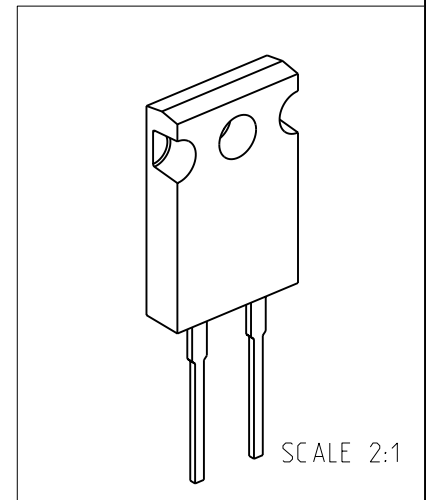
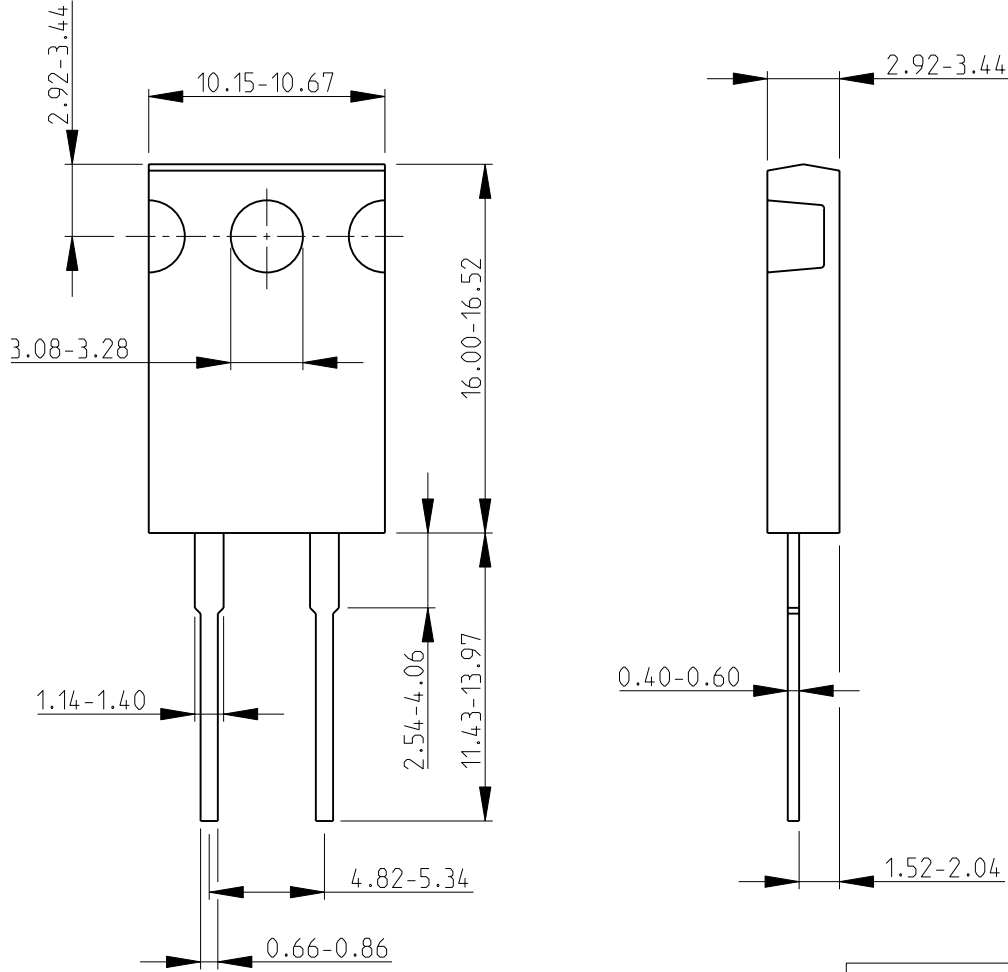


LOC	DIST	REVISIONS					
E	B	P	LTR	DESCRIPTION	DATE	DWN	APVD
			BA	NEW RELEASE	18-NOV-08	SM	St.P

FOR FURTHER INFORMATION SEE DATA SHEET FOR
MPT SERIES-THICK FILM POWER RESISTORS



RoHS Compliant

2008

RELEASED FOR PUBLICATION

THIS DRAWING IS UNPUBLISHED.

© COPYRIGHT 2008 BY TYCO ELECTRONICS CORPORATION. ALL RIGHTS RESERVED.

DIMENSIONS: mm	DWN	SUBHASH.M	18-NOV-08	MATERIAL	-	FINISH	-
	CHK	PRAKASH.S	18-NOV-08	Tyco Electronics Tyco Electronics Corporation Dorcan, Swindon, SN3 5HH			
TOLERANCES UNLESS OTHERWISE SPECIFIED:	APVD	STEPHEN.P	18-NOV-08				
	0 PLC	±0.2	THICK FILM POWER RESISTORS				
1 PLC	±0.1	SERIES MPT30					
2 PLC	±	PRODUCT SPEC	-	SIZE	A 4	CAGE CODE	00779
3 PLC	±	APPLICATION SPEC	-	DRAWING NO	©=1879356		RESTRICTED TO
4 PLC	±	WEIGHT	-	CUSTOMER DRAWING			-
ANGLES	±5°	SCALE				3:1	SHEET
				SCALE		3:1	SHEET
						1	OF
						1	REV
							BA