

THIS DRAWING IS UNPUBLISHED.

RELEASED FOR PUBLICATION

2011

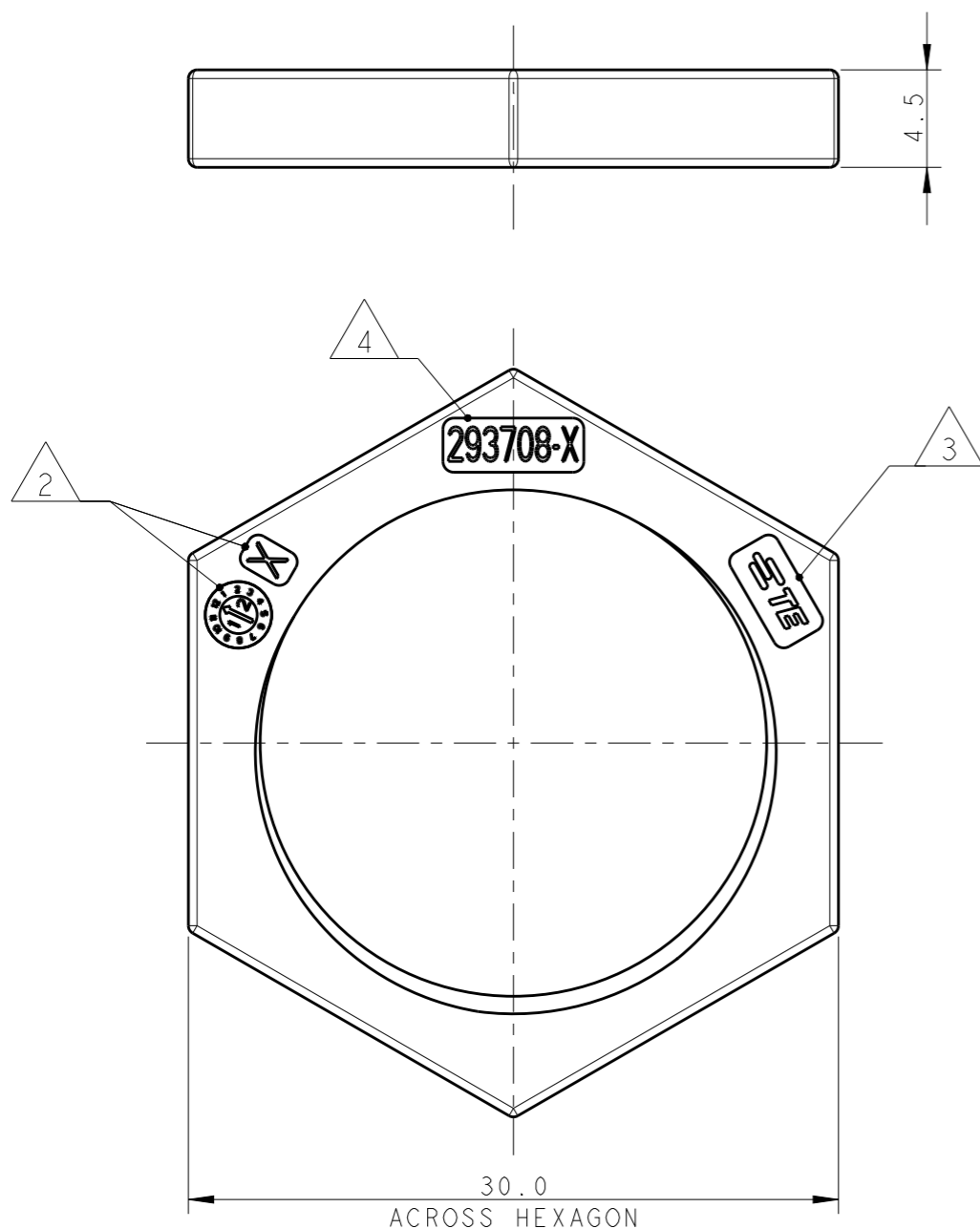
© COPYRIGHT 2011

ALL RIGHTS RESERVED.

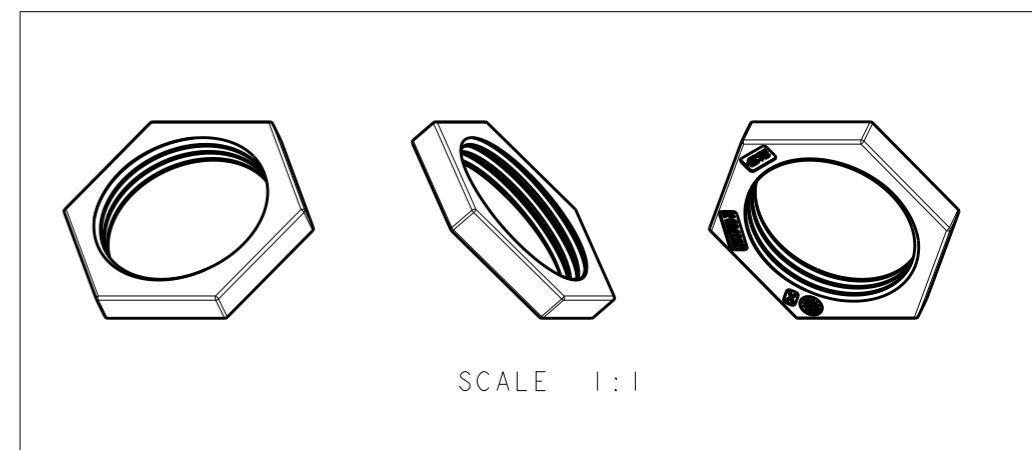
LOC	DIST	REVISIONS			
P	LTR	DESCRIPTION	DATE	DWN	APVD
	3	PN CHANGED ON TABLE	22JUL2011	AB	GT
	A	RELEASED ACC. TO ECR-11-021683	25OCT2011	AB	GT
	A1	PART RELEASED FOR PRODUCTION	15NOV2013	KR	JC
	A2	REVISED	24DEC2013	KR	JC

NOTE:

- 1 MATERIAL: PA GF (NATURAL AND BLACK COLOUR)
- 2 DATE CLOCK AND MOULD IMPRESSION ID
- 3 AREA FOR TE LOGO
- 4 TE PART NUMBER



NOTE	COLOUR	DESCRIPTION	REV.	PART NUMBER
1	BLACK	SCREW NUT FOR PANEL MOUNT NECTOR* M-LINE 5, 6, 7 POLES	A	1-293708-1
1	NATURAL	SCREW NUT FOR PANEL MOUNT NECTOR* M-LINE 5, 6, 7 POLES	A	293708-1



THIS DRAWING IS A CONTROLLED DOCUMENT.		DWN A. BERNARDI 21JAN2011	TE Connectivity	
DIMENSIONS: mm		CHK M. ZUCCA 21JAN2011		
TOLERANCES UNLESS OTHERWISE SPECIFIED:		APVD G. TURCO 21JAN2011	NAME SCREW NUT 5,6,7 POLES FOR PANEL MOUNT VERSION M-LINE NECTOR	
		PRODUCT SPEC 108-20324	RESTRICTED TO	
0 PLC ± 1 PLC ±0.3 2 PLC ±0.20 3 PLC ± 4 PLC ± ANGLES ±3°		APPLICATION SPEC 114-20169	SIZE A300779	CAGE CODE C-293708
MATERIAL -		WEIGHT -	DRAWING NO	
FINISH -		Customer Drawing		SCALE 3:1
		SHEET 1 OF 1		REV A2