

## Type 4, 4X Mild Steel and Stainless Steel Turret Units *Series 2000*

### Modular Console System



### Application

- Ideal as a housing for video screens.
- Flexible design provides panel mount or rack mount capabilities for a variety of applications.
- Generally used in combination with other modular console components (ie. base, pedestal, and/or desk).
- Available in either Standard (supported by Base, Pedestal, or Standard Desk) or Deep (supported by Deep Desk only) format.
- Smooth lines and clean edges provide an attractive, contemporary appearance.

### Standards

- UL 508 Type 3R, 4, 12
- CSA Type 3R, 4, 12, 13
- EIA RS-310-D
- Complies with
  - NEMA Type 3R, 4, 12
  - IEC 60529, IP66

### Construction

- UL 508 Type 3R, 4, 4X, 12
- CSA Type 3R, 4, 4X, 12
- EIA RS-310-D
- Complies with
  - NEMA Type 3R, 4, 4X, 12
  - IEC 60529, IP66

### Finish

- Formed 14 gauge steel bodies with 14 gauge steel doors. Also offered with formed 14 gauge 304 stainless steel bodies with 14 gauge 304 stainless steel doors.
- Smooth, continuously welded seams without knockouts or holes.
- Body stiffeners are provided where required for increased strength and rigidity.
- Offered in 4 widths 24", 36", 48" and 60".
- Features solid sides and top, solid door on front (opens down) and back (opens up), and open bottom.
- Front door features sliding rod mechanism, which allows a 102° opening when in the lowered position.
- Rear door features manual, 3 position adjustable door stop which provides convenient support while door in open position.
- Formed lip on enclosure excludes flowing liquids and contaminants.
- Slotted quarter turn oil-tight latches secure the door, with optional tamper



resistant and locking latches available.

- Stainless steel models utilize stainless steel hardware.
- Oil resistant gaskets are permanently secured and mechanically retained.
- Features several internal stud locations for mounting of various accessories.
- A bonding screw is provided on the door and a grounding stud is provided in the enclosure.

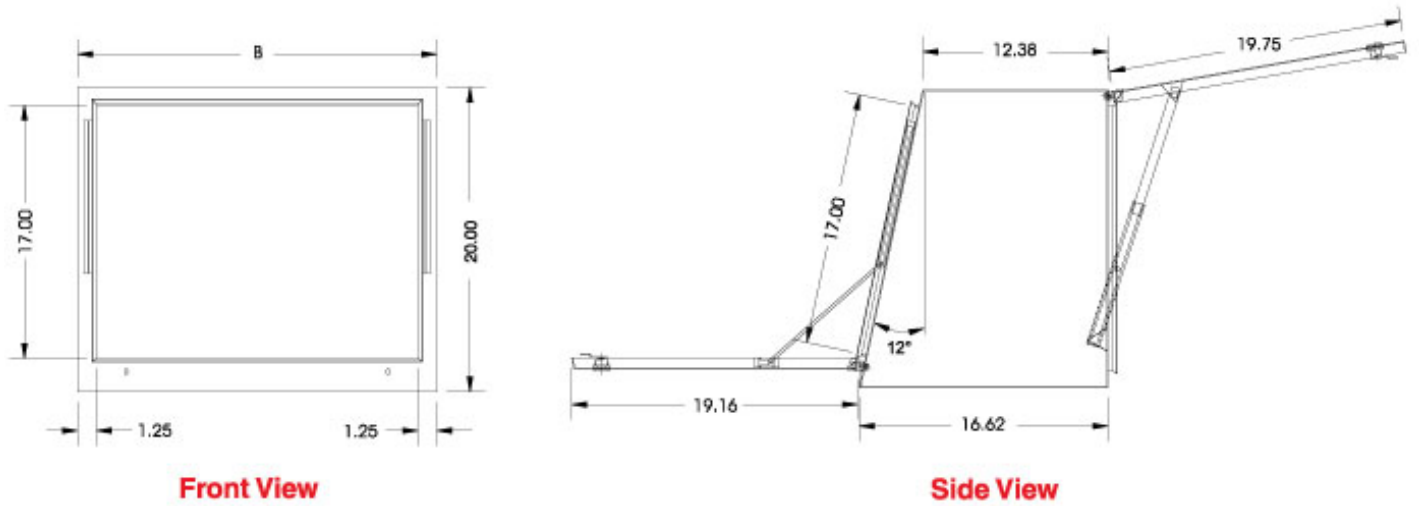
## **Accessories**

- Available in RAL 7035 light gray textured powder coating and natural stainless steel with a smooth, brushed finish.
- 24" Front Window Door available in same finishes.

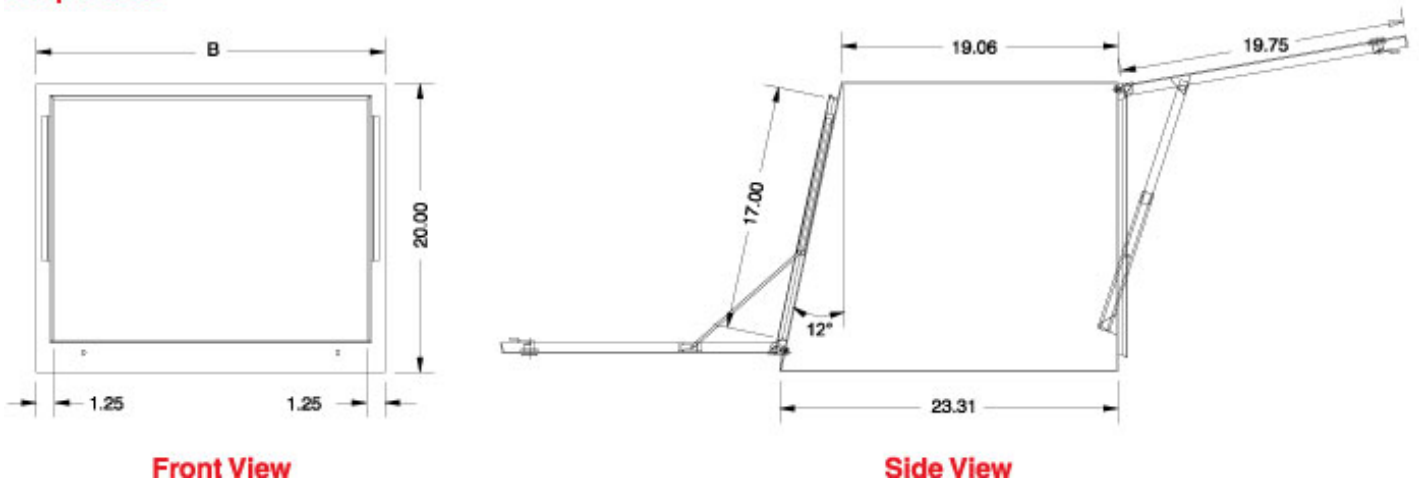
## **Accessories**

- Cooling Products
- Filtered Fans
- Heaters
- Modular Plinth
- Turret/Terminal Window Door
- "C" Channel Mounting Kit
- Combination Rails
- Gas Filled Door Support
- 24 to 19 Inch Rack Rail Reducer Panel
- Side Support Angles
- Four Post Mounting Fixed Chassis Shelf
- Two Post Mounting Storage Shelf
- Blowers and Fans
- Rack Mount Fan Tray
- Pedestal
- Footrest
- Swing Frame
- Rail Support Kit
- CRT Mounting Kit
- Steel Rack Panels
- Rack Mount Locking Storage Drawer
- Four Post Mounting Equipment Slides
- Equipment Support Rack Panel

## Standard Turret



## Deep Turret



### Standard Turret

| RAL 7035 Light Gray Part No. | Stainless Steel Part No. | B     |
|------------------------------|--------------------------|-------|
| 2CLT202436                   | 2CST202436               | 24.00 |
| 2CLT203636                   | 2CST203636               | 36.00 |
| 2CLT204836                   | 2CST204836               | 48.00 |
| 2CLT206036                   | 2CST206036               | 60.00 |

### Deep Turret

| RAL 7035 Light Gray Part No. | Stainless Steel Part No. | B     |
|------------------------------|--------------------------|-------|
| 2CLT202443                   | 2CST202443               | 24.00 |
| 2CLT203643                   | 2CST203643               | 36.00 |
| 2CLT204843                   | 2CST204843               | 48.00 |
| 2CLT206043                   | 2CST206043               | 60.00 |

*Data subject to change without notice*