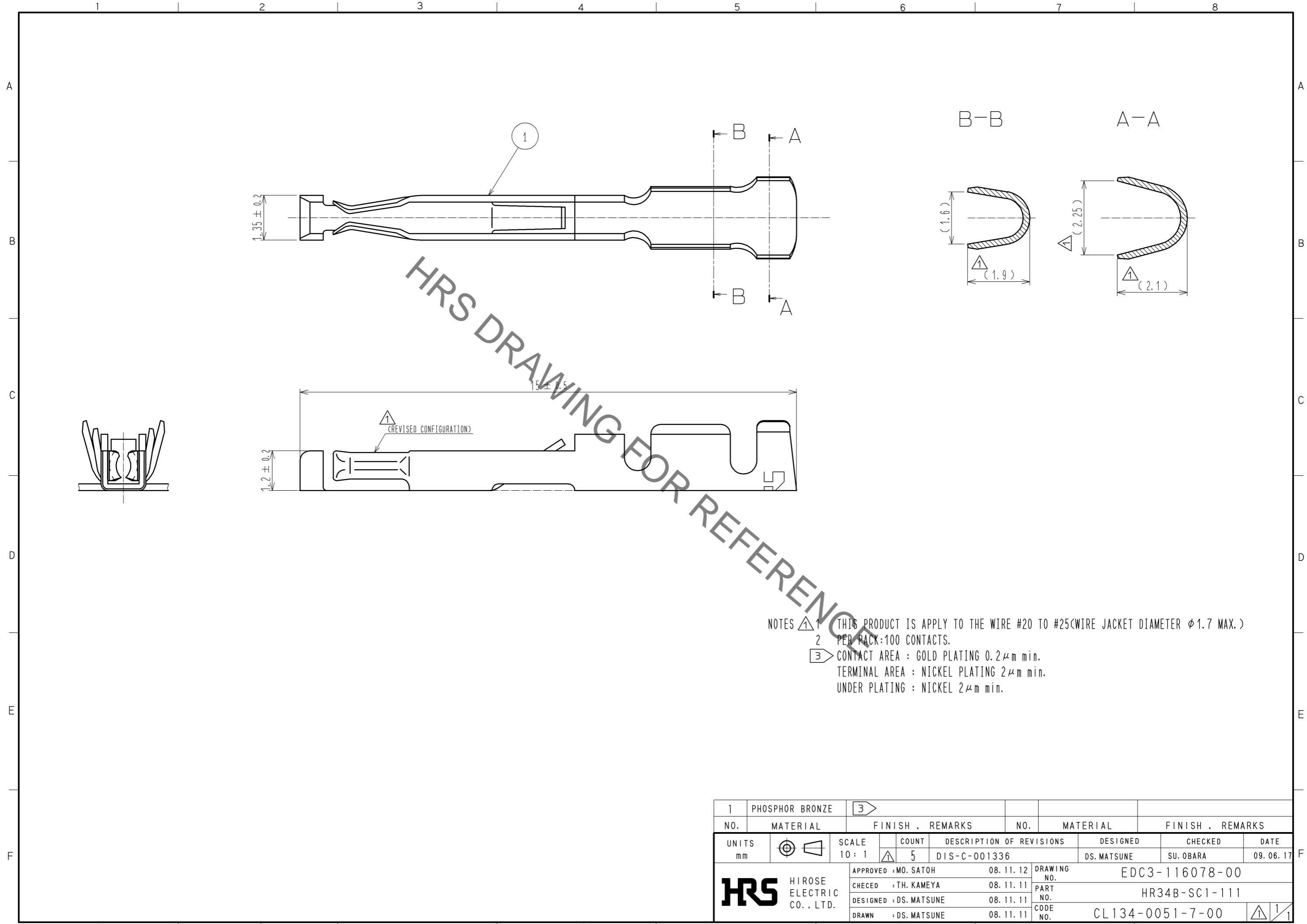


Jul.1.2019 Copyright 2019 HIROSE ELECTRIC CO., LTD. All Rights Reserved.  
 In case of consideration for using Automotive equipment / device which demand high reliability, kindly contact our sales window correspondents.



NOTES 1 THIS PRODUCT IS APPLY TO THE WIRE #20 TO #25(WIRE JACKET DIAMETER  $\phi$ 1.7 MAX.)  
 2 PER PACK:100 CONTACTS.  
 3 CONTACT AREA : GOLD PLATING 0.2 $\mu$ m min.  
 TERMINAL AREA : NICKEL PLATING 2 $\mu$ m min.  
 UNDER PLATING : NICKEL 2 $\mu$ m min.

1	PHOSPHOR BRONZE	3						
NO.	MATERIAL	FINISH .	REMARKS	NO.	MATERIAL	FINISH .	REMARKS	
UNITS		SCALE	COUNT	DESCRIPTION OF REVISIONS		DESIGNED	CHECKED	DATE
mm		10:1	5	DIS-C-001336		DS. MATSUNE	SU. OBARA	09.06.17
<b>HRS</b> HIROSE ELECTRIC CO., LTD.		APPROVED : MO. SATOH	08.11.12	DRAWING NO.		EDC3-116078-00		
		CHECED : TH. KAMEYA	08.11.11	PART NO.		HR34B-SC1-111		
		DESIGNED : DS. MATSUNE	08.11.11	CODE NO.		CL134-0051-7-00		
		DRAWN : DS. MATSUNE	08.11.11					