

REVISIONS				
P	LR	DESCRIPTION	DATE	APPV
AD3	REVISED PER	ECR-16-017378	22DEC2016	LN RS

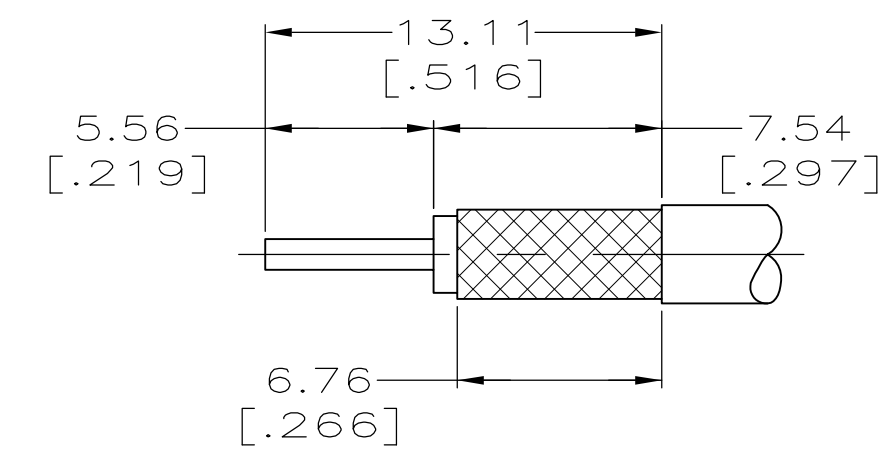
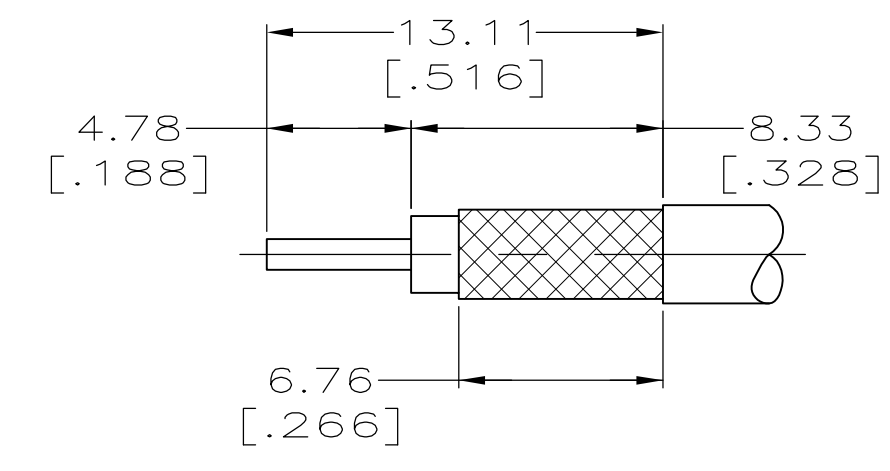
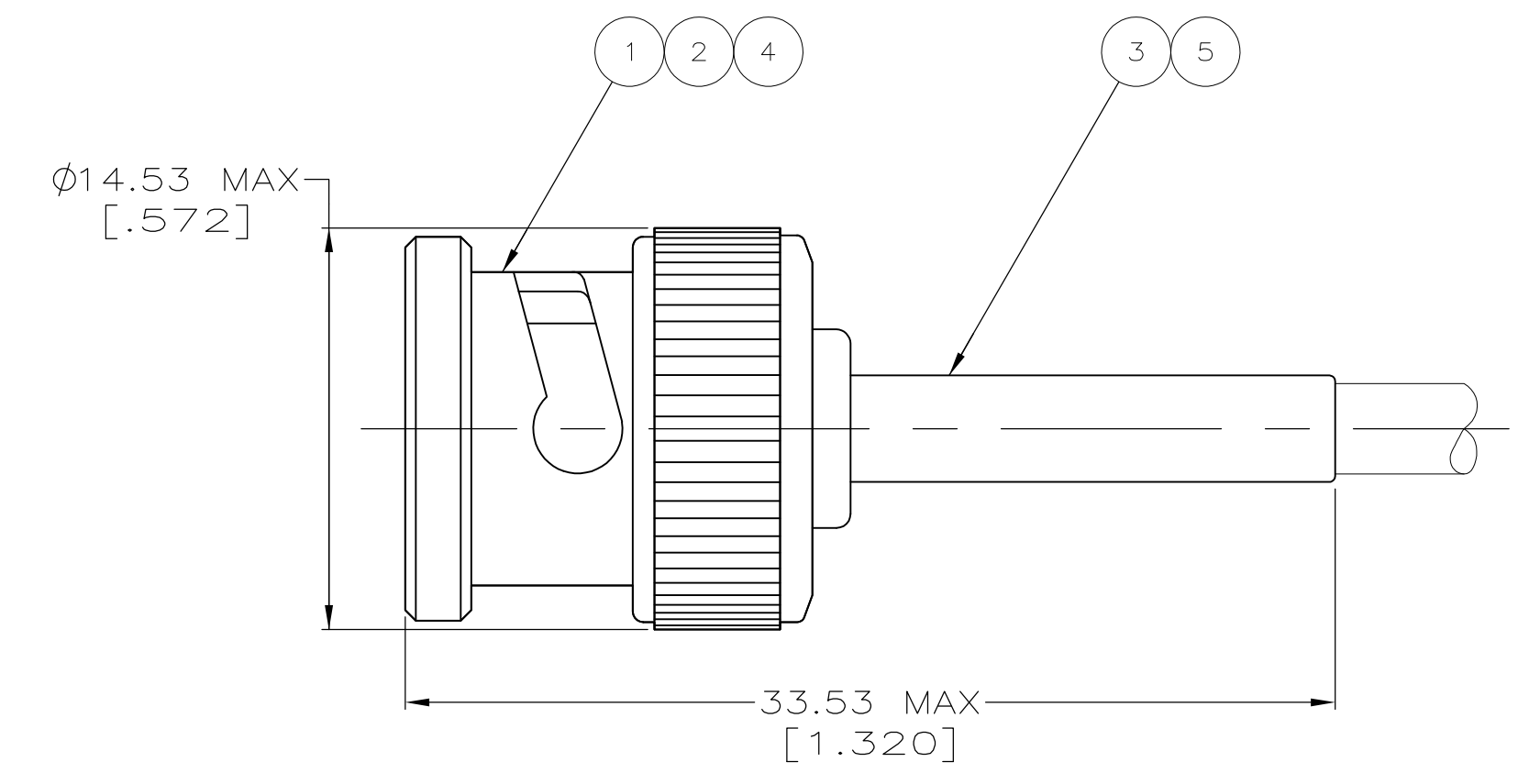


FIGURE 1
FIGURE 2
RECOMMENDED STRIP LENGTH

- ① CABLE USED WITHOUT SPACER
- ② CABLE USED WITH SPACER
- 3. SEE I.S. 9021
- 4. PARTS PACKAGED UNASSEMBLED
- ⑤ USE AMP HAND TOOL: 220190-1
- ⑥ SPECIAL PACKAGING: INDIVIDUALLY PACKAGED IN PRE-PRINTED BAG WITH SPECIAL GRAPHICS
- ⑦ CONNECTOR INDIVIDUALLY PACKAGED
- ⑧ BULK PACKAGE
- ⑨ RG-188/U, 316/U TYPE DOUBLE BRAID AND JIS CABLES 1.5D-2V, 1.5D-XV & 1.5D-XVS
- ⑩ SPECIAL PACKAGING: BULK PACKAGE 25 PIECES

OBSOLETE	⑥	RG-59/U, 59A/U, 59B/U	6.48 [.255]	1.73 [.068]	58465-1	FIG 1	-	227423-1	9-221132-1	222246-6	413636-2	9-221128-9
OBSOLETE	⑥	BELDEN 9907, 89907 & RG-141/U	5.41 [.213]	1.73 [.068]	58465-1	FIG 1	-	-	9-221132-0	1-222246-6	413636-1	9-221128-8
OBSOLETE	⑥	RG-180/U, 195/U	4.52 [.178]	1.73 [.068]	58465-3	FIG 1	-	-	9-413658-1	1-222246-3	413636-3	9-221128-7
	⑥	RG-179/U, 187/U	4.52 [.178]	1.73 [.068]	58465-3	FIG 1	227194-1	-	9-413658-0	1-222246-3	413636-3	9-221128-6
	⑥	RG-174/U, 188/U, 316/U	4.52 [.178]	1.73 [.068]	58465-3	FIG 1	227194-1	-	9-413658-0	1-222246-0	413636-3	9-221128-5
OBSOLETE	⑥	RG-58/U, 58A/U, 58B/U, 58C/U	5.41 [.213]	1.73 [.068]	58465-1	FIG 1	-	-	9-221132-0	222246-5	413636-1	9-221128-4
OBSOLETE	⑦	BELDEN 8281	8.23 [.324]	1.73 [.068]	58465-2	FIG 1	-	-	9-221132-2	222246-2	413636-4	9-221128-3
OBSOLETE	① ② ③	RG-62/U, 62A/U, 62B/U	6.48 [.255]	1.73 [.068]	58465-1	FIG 2	-	-	9-221132-2	222246-2	413636-4	9-221128-3
OBSOLETE	① ② ③	RG-59/U, 59A/U, 59B/U	6.48 [.255]	1.73 [.068]	58465-1	FIG 1	-	227423-1	9-221132-1	222246-4	413636-2	9-221128-2
OBSOLETE	⑥	RG-58/U, 58A/U, 58B/U, 58C/U	5.41 [.213]	1.73 [.068]	58465-1	FIG 1	-	-	9-221132-0	222246-2	413636-1	9-221128-1
OBSOLETE	⑥	RG-58/U, 58A/U, 58B/U, 58C/U	5.41 [.213]	1.73 [.068]	58465-1	FIG 1	-	-	9-221132-0	222246-2	413636-1	9-221128-0
OBSOLETE	⑥	BELDEN 1167A	4.52 [.178]	1.73 [.068]	58465-3	FIG 1	-	-	9-413658-1	1-222246-0	413636-3	3-221128-4
OBSOLETE	⑩	JIS CABLE 3D-2V	4.52 [.178]	1.73 [.068]	58465-3	FIG 1	227194-1	-	9-413658-2	1-222246-0	413636-3	3-221128-2
SUPERSEDED BY 2-221128-5	⑥	RG-180/U, 195/U	4.52 [.178]	1.73 [.068]	58465-3	FIG 1	-	-	8-221132-9	1-222246-6	413636-6	3-221128-1
OBSOLETE	-	BELDEN 9907, 89907 & RG-141/U	5.41 [.213]	1.73 [.068]	58465-3	FIG 1	227194-1	-	9-413658-1	1-222246-3	413636-3	3-221128-0
	⑥	RG-180/U, 195/U	4.52 [.178]	1.73 [.068]	58465-3	FIG 1	-	-	9-413658-2	1-222246-0	413636-3	2-221128-9
	⑥	RG-179/U, 187/U	4.52 [.178]	1.73 [.068]	58465-3	FIG 1	-	-	9-221132-0	1-222246-6	413636-1	2-221128-7
	⑥	RG-174/U, 188/U, 316/U	4.52 [.178]	1.73 [.068]	58465-3	FIG 1	-	-	9-413658-1	1-222246-3	413636-3	2-221128-5
SUPERSEDED BY 2-5221128-1	⑥	RG-174/U, 188/U, 316/U	4.52 [.178]	1.73 [.068]	58465-3	FIG 1	227194-1	-	9-413658-0	1-222246-0	413636-3	2-221128-1
OBSOLETE	⑥	RG-58/U, 58A/U, 58B/U, 58C/U	5.41 [.213]	1.73 [.068]	58465-1	FIG 1	-	-	9-221132-0	222246-5	413636-1	2-221128-0
SUPERSEDED BY 1-221128-2	⑥	BELDEN 8281	8.23 [.324]	1.73 [.068]	58465-2	FIG 1	-	-	9-221132-2	222246-5	413636-4	1-221128-9
	⑥	RG-59/U, 59A/U, 59B/U	6.48 [.255]	1.73 [.068]	58465-1	FIG 1	-	227423-1	9-221132-1	222246-6	413636-2	1-221128-8
	⑥	BELDEN 9266	6.48 [.255]	1.73 [.068]	58465-1	FIG 1	-	-	9-221132-1	222246-2	413636-2	1-221128-7
OBSOLETE	-	BELDEN 9209	6.48 [.255]	1.73 [.068]	58465-1	FIG 1	-	-	9-221132-1	222246-6	413636-5	1-221128-6
SUPERSEDED BY 1-221128-2	⑥	BELDEN 8281	8.23 [.324]	1.73 [.068]	58465-2	FIG 1	-	-	9-221132-2	222246-5	413636-4	1-221128-5
	① ② ③	RG-62/U, 62A/U, 62B/U	6.48 [.255]	1.73 [.068]	58465-1	FIG 2	-	-	9-221132-1	222246-6	413636-2	1-221128-4
	① ② ③	RG-59/U, 59A/U, 59B/U	6.48 [.255]	1.73 [.068]	58465-1	FIG 1	-	227423-1	9-221132-1	222246-6	413636-2	1-221128-4
	⑥	RG-58/U, 58A/U, 58B/U, 58C/U	5.41 [.213]	1.73 [.068]	58465-1	FIG 1	-	-	9-221132-0	222246-5	413636-1	1-221128-3
OBSOLETE	⑥	BELDEN 8281	8.23 [.324]	1.73 [.068]	58465-2	FIG 1	-	-	9-221132-2	222246-2	413636-4	1-221128-2
	① ② ③	RG-62/U, 62A/U, 62B/U	6.48 [.255]	1.73 [.068]	58465-1	FIG 2	-	-	9-221132-1	222246-4	413636-2	1-221128-1
	⑥	RG-59/U, 59A/U, 59B/U	6.48 [.255]	1.73 [.068]	58465-1	FIG 1	-	227423-1	9-221132-1	222246-4	413636-2	1-221128-1
	⑥	RG-58/U, 58A/U, 58B/U, 58C/U	5.41 [.213]	1.73 [.068]	58465-1	FIG 1	-	-	9-221132-0	222246-2	413636-1	1-221128-0
OBSOLETE	-	BELDEN 8281	8.23 [.324]	1.73 [.068]	58465-2	FIG 1	-	-	9-221132-2	222246-7	413636-4	221128-9
	① ②	RG-62/U, 62A/U, 62B/U	6.48 [.255]	1.73 [.068]	58465-1	FIG 2	-	-	9-221132-1	222246-8	413636-2	221128-8
	① ②	RG-59/U, 59A/U, 59B/U	6.48 [.255]	1.73 [.068]	58465-1	FIG 1	-	227423-1	9-221132-1	222246-8	413636-2	221128-8
	-	RG-58/U, 58A/U, 58B/U, 58C/U	5.41 [.213]	1.73 [.068]	58465-1	FIG 1	-	-	9-221132-0	222246-7	413636-1	221128-7
SUPERSEDED BY 221128-3	-	BELDEN 8281	8.23 [.324]	1.73 [.068]	58465-2	FIG 1	-	-	9-221132-2	222246-5	413636-4	221128-6
SUPERSEDED BY 221128-2	① ②	RG-62/U, 62A/U, 62B/U	6.48 [.255]	1.73 [.068]	58465-1	FIG 2	-	-	9-221132-1	222246-6	413636-2	221128-5
	① ②	RG-59/U, 59A/U, 59B/U	6.48 [.255]	1.73 [.068]	58465-1	FIG 1	-	227423-1	9-221132-1	222246-6	413636-2	221128-5
SUPERSEDED BY 221128-1	-	RG-58/U, 58A/U, 58B/U, 58C/U	5.41 [.213]	1.73 [.068]	58465-1	FIG 1	-	-	9-221132-0	222246-5	413636-1	221128-4
OBSOLETE	-	BELDEN 8281	8.23 [.324]	1.73 [.068]	58465-2	FIG 1	-	-	9-221132-2	222246-2	413636-4	221128-3
	① ②	RG-62/U, 62A/U, 62B/U	6.48 [.255]	1.73 [.068]	58465-1	FIG 2	-	-	9-221132-1	222246-4	413636-2	221128-2
	-	RG-59/U, 59A/U, 59B/U	6.48 [.255]	1.73 [.068]	58465-1	FIG 1	-	-	9-221132-0	222246-2	413636-1	221128-1
	-	RG-58/U, 58A/U, 58B/U, 58C/U	5.41 [.213]	1.73 [.068]	58465-1	FIG 1	-	-	9-221132-0	222246-2	413636-1	221128-1

REMARKS	FOR USE WITH CABLE	FERRULE HEX CRIMP HEIGHTS	CONTACT	DIE SET	STRIP LENGTH	TUBING QTY=1	SPACER QTY=1	FERRULE QTY=1	CONTACT, PLUG QTY=1	PLUG ASSEMBLY QTY=1	PART NUMBER
				⑤	⑤	④	③	②	①		

THIS DRAWING IS A CONTROLLED DOCUMENT.

DIMENSIONS: mm [INCHES]

TOLERANCES UNLESS OTHERWISE SPECIFIED:

0 PLC	± .01
1 PLC	± .01
2 PLC	± .01
3 PLC	± 0.41 [016]
4 PLC	± .01
ANGLES	± .01

MATERIAL: - FINISH: -

DIN 11-18-92
M. E. COWHER 1-29-93

APVD M. PHILLIPS 1-29-93

PRODUCT SPEC

APPLICATION SPEC

SIZE: A1

WEIGHT: 0.000000

CUSTOMER DRAWING

STE TE Connectivity

PLUG,
COMMERCIAL BNC

SCALE: 4:1 SHEET 1 OF 1 REV AD3