

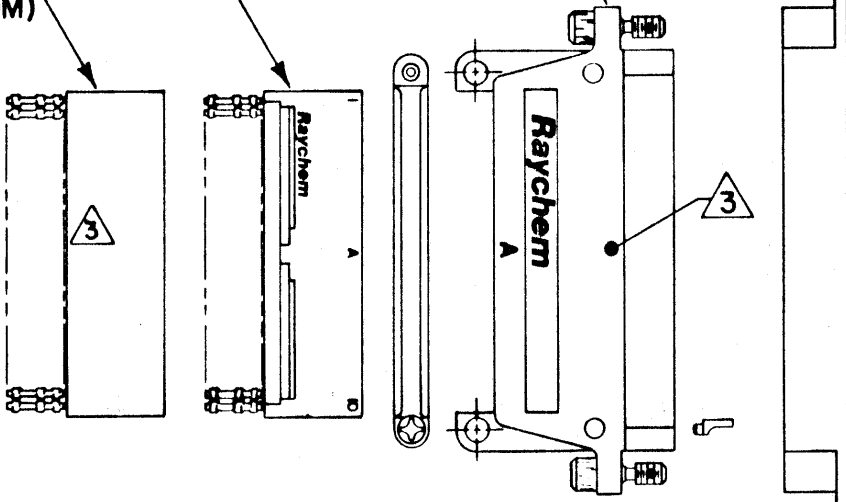
REVISIONS			
LTR	DESCRIPTION	DATE	APPROVED
N/C	INITIAL RELEASE, ECN* T-4031	2-23-83	73

HOUSING ASSEMBLY

A WAFER (TOP)

B WAFER (BOTTOM)

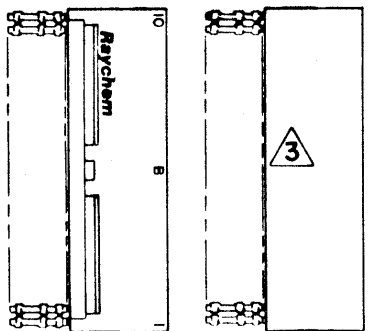
TYPICAL WAFER INSERTION INTO HOUSING



NOTES:

- THIS KIT CONSIST OF THE FOLLOWING ITEMS:
    - MTC100-JHI - P22 HOUSING
    - MTC100-JAI - S14 A SKT WAFER
    - MTC100-JBI - S14 B SKT WAFER
  - FOR DETAIL DATA, REFER TO THE APPLICABLE RAYCHEM SPECIFICATION CONTROL DRAWING.
- 3 PART NUMBER AND DATE CODE MARKED ON THIS SIDE

REVERSE SIDE OF WAFERS



SPECIFICATION CONTROL DRAWING © Raychem Corporation 1983

DRAWN	Jamal	2-23-83	<b>Raychem</b>		RAYCHEM CORPORATION 300 CONSTITUTION DRIVE MENLO PARK, CALIFORNIA 94025	
CHECKED						
APPROVED	Blain	2-23-83	TITLE KIT, 1", PLUG, SOCKET WAFERS WITH PRE-ASSEMBLED SOLDER SLEEVE® TERMINATOR, FOR 20-26 AWG ROUND WIRE, 125° C OPERATING TEMPERATURE, MTC100			
APPROVED	Phy	2-21-87				
UNLESS OTHERWISE SPECIFIED DIMENSIONS ARE IN INCHES. METRIC DIMENSIONS ARE IN PARENTHESIS			SIZE	CODE IDENT. NO.	DWG. NO.	
DO NOT SCALE THIS DRAWING			B	06090	MTC100-KTI -0080	
			WEIGHT		SHEET 1 OF 1	

If this document is printed it becomes uncontrolled. Check with the web for latest revision.