

# LCR 084M

## Medical Filtered Power Entry Modules with Double Fuse Holder and Switch



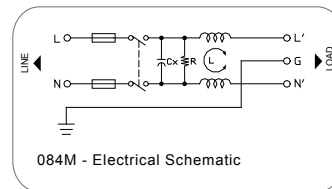
### Features

Low leakage current, compact integrated power entry module with two safety fuses (on line and neutral) and on/off switch. Easy to use and install with QD tabs or solder terminals.



### Typical Applications

Medical or low leakage current compact design electronic equipment with high safety and protection requirements.

### Electrical Schematic



Ordering Part Number System for 084(M) series / Switch Options

Code	SR	SB
Type	 Switch-Red Illuminate	 Switch-BLK

### Specifications

Rated Voltage Max. (V)	250 VAC Max.
Rated Current (A)	1-10 A @ 40°C
Operating Frequency (Hz)	50/60 Hz
Hipot Rating	
Line to Line	1450 VDC
Line to Ground	2250 VDC
Case	Plated Steel
Packaging Quantity	90 Pcs per Carton

Leakage Current	
@ 250 VAC 50 Hz	10 µA Max.
@ 115 VAC 60 Hz	5 µA Max.
IP Class	IP51
Climatic Category (EN-60068-1)	25/85/21

Model No.	Rated Current (A) @ 40°C	Mechanical Diagram	Unit Weight (g)	Terminal Options	
				In	Out
084M.00101.00	1	A/B	92	IEC Inlet Socket	QD 6.35*0.8
084M.00301.00	3	A/B	93	IEC Inlet Socket	QD 6.35*0.8
084M.00302.00	3	A/B	93	IEC Inlet Socket	QD 4.80*0.8
084M.00601.00	6	A/B	94	IEC Inlet Socket	QD 6.35*0.8
084M.01001.00	10	A/B	100	IEC Inlet Socket	QD 6.35*0.8

Specifications are subject to change. Consult factory to verify specifications.

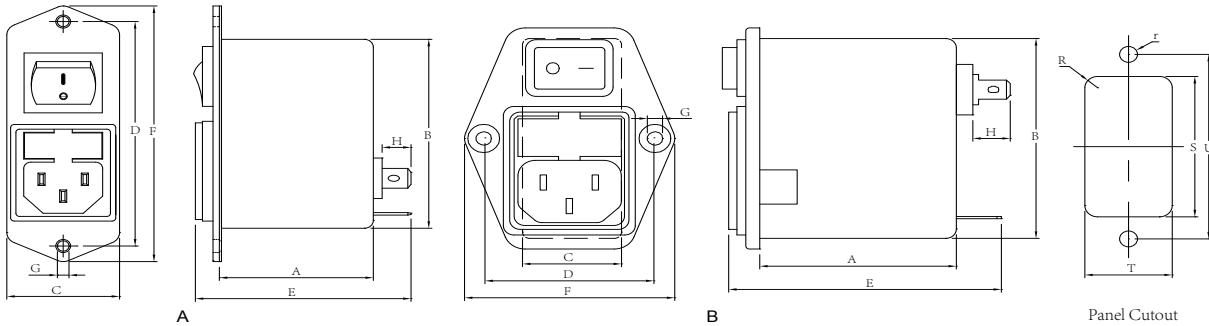
For more information on our filter products call us at: (800) 527-4362 or (714) 289-0055  
LCR, Radius Power, and Filter Concepts are now part of Astrodyne TDI

# LCR 084M

## Medical Filtered Power Entry Modules with Double Fuse Holder and Switch



### LCR 084M Mechanical Outlines



### LCR 084M Mechanical Dimensions (mm)

Model No.	A	B	C	D	E	F	G	H	R	S	T	U	r
084M.00101.00	43.7	60.6	32	72	61	82	2*Φ4.0	8.8	2.5	61	30.0	72	2.1
084M.00301.00	43.7	60.6	32	72	61	82	2*Φ4.0	8.8	2.5	61	30.0	72	2.1
084M.00302.00	46.0	53.0	29	40	61	55	2*Φ3.2	8.5	2.5	56	29.5	40	1.6
084M.00601.00	43.7	60.6	32	72	61	82	2*Φ4.0	8.8	2.5	61	30.0	72	2.1
084M.01001.00	43.7	60.6	32	72	61	82	2*Φ4.0	8.8	2.5	61	30.0	72	2.1

### LCR 084M Insertion Loss in dB Measured in a 50 Ω System

