

LCR 084M

Medical Filtered Power Entry Modules with Double Fuse Holder and Switch



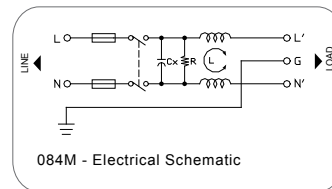
Features

Low leakage current, compact integrated power entry module with two safety fuses (on line and neutral) and on/off switch. Easy to use and install with QD tabs or solder terminals.



Typical Applications

Medical or low leakage current compact design electronic equipment with high safety and protection requirements.

Electrical Schematic



Ordering Part Number System for 084(M) series / Switch Options

Code	SR	SB
Type	 Switch-Red Illuminate	 Switch-BLK

Specifications

Rated Voltage Max. (V)	250 VAC Max.
Rated Current (A)	1-10 A @ 40°C
Operating Frequency (Hz)	50/60 Hz
Hipot Rating	
Line to Line	1450 VDC
Line to Ground	2250 VDC
Case	Plated Steel
Packaging Quantity	90 Pcs per Carton

Leakage Current	
@ 250 VAC 50 Hz	10 µA Max.
@ 115 VAC 60 Hz	5 µA Max.
IP Class	IP51
Climatic Category (EN-60068-1)	25/85/21

Model No.	Rated Current (A) @ 40°C	Mechanical Diagram	Unit Weight (g)	Terminal Options	
				In	Out
084M.00101.00	1	A/B	92	IEC Inlet Socket	QD 6.35*0.8
084M.00301.00	3	A/B	93	IEC Inlet Socket	QD 6.35*0.8
084M.00302.00	3	A/B	93	IEC Inlet Socket	QD 4.80*0.8
084M.00601.00	6	A/B	94	IEC Inlet Socket	QD 6.35*0.8
084M.01001.00	10	A/B	100	IEC Inlet Socket	QD 6.35*0.8

Specifications are subject to change. Consult factory to verify specifications.

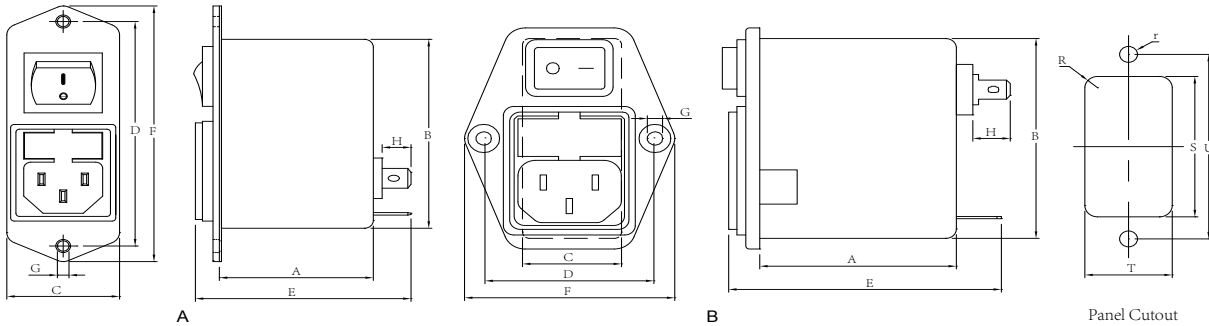
For more information on our filter products call us at: (800) 527-4362 or (714) 289-0055
LCR, Radius Power, and Filter Concepts are now part of Astrodyne TDI

LCR 084M

Medical Filtered Power Entry Modules with Double Fuse Holder and Switch



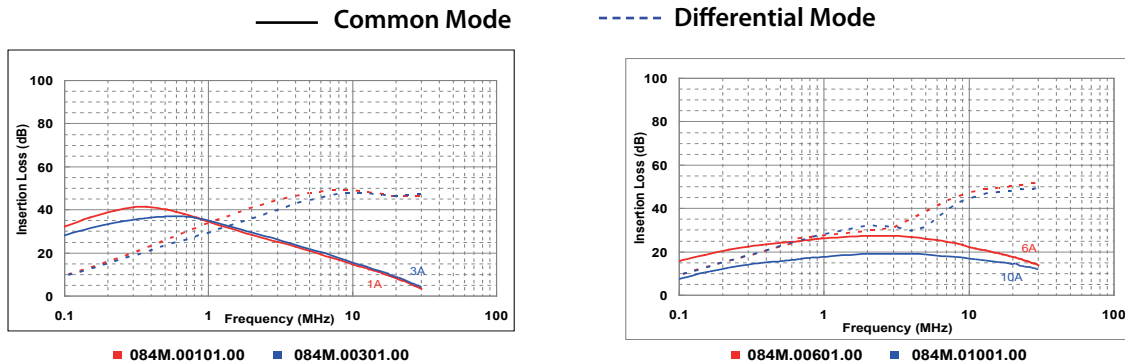
LCR 084M Mechanical Outlines



LCR 084M Mechanical Dimensions (mm)

Model No.	A	B	C	D	E	F	G	H	R	S	T	U	r
084M.00101.00	43.7	60.6	32	72	61	82	2*Φ4.0	8.8	2.5	61	30.0	72	2.1
084M.00301.00	43.7	60.6	32	72	61	82	2*Φ4.0	8.8	2.5	61	30.0	72	2.1
084M.00302.00	46.0	53.0	29	40	61	55	2*Φ3.2	8.5	2.5	56	29.5	40	1.6
084M.00601.00	43.7	60.6	32	72	61	82	2*Φ4.0	8.8	2.5	61	30.0	72	2.1
084M.01001.00	43.7	60.6	32	72	61	82	2*Φ4.0	8.8	2.5	61	30.0	72	2.1

LCR 084M Insertion Loss in dB Measured in a 50 Ω System



Specifications are subject to change. Consult factory to verify specifications.

For more information on our filter products call us at: (800) 527-4362 or (714) 289-0055

LCR, Radius Power, and Filter Concepts are now part of Astrodyne TDI