

Electronic housing - UEGM 22,5-FS/FS - 2792073

Please be informed that the data shown in this PDF Document is generated from our Online Catalog. Please find the complete data in the user's documentation. Our General Terms of Use for Downloads are valid (<http://phoenixcontact.com/download>)




Electronic housing, for PCB insertion, fully equipped with 3 screw or 6 tab connections per side

Your advantages

- ✓ Cost-effective series production, since the base element and the assembled PCB are soldered by machine
- ✓ Complex electronic circuits can be integrated, with up to 24 connections on two levels
- ✓ Can be snapped onto standard NS 35/7,5 and NS 35/15 DIN rails
- ✓ Efficient assembly thanks to overlapping housing parts

Key Commercial Data

Packing unit	10 pc
GTIN	 4 017918 072544
GTIN	4017918072544

Technical data

General

Housing type	Complete housing
Housing material	Polyamide (PA 6.6)
Color (RAL)	green

Ambient conditions

Ambient temperature (operation)	-40 °C ... 105 °C
---------------------------------	-------------------

Dimensions

Length	101 mm
Height	85.5 mm
Width	22.5 mm
Depth	101 mm

Technical data

Electronic housing - UEGM 22,5-FS/FS - 2792073

Technical data

Technical data

Power dissipation without gap	4 W
Power dissipation with 20 mm gap	10 W
Number of positions	12

Connection data

Conductor cross section solid min.	0.2 mm ²
Conductor cross section solid max.	4 mm ²
Conductor cross section flexible min.	0.2 mm ²
Conductor cross section flexible max.	2.5 mm ²
Conductor cross section AWG min.	24
Conductor cross section AWG max.	12

Standards and Regulations

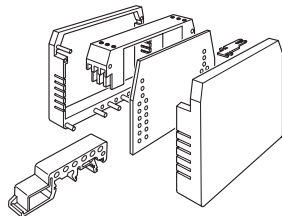
Flammability rating according to UL 94	V2
----------------------------------------	----

Environmental Product Compliance

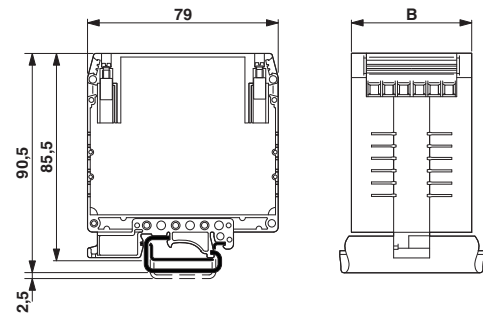
China RoHS	Environmentally friendly use period: unlimited = EFUP-e
	No hazardous substances above threshold values

Drawings

Explosion drawing

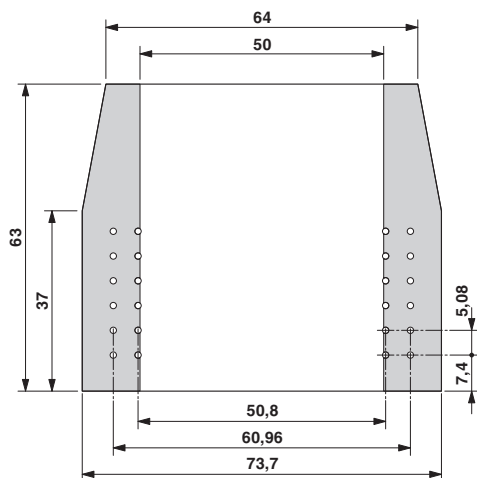


Dimensional drawing

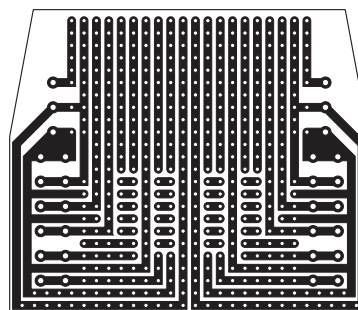


Electronic housing - UEGM 22,5-FS/FS - 2792073

Dimensional drawing



Schematic diagram



Approvals

Approvals

Approvals

UL Recognized / EAC

Ex Approvals

Approval details

UL Recognized		http://database.ul.com/cgi-bin/XYV/template/LISEXT/1FRAME/index.htm	FILE E 240868
---------------	--	-------------------------------------------------------------------------------------------------------------------------------------------------------	---------------

EAC			B.01742
-----	--	--	---------

Phoenix Contact 2018 © - all rights reserved
<http://www.phoenixcontact.com>

PHOENIX CONTACT GmbH & Co. KG
Flachsmarktstr. 8
32825 Blomberg
Germany
Tel. +49 5235 300
Fax +49 5235 3 41200
<http://www.phoenixcontact.com>