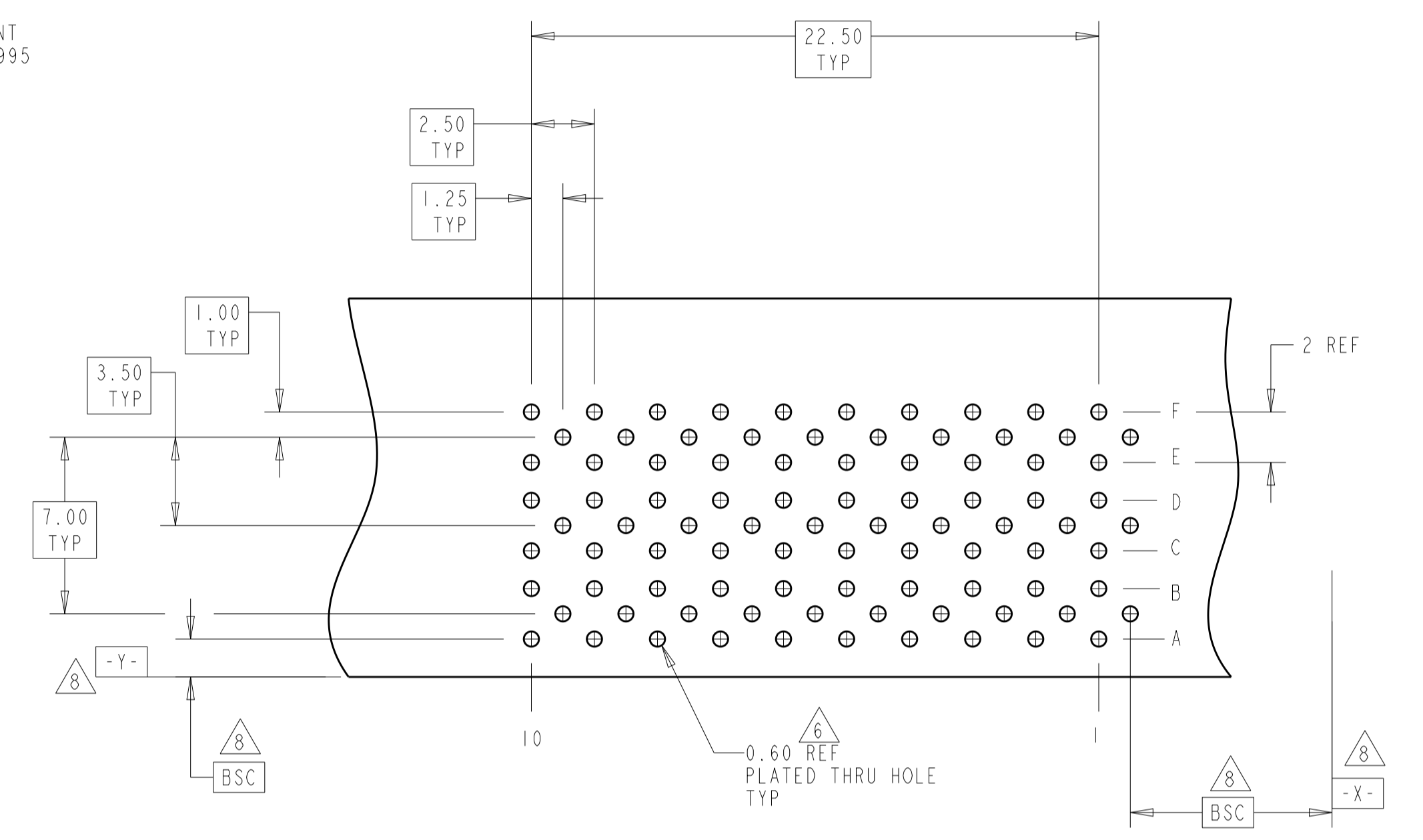
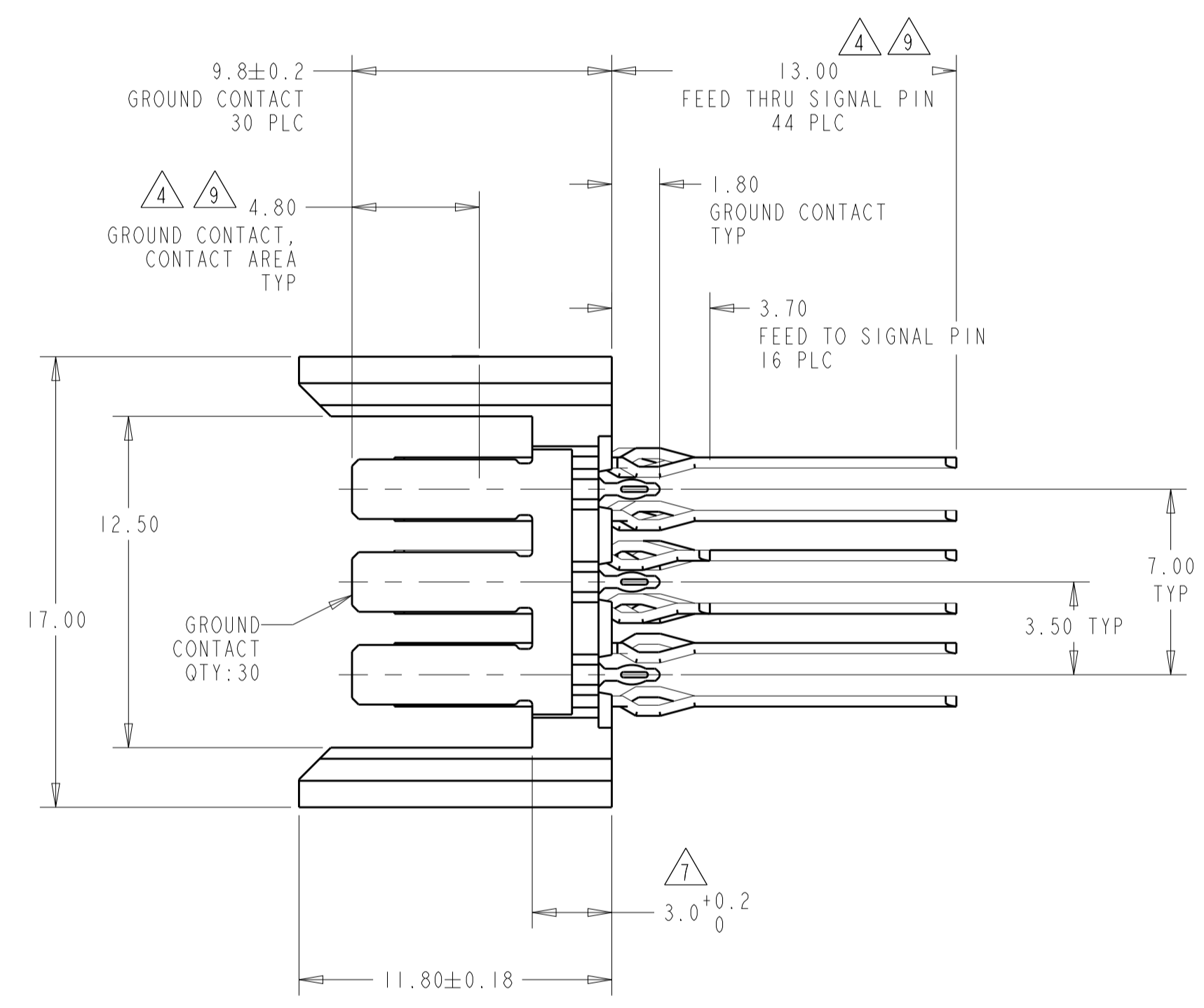
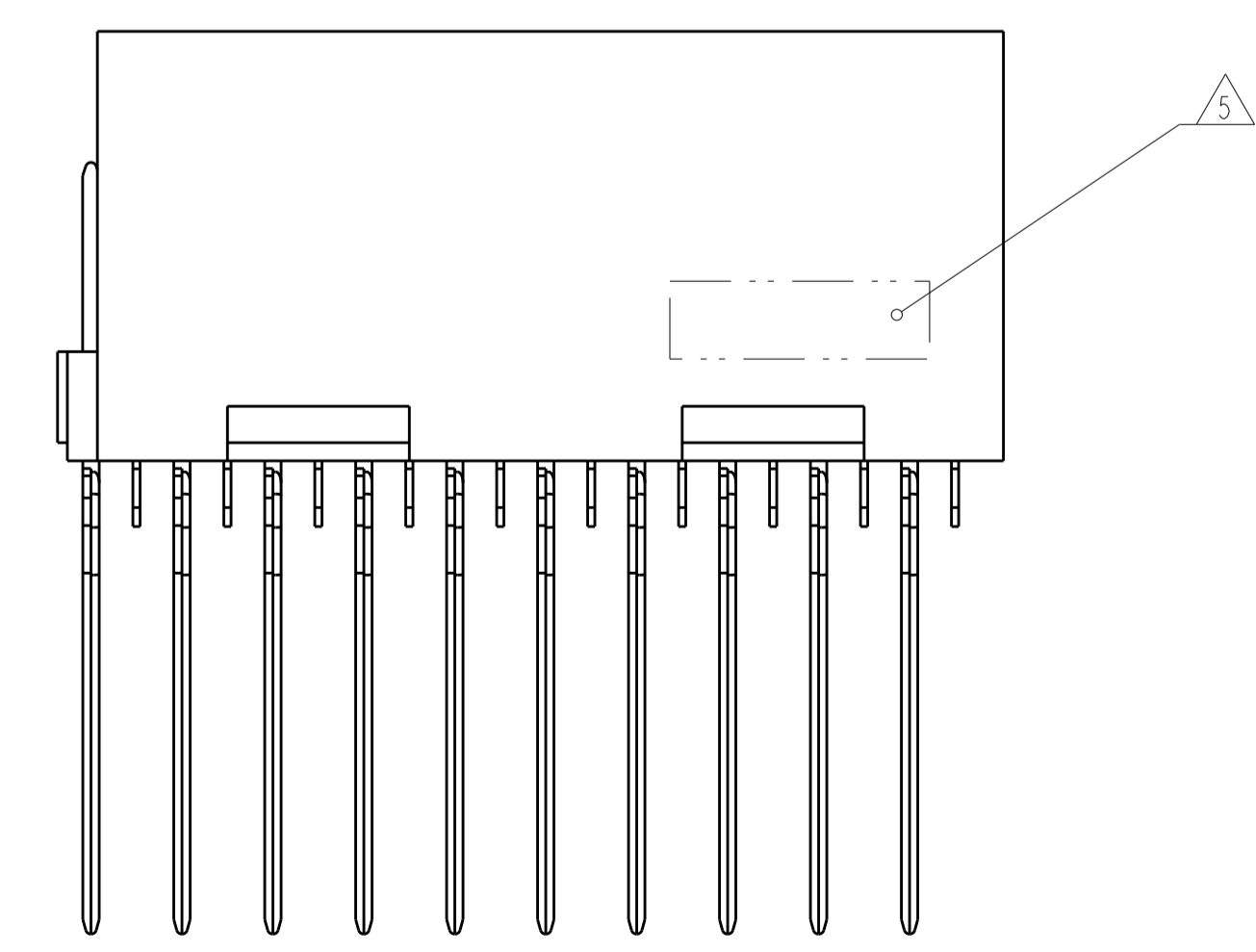
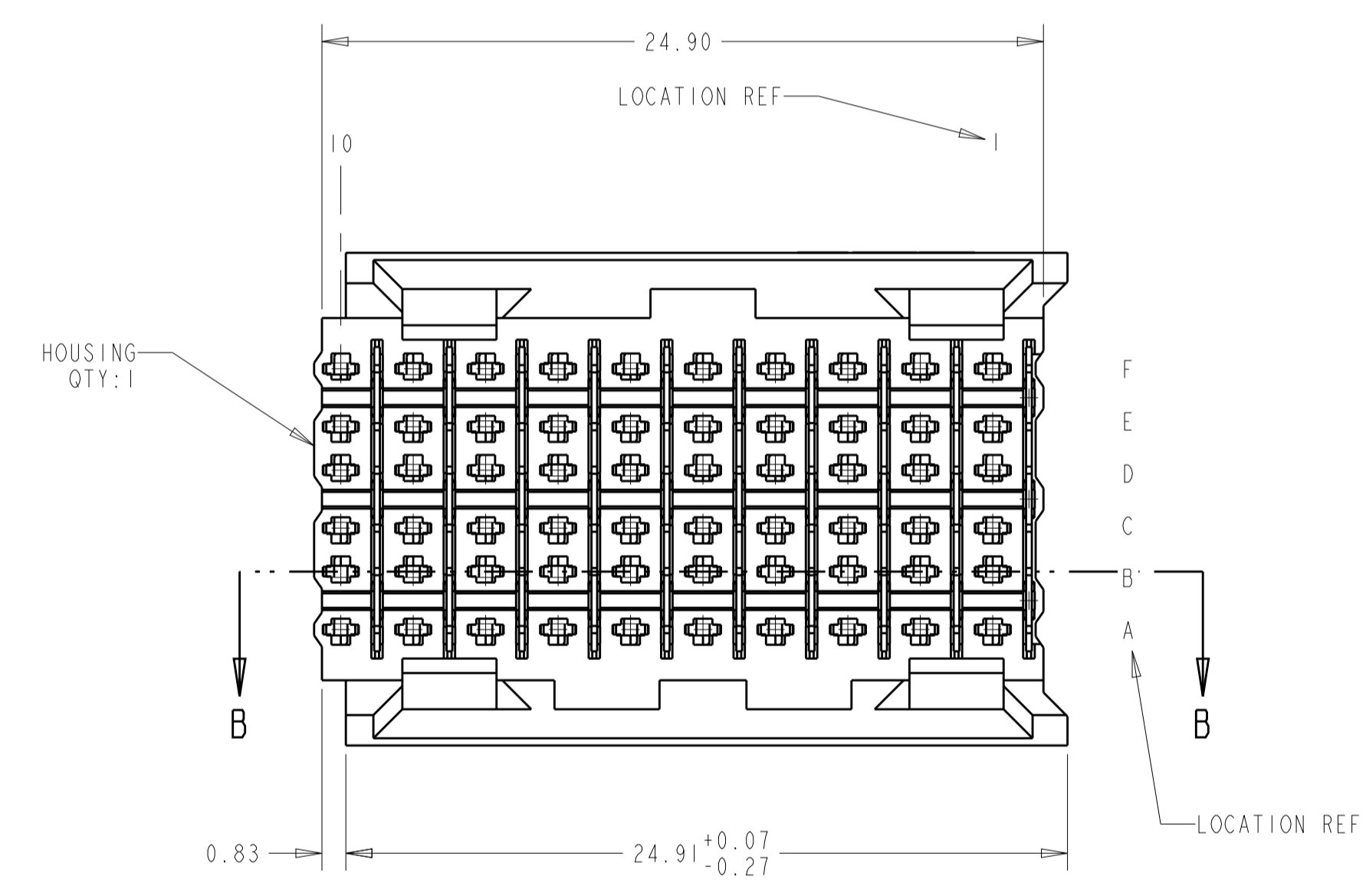
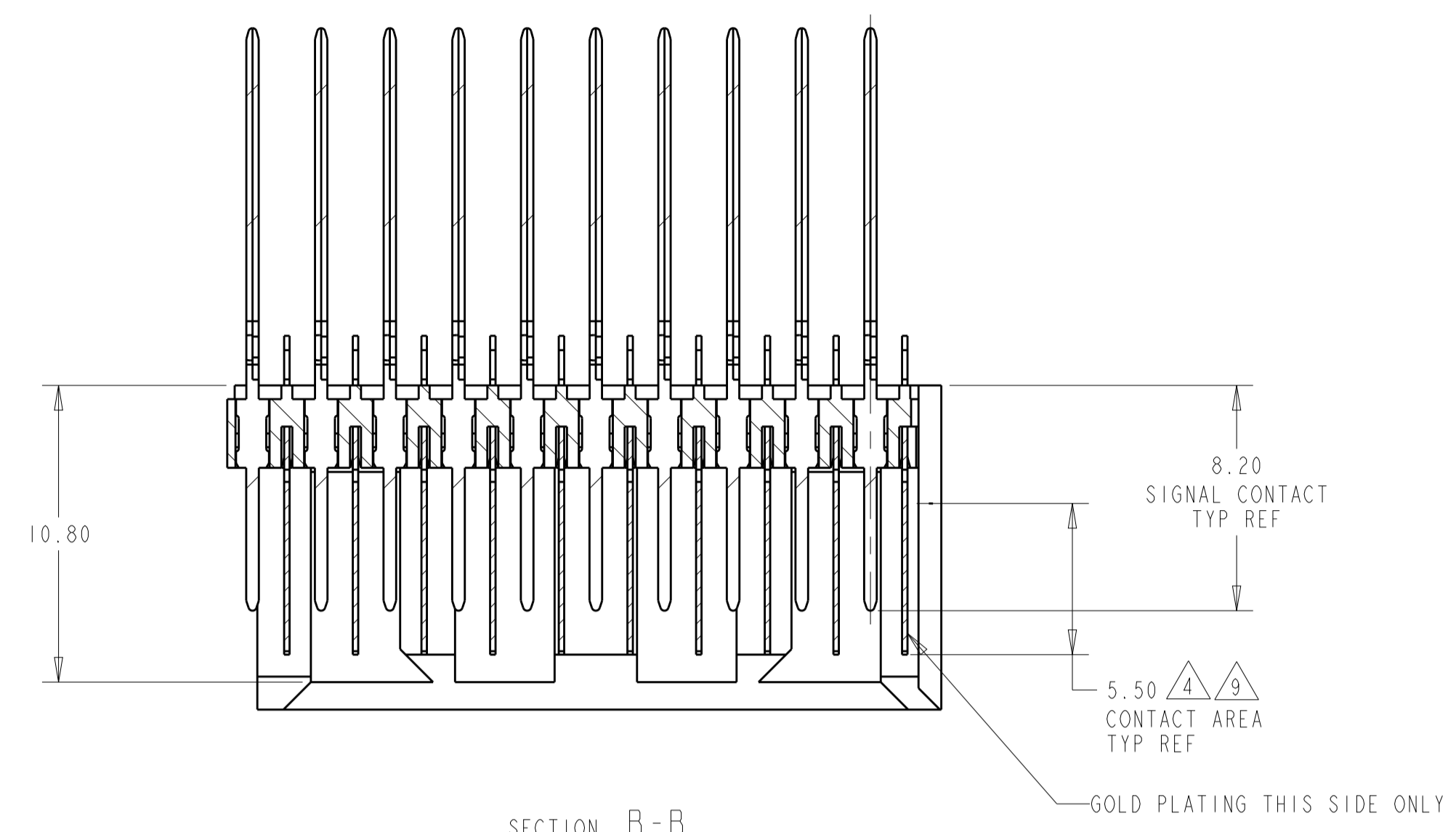
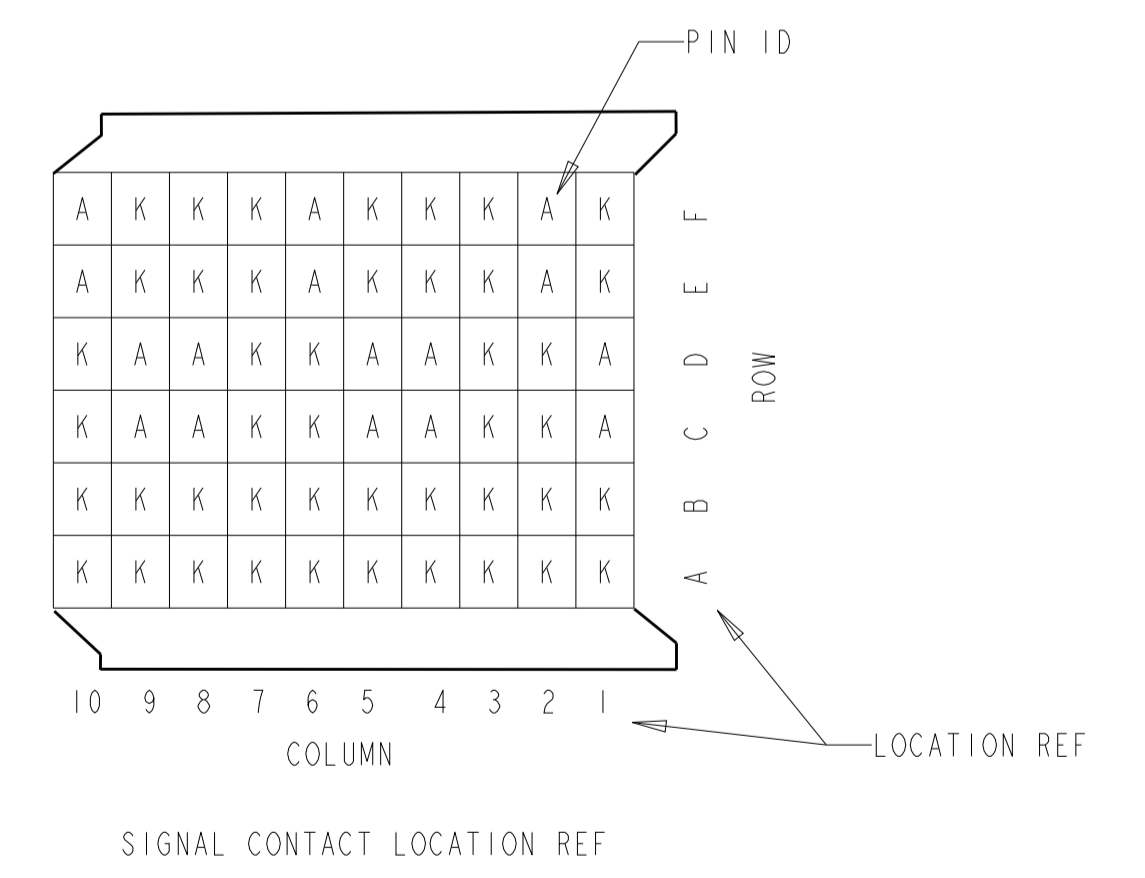


LOC		DIST		REVISIONS			
AD	00	P	LTN	DESCRIPTION	DATE	DWN	APVD
		C		REVISED PER ECO-12-006972	23AUG2012	KH	JE

- 2 PHOSPHOR BRONZE
- 3 LCP, UL94V-0
- 4 FINISH:
CONTACT MATING AREA MEETS THE PERFORMANCE REQUIREMENTS OF
TE CONNECTIVITY PRODUCT SPECIFICATION 108-1957; BASED ON
TELCORDIA GR-1217-CORE; APPLICATIONS IN UNCONTROLLED ENVIRONMENTS.
COMPLIANT PIN AREA: 0.5µm MIN BRIGHT TIN-LEAD OVER BASE PLATING.
- 5 CONNECTOR MARKED WITH PART NUMBER AND DATE CODE
- 6 REFERENCE APPLICATION SPEC 114-13020 FOR RECOMMENDED
PLATED THRU HOLE DIAMETER AND PLATING THICKNESS.
- 7 APPLICATION SEATING HEIGHT TO PRINTED CIRCUIT BOARD
- 8 DATUMS AND BASIC DIMENSIONS ESTABLISHED BY CUSTOMER
- 9 CONTACT AREA LUBRICATED WITH BELLCORE APPROVED LUBRICANT
TECHNICAL REFERENCE: GR-1217-CORE, ISSUE 1, NOVEMBER 1995



RECOMMENDED PRINTED CIRCUIT BOARD LAYOUT
COMPONENT SIDE OF PRINTED CIRCUIT BOARD



1645358-1
PART NUMBER

THIS DRAWING IS A CONTROLLED DOCUMENT.		DWN: R. IREDA 19FEB2007	TE Connectivity	
DIMENSIONS: mm		CHK: R. PATTERSON 19FEB2007		
TOLERANCES UNLESS OTHERWISE SPECIFIED:		APVD: R. PATTERSON 19FEB2007		
0 PLC ±	1 PLC ±	PRODUCT SPEC	NAME: HEADER ASSEMBLY, 60 POSITION, 6 ROW, FEED THROUGH, BACKPLANE CONNECTOR, Z-PACK HS3	
2 PLC ±0.13	3 PLC ±0.05	APPLICATION SPEC	SIZE: A1	
4 PLC ±	ANGLES ±	FINISH	CAGE CODE: 00779	
MATERIAL: HOUSING: 3	CONTACTS: 2	FINISH: 4	DRAWING NO: 1645358	
SIGNAL CONTACT: 4		WEIGHT	SCALE: 5:1	
CUSTOMER DRAWING		RESTRICTED TO	SHEET 1 OF 1	
		REV C		