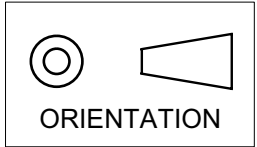


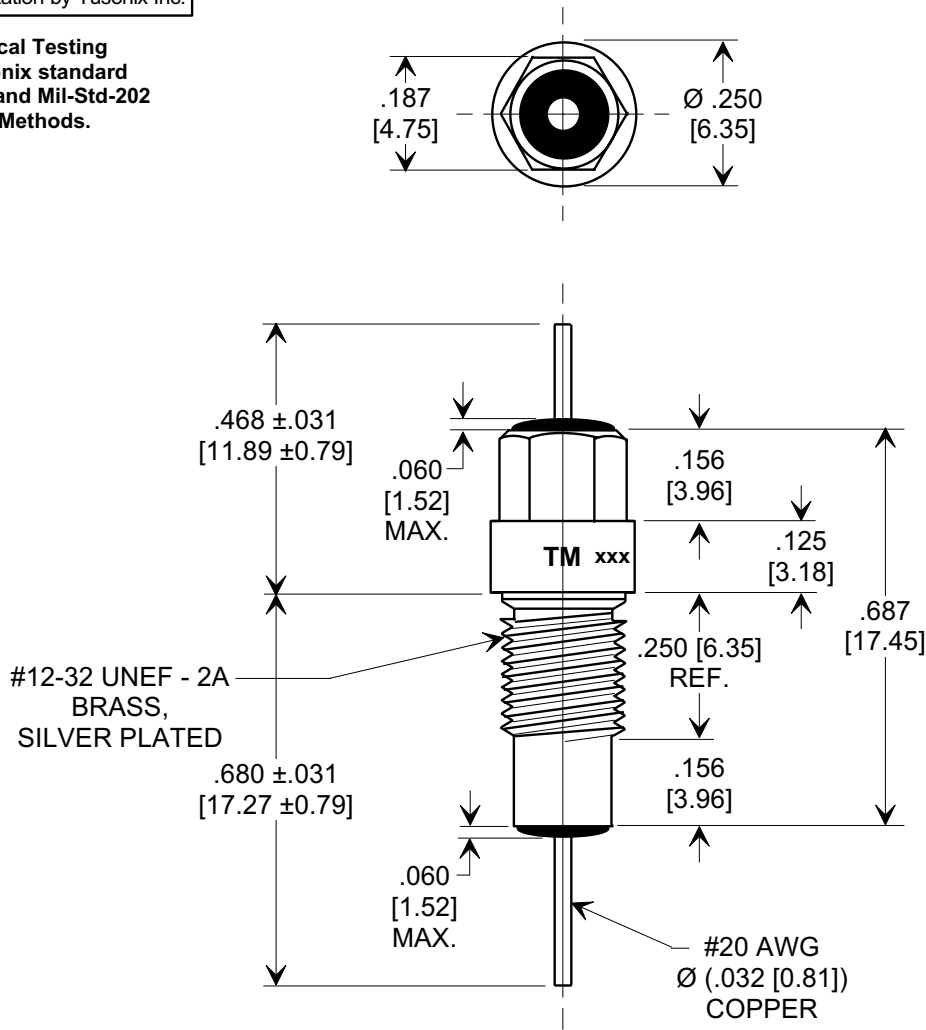
MARKETING SALES DRAWING

DIMENSIONS IN INCHES - DO NOT SCALE THIS DRAWING
DIMENSIONS IN METRIC - []

This drawing is the property of Tusonix, Inc., and may not be used, reproduced, published or disclosed to others without expressed authorization by Tusonix Inc.



Electrical Testing
per Tusonix standard
test plans and Mil-Std-202
Test Methods.



NOTES:

- TUSONIX STANDARD PART NUMBER: 4253-002.
 TUSONIX RoHS COMPLIANT PART NUMBER: 4253-002 LF.
 CUSTOMER MUST SPECIFY STANDARD OR RoHS PART NUMBER WHEN ORDERING.
- LEAD FINISH: SILVER PLATED.
- PART MARKING: TRADEMARK AND VARIATION NUMBER ON HEX FLATS.
 STANDARD PART: BLACK INK. RoHS PART: GREEN INK.
- SUPPLIED WITH SILVER PLATED COPPER ALLOY HEX NUT AND INTERNAL TOOTH LOCK WASHER.

MIN. CAP.(pf)	+125 °C WORKING VOLTAGE	CURRENT DC	I.R. MIN. @ 100 (VDC)	DWV (VDC)	MINIMUM NO LOAD INSERTION LOSS (dB) AT 25°C PER MIL-STD-220				
					1 MHz	10 MHz	100 MHz	1GHz	10 GHz
50,000	70 VDC	10A	10 G Ω	175	15	60	75	75	75

X-2015 Rev-0	REVISION RECORD		TUSONIX TUCSON, ARIZONA	--TOLERANCES-- Unless Otherwise Specified		Title MULTILAYER BUSHING STYLE EMI FILTER	
	0	Original Release C.O. 20011210-2-09		DECIMAL ± .015 [0.38]			
	1	ADDED NOTES 1-4. S.M. 10-06-05		ANGLES ±		Drawn S.M. 12-18-01	Scale 3 X
	2	20050927-10-05 CORRECTED P/N NOTE 1. ADDED IR & DWV.S.M. 03-16-06				Approved B.Mc. 12-18-01	
		20060315-5-01				A	4253-002