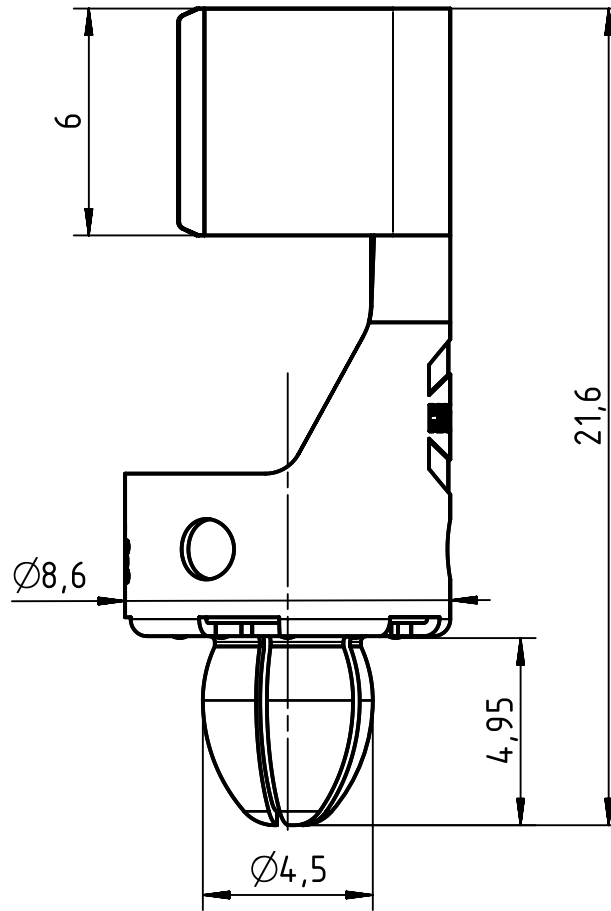
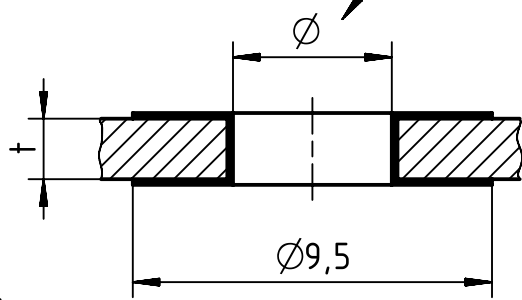


t	∅
1,6	4,4 $+0,05$ $-0,04$
2	4,4 $+0,05$ $-0,04$

PCB lay-out

finished hole



Coating	A=	mm <sup>2</sup>	V=	mm <sup>3</sup>	m=	g	Mat.
All Dimensions in mm Original Size DIN A4	Scale	Free size tol.					Ref.
	5:1						Sub.
All rights reserved Department EL PD - DE	Created by	Inspected by	Standardisation	Date	State		
	RULLKOETTER	SCHNIEDER	TIEMANNA	2014-01-27	Final Release		
HARTING Electric GmbH & Co. KG D-32339 Espelkamp	Title					Doc-Key / ECM-Nr.	
	Han-Fast Lock 10mm <sup>2</sup> , Ag					100219216/UGD/003/C 500000070361	
Type	Number			Rev.	Page		
TB	09 08 000 7924			C	1/1		