

THIS DRAWING IS UNPUBLISHED. RELEASED FOR PUBLICATION SEPT ,2005.

© COPYRIGHT 2005 BY TYCO ELECTRONICS CORPORATION. ALL RIGHTS RESERVED.

LOC	DIST	REVISIONS					
E	B	P	LTR	DESCRIPTION	DATE	DWN	APVD
		E1		ECR-10-005886	18/3/2010	RITA	BOB

NOTES:

- ① SINGLE PACK IN ACCORDANCE WITH AMP SPEC 107-3275
- ② 100 TRAY PACK IN ACCORDANCE WITH AMP SPEC 107-3275
- ③ FLASH Au PLATING
- ④ 0.8µm Au PLATING
- ⑤ Ni PLATING
- ⑥ THIS ITEM MUST BE WHITE

- 7. HAND TOOL : 9-1478240-0
- 8. DIE SET : 9-1478242-0

9. ELECTRICAL CHARACTERISTICS

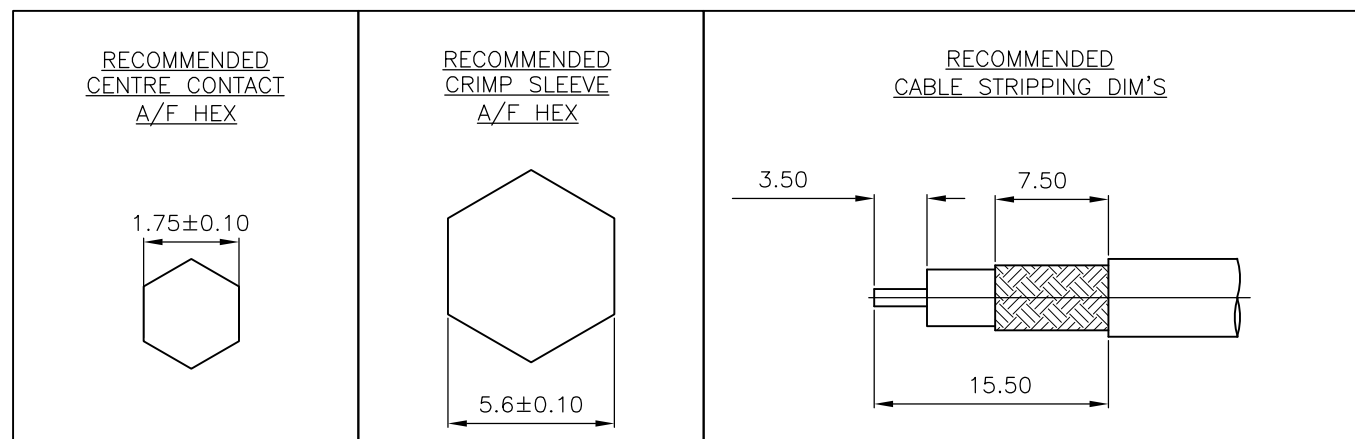
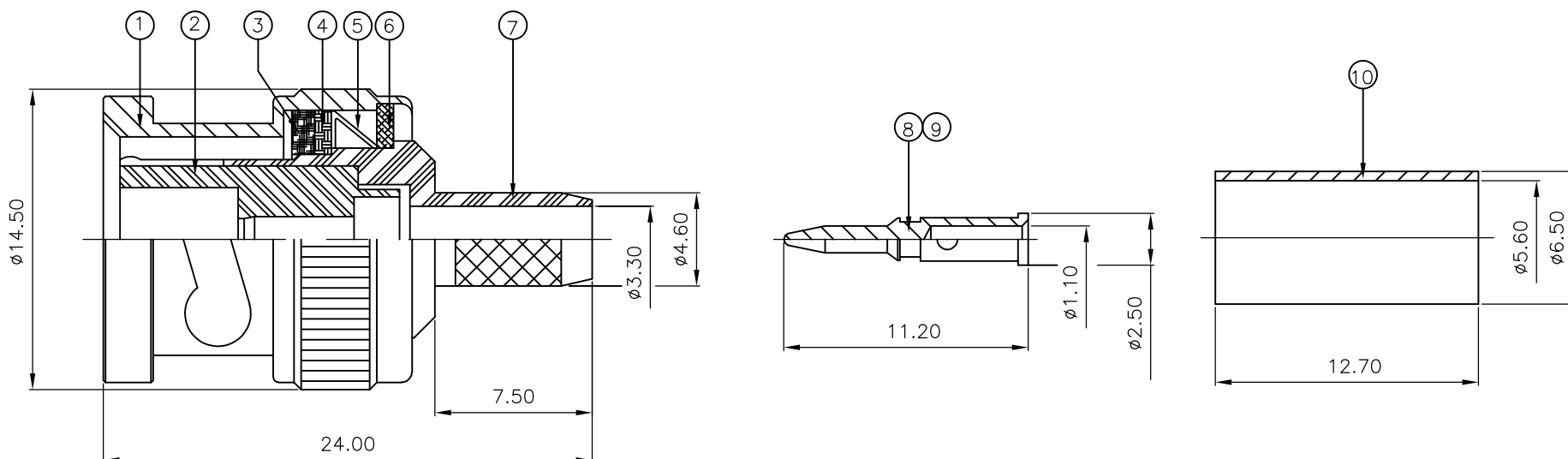
FREQUENCY RANGE:	DC - 4 GHz
NOMINAL IMPEDANCE:	50 Ohm
INSULATION RESISTANCE:	5000 MOhm
WORKING VOLTAGE:	500 Volts RMS at Sea Level
DIELECTRIC WITHSTAND VOLTAGE:	1500 Volts RMS Max
CONTACT RESISTANCE:	
CENTRE CONTACT:	1.50 mOhm Max
OUTER CONTACT:	0.20 mOhm Max
VSWR @ 4GHz:	1.30:1 Max
INSERTION LOSS dB @ x 3 GHz:	0.20 Max

10. MECHANICAL CHARACTERISTICS

COUPLING NUT RETENTION FORCE:	445N Min
CABLE RETENTION FORCE:	170N Min
DURABILITY:	500 Cycles Min

11. ENVIRONMENTAL CHARACTERISTICS

OPERATING TEMPERATURE:	-65 to +165 DegC
------------------------	------------------



QTY	PLC	LTR	DESCRIPTION	DATE	DWN	APVD	ITEM
1	1	1	BRASS		⑤		FERRULE
1	1	-	BRASS		④		CONTACT
-	-	1	BRASS		③		CONTACT
1	1	1	BRASS		⑦		BODY
1	1	1	BRASS		⑥		WASHER
1	1	1	SPRING STEEL		⑤		SPRING
1	1	1	BRASS		④		WASHER
1	1	1	SILICON RUBBER		③		GASKET
1	1	1	PTFE		②		INSULATION
1	1	1	BRASS		①		SHELL
6--1	1--1	6--0	1--0				MATERIAL
							DESCRIPTION
							ITEM

THIS DRAWING IS A CONTROLLED DOCUMENT.		DWN	J.SANDWELL	12SEPT05	<p>Tyco Electronics Corporation Bideford, UK, EX39 4HE</p>														
DIMENSIONS: mm		CHK	S.PARLOW	12SEPT05															
TOLERANCES UNLESS OTHERWISE SPECIFIED:		APVD	F.WHEELER-KING	12SEPT05															
<table border="0"> <tr><td>0 PLC</td><td>± -</td></tr> <tr><td>1 PLC</td><td>± -</td></tr> <tr><td>2 PLC</td><td>± -</td></tr> <tr><td>3 PLC</td><td>± -</td></tr> <tr><td>4 PLC</td><td>± -</td></tr> <tr><td>ANGLES</td><td>± -</td></tr> <tr><td>FINISH</td><td>± -</td></tr> </table>		0 PLC	± -	1 PLC		± -	2 PLC	± -	3 PLC	± -	4 PLC	± -	ANGLES	± -	FINISH	± -	PRODUCT SPEC	108-3435	NAME
0 PLC	± -																		
1 PLC	± -																		
2 PLC	± -																		
3 PLC	± -																		
4 PLC	± -																		
ANGLES	± -																		
FINISH	± -																		
MATERIAL	SEE TABLE	APPLICATION SPEC	411-3247	SIZE	A3														
CUSTOMER DRAWING		WEIGHT	-	CAGE CODE	00779														
				DRAWING NO	C-1337426														
				RESTRICTED TO	-														
				SCALE	NTS														
				SHEET	1 OF 1														
				REV	E1														