



AB SERIES COMPACT IEC CONNECTOR FILTERS



INTRODUCTIONS

1. Power module incorporates an IEC connector, single or double fuse (IEC 5 x 20mm) holder, and double-pole power switch, plus an EMI filter all-in-one easy-to-install unit.
2. All part numbers are UL recognized and CSA certified.

COMPONENTS

| PART NO. | Cx (uF) | L (mH) | Cy (pF) | R (Ohm) |
|----------|---------|--------|---------|---------|
| 01AB2D | 0.22 | 10.5 | 2200 | 1M |
| 01AB2S | | | | |
| 03AB2D | | 2.5 | | |
| 03AB2S | | | | |
| 06AB2D | | 0.8 | | |
| 06AB2S | | | | |

MINIMUM INSERTION LOSS IN dB

| COMMON MODE (L-G) IN 50 OHM SYSTEM | | | | | | |
|--|---------------|-----|-----|-----|----|----|
| CURRENT RATING | FREQUENCY-MHz | | | | | |
| | .15 | .50 | 1.0 | 5.0 | 10 | 30 |
| 1A | 30 | 35 | 40 | 40 | 40 | 35 |
| 3A | 20 | 25 | 30 | 40 | 40 | 35 |
| 6A | 10 | 15 | 20 | 35 | 40 | 35 |
| DIFFERENTIAL MODE (L-L) IN 50 OHM SYSTEM | | | | | | |
| 1A | 8 | 20 | 30 | 40 | 40 | 35 |
| 3A | 7 | 15 | 25 | 40 | 40 | 35 |
| 6A | 5 | 15 | 20 | 35 | 40 | 35 |

TYPE & RATED CURRENT

| DELTA PART NO. | 01AB2D | 03AB2D | 06AB2D | 01AB2S | 03AB2S | 06AB2S |
|-----------------------------|--------|--------|--------|--------|--------|--------|
| RATED CURRENT 115VAC | 1A | 3A | 6A | 1A | 3A | 6A |
| 250VAC | 1A | 3A | 6A | 1A | 3A | 6A |
| IEC CONNECTOR | △ | △ | △ | △ | △ | △ |
| FUSE | DOUBLE | | | SINGLE | | |
| • DOUBLE-POLE POWER SWITCH | DOUBLE | | | DOUBLE | | |
| ELECTRICAL SCHEMATIC (FIG.) | A | | | B | | |

- UL & CSA approved current rating: UL/CSA-10A.
- Electrical lifetime: 10,000 cycles.
- Maximum inrush current: 51A.

MECHANICAL CONSTRUCTION



AB2D

SPECIFICATIONS

1. Maximum leakage current each line-to-ground @ 115VAC 60Hz: 0.2mA
@ 250VAC 50Hz: 0.4mA
2. Hipot rating (one minute)
line-to-ground: 2250VDC
line-to-line: 1450VDC
3. Operating frequency: 50/60Hz
4. Rated voltage: 115/250VAC

ELECTRICAL SCHEMATIC

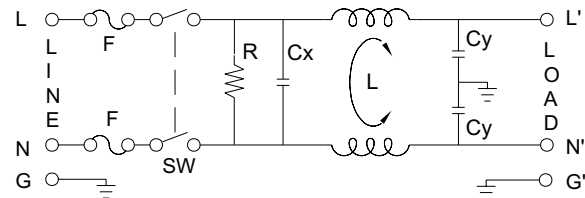


FIG. A

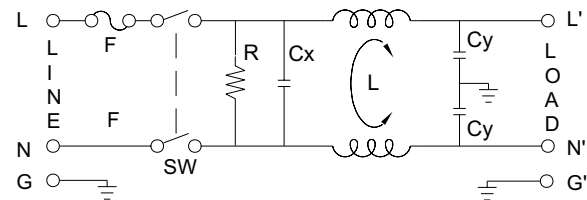
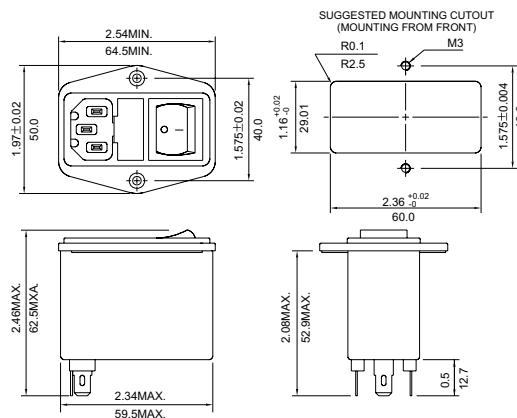


FIG. B



UNIT: INCH
MM