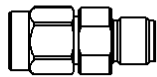
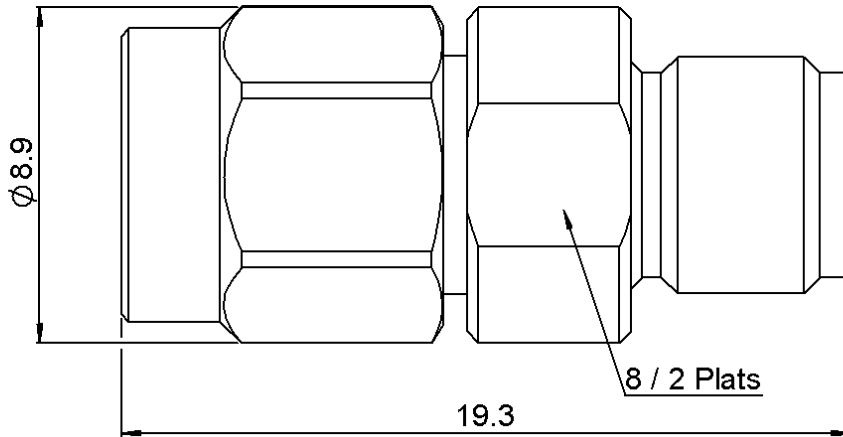
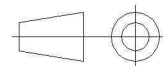
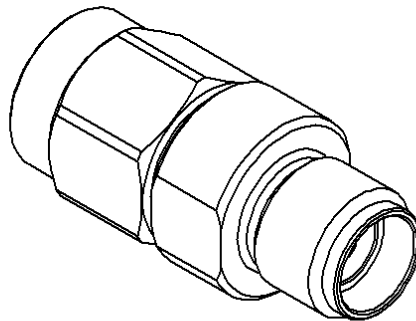


SMA ATTENUATOR
0 DB 12.4 GHZ 2W

R411.800.119
Series : **ATTENUATOR**



SCALE 1/1



All dimensions are in mm.

COMPONENTS	MATERIALS	PLATING(µm)
BODY	ACIER INOXYDABLE	
MALE CENTER CONTACT	CUPRO BERYLLIUM	OR 0.5 SUR NICKEL 4
FEMALE CENTER CONTACT	CUPRO BERYLLIUM	OR 0.5 SUR NICKEL 4
OUTER CONTACT		
INSULATOR	PTFE	
GASKET	ELASTOMERE SILICONE	
SUBSTRATE	-	
RESISTOR	-	
OTHERS PARTS		

Issue : 1129 C

In the effort to improve our products, we reserve the right to make changes judged to be necessary.

SMA ATTENUATOR
0 DB 12.4 GHZ 2W

R411.800.119
Series : ATTENUATOR

ELECTRICAL CHARACTERISTICS

Frequency (GHz)	DC - 4	4 - 8	8 - 12.4
V.S.W.R (≤)	1.20	1.25	1.30
Deviation(±dB)	0.20	0.20	0.50

Operating Frequency Range	DC - 12.4	GHz
Impedance	50	Ω
Nominal Attenuation	0	dB
Peak power at 25°C (1μs, 1%)	100	W
Average power at 25°C	2	W (Free Air Cooled)
		W (Conduction Cooled)

MECHANICAL CHARACTERISTICS

Connectors	SMA	Male Female	MIL-C 39012
Weight	4,7570 g		

ENVIRONMENTAL CHARACTERISTICS

Operating temperature range	-55 / +125 °C
Storage temperature range	-55 / +125 °C



SPECIFICATION

OTHER CHARACTERISTICS

Issue : 1129 C

In the effort to improve our products, we reserve the right to make changes judged to be necessary.

