

LTC4415EMSE

Dual 4A Ideal Diodes with Adjustable Current Limit

DESCRIPTION

Demonstration circuit 1819A features the LTC[®]4415EMSE dual ideal diodes. Each independent ideal diode can be used to replace a standard diode for improved low forward drop in applications requiring maximum headroom and overall system efficiency.

The input supply voltage ranges are from 1.7V to 5.5V for each input/output pair. As initially configured, LTC4415 can provide a maximum current limit of 4A for each diode, but is jumper-selectable up to 6A (internal current limit). The voltage of the current limit pins, CLIM1 and CLIM2, can also be monitored for a scaled representation of the output current.

For evaluation, each diode can be controlled by the ENABLE CONTROL jumper, JP1, or by the enable input pins,

EN1 and $\overline{\text{EN2}}$. As initially configured, by setting to BOTH the user can apply input voltages and loads on each diode independently. Selecting PRIORITY allows the LTC4415 to automatically switch over between inputs when the proper input voltage threshold on IN1 is achieved.

Status and warning LEDs and test points are provided for the logic output pins STAT1, STAT2 and WARN1, WARN2, respectively.

Optionally, the LTC4415EDHC version can also be used for evaluation. It is a pin-compatible drop-in replacement.

Design files for this circuit board are available at <http://www.linear.com/demo>

LT, LT, LTC, LTM, μ Module, Linear Technology and the Linear logo are registered trademarks of Linear Technology Corporation. All other trademarks are the property of their respective owners.

PERFORMANCE SUMMARY (T_A = 25°C)

PARAMETER	CONDITIONS	VALUE
Minimum Input Voltage	VINx	1.7V
Maximum Input Voltage	VINx	5.5V
Maximum Output Current	CLIMx Resistor-Adjustable	4A
	CLIMx Internal Limit	6A
CLIMx Clamp Voltage	Current Limit	0.5V
Forward Voltage Drop	VINx = 3.6V, IOUx = 1A	50mV Typ
Reverse Turn-Off Voltage	VINx – VOUTx	–30mV
Enable Threshold	EN1 and $\overline{\text{EN2}}$	800mV

QUICK START PROCEDURE

Demonstration circuit 1819A is easy to set up to evaluate the performance of the LTC4415. Refer to Figure 1 for proper measurement equipment setup and follow the procedure below.

1. Set the jumpers as below:

JP1	JP2	JP3
BOTH	4A	4A

2. With all power off, connect input 1 and 2 (VIN1 and VIN2) power supplies capable of at least 4A each, the loads (VOUT1 and VOUT2), and meters as shown in Figure 1.
3. Preset the system loads to 0A and the input supplies to 0V, 0A current limit.
4. Turn on the supplies, setting the current limit above 4A. Adjust the voltages to the desired value, up to 5.5V.
5. Turn on the loads and adjust as necessary.
6. Monitor CLIM1 and CLIM2 pin voltages for a scaled representation of the output currents.
7. Adjust the supply voltages further and observe how the output states change accordingly. $\overline{\text{STAT1}}$ and $\overline{\text{STAT2}}$ will change state if the input voltage drops below the UVLO threshold.
8. Adjust the loads into current limit and observe how the $\overline{\text{WARN1}}$ and $\overline{\text{WARN2}}$ states change accordingly.

Optional

1. For prioritization enable switchover set jumper JP1 to PRIORITY.
2. For independent, external control of the enable pins, remove the shunt on jumper JP1. Apply the logic control signal on EN1 and $\overline{\text{EN2}}$ as necessary.
3. With all power off, change the CLIM1 and CLIM2 settings on jumpers JP2 and JP3 for different current limits.
4. For load sharing or evaluation of the diode-OR function, connect the two diode outputs, OUT1 and OUT2, together. The source of highest voltage will appear at the output.
5. For independent path control from a common input, connect the two diode inputs, IN1 and IN2, together.

QUICK START PROCEDURE

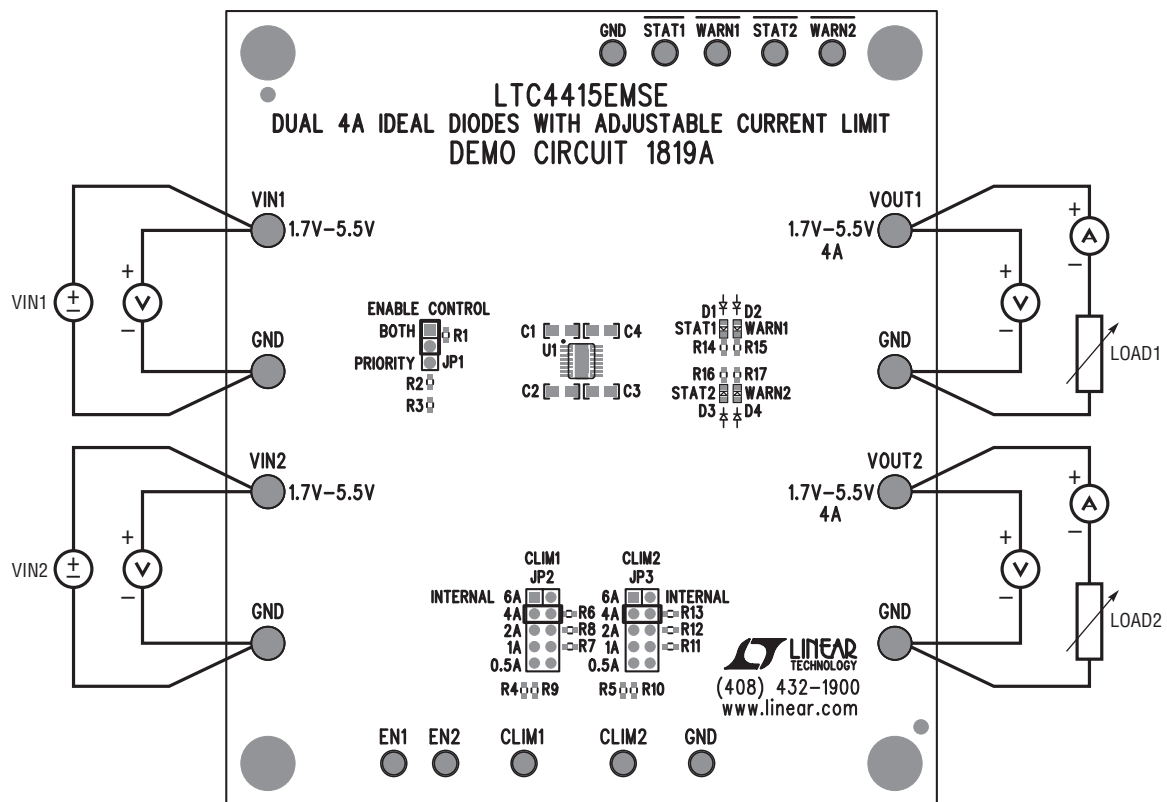


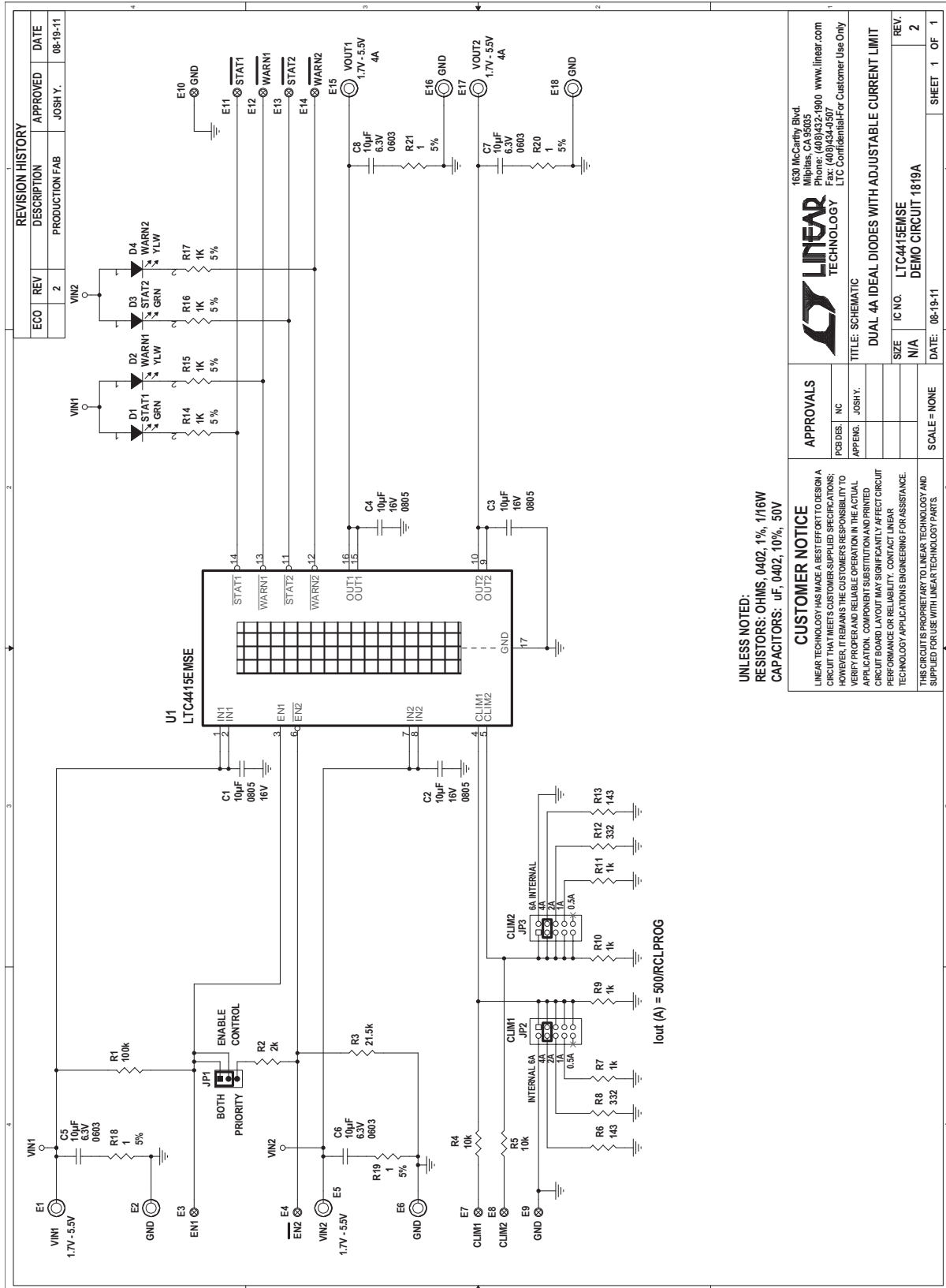
Figure 1. Proper Measurement Equipment Setup

DEMO MANUAL DC1819A

PARTS LIST

ITEM	QTY	REFERENCE	PART DESCRIPTION	MANUFACTURER/PART NUMBER
Required Circuit Components				
1	4	C1, C2, C3, C4	CAP, CHIP, X5R, 10 μ F, \pm 10%, 16V, 0805	MURATA, GRM21BR61C106KE15L
2	1	R1	RES, CHIP, 100k, \pm 1%, 1/16W, 0402	VISHAY, CRCW0402100KFKED
3	1	R2	RES, CHIP, 2k, \pm 1%, 1/16W, 0402	VISHAY, CRCW04022K00FKED
4	1	R3	RES, CHIP, 21.5k, \pm 1%, 1/10W, 0402	VISHAY, CRCW040221K5FKED
5	2	R9, R10	RES, CHIP, 1k, \pm 1%, 1/16W, 0402	VISHAY, CRCW04021K00FKED
6	1	U1	IC, LTC4415EMSE	LINEAR TECH., LTC4415EMSE#PBF
Additional Demo Board Circuit Components				
1	4	C5, C6, C7, C8	CAP, CHIP, X5R, 10 μ F, \pm 10%, 6.3V, 0603	TDK, C1608X5R0J106K
2	2	D1, D2	LED, SMT, GREEN, 0603	LITE-ON, LTST-C190KGKT
3	2	D3, D4	LED, SMT, YELLOW, 0603	LITE-ON, LTST-C190YKT
4	2	R4, R5	RES, CHIP, 10k, \pm 5%, 1/16W, 0402	VISHAY, CRCW040210K0JNED
5	2	R6, R13	RES, CHIP, 143 Ω , \pm 1%, 1/16W, 0402	VISHAY, CRCW0402143RFKED
6	2	R8, R12	RES, CHIP, 332 Ω , \pm 1%, 1/16W, 0402	VISHAY, CRCW0402332RFKED
7	4	R14, R15, R16, R17	RES, CHIP, 1k, \pm 5%, 1/16W, 0402	VISHAY, CRCW04021K00JNED
8	2	R7, R11	RES, CHIP, 1k, \pm 1%, 1/16W, 0402	VISHAY, CRCW04021K00FKED
9	4	R18, R19, R20, R21	RES, CHIP, 1 Ω , \pm 5%, 1/16W, 0402	VISHAY, CRCW04021R00JNED
Hardware/Components (For Demo Board Only)				
2	8	E1, E2, E5, E8, E14, E15, E16, E17	TEST POINT, TURRET, 0.094"	MILL-MAX, 2501-2-00-80-00-00-07-0
1	9	E3, E4, E6, E7, E9, E10, E11, E12, E13	TEST POINT, TURRET, 0.061"	MILL-MAX, 2308-2-00-80-00-00-07-0
3	1	JP1	3 Pin Jumper, 2mm	SAMTEC, TMM-103-02-L-S
4	2	JP2, JP3	2 \times 5 Pin Jumper, 2mm	SAMTEC, TMM-105-02-L-D
5	3	JP1-3	SHUNT, 2mm	SAMTEC, 2SN-KB-G
6	4		STAND-OFF, NYLON, 0.500"	KEYSTONE, 8833

SCHEMATIC DIAGRAM



UNLESS NOTED:
 RESISTORS: OHMS, 0402, 1%, 1/16W
 CAPACITORS: uF, 0402, 10%, 50V

CUSTOMER NOTICE

LINEAR TECHNOLOGY HAS MADE A BEST EFFORT TO DESIGN A CIRCUIT THAT MEETS CUSTOMER-SUPPLIED SPECIFICATIONS; HOWEVER, IT REMAINS THE CUSTOMER'S RESPONSIBILITY TO VERIFY PROPER AND RELIABLE OPERATION IN THE ACTUAL APPLICATION. COMPONENT SUBSTITUTION AND PRINTED CIRCUIT BOARD LAYOUT MAY SIGNIFICANTLY AFFECT CIRCUIT PERFORMANCE OR RELIABILITY. CONTACT LINEAR TECHNOLOGY APPLICATIONS ENGINEERING FOR ASSISTANCE.

APPROVALS

POBDES:	INC
APPENG:	JOSHY.



1630 McCarty Blvd.
 Milpitas, CA 95032-1900 www.linear.com
 Phone: (408)432-1900
 Fax: (408)434-0907
 LTC Confidential-For Customer Use Only

TITLE: SCHEMATIC	
SIZE	IC NO.
N/A	LTC4415EMSE
DATE: 08-19-11	
SCALE	NONE
SHEET 1 OF 1	

DEMO MANUAL DC1819A

DEMONSTRATION BOARD IMPORTANT NOTICE

Linear Technology Corporation (LTC) provides the enclosed product(s) under the following **AS IS** conditions:

This demonstration board (DEMO BOARD) kit being sold or provided by Linear Technology is intended for use for **ENGINEERING DEVELOPMENT OR EVALUATION PURPOSES ONLY** and is not provided by LTC for commercial use. As such, the DEMO BOARD herein may not be complete in terms of required design-, marketing-, and/or manufacturing-related protective considerations, including but not limited to product safety measures typically found in finished commercial goods. As a prototype, this product does not fall within the scope of the European Union directive on electromagnetic compatibility and therefore may or may not meet the technical requirements of the directive, or other regulations.

If this evaluation kit does not meet the specifications recited in the DEMO BOARD manual the kit may be returned within 30 days from the date of delivery for a full refund. **THE FOREGOING WARRANTY IS THE EXCLUSIVE WARRANTY MADE BY THE SELLER TO BUYER AND IS IN LIEU OF ALL OTHER WARRANTIES, EXPRESSED, IMPLIED, OR STATUTORY, INCLUDING ANY WARRANTY OF MERCHANTABILITY OR FITNESS FOR ANY PARTICULAR PURPOSE. EXCEPT TO THE EXTENT OF THIS INDEMNITY, NEITHER PARTY SHALL BE LIABLE TO THE OTHER FOR ANY INDIRECT, SPECIAL, INCIDENTAL, OR CONSEQUENTIAL DAMAGES.**

The user assumes all responsibility and liability for proper and safe handling of the goods. Further, the user releases LTC from all claims arising from the handling or use of the goods. Due to the open construction of the product, it is the user's responsibility to take any and all appropriate precautions with regard to electrostatic discharge. Also be aware that the products herein may not be regulatory compliant or agency certified (FCC, UL, CE, etc.).

No License is granted under any patent right or other intellectual property whatsoever. **LTC assumes no liability for applications assistance, customer product design, software performance, or infringement of patents or any other intellectual property rights of any kind.**

LTC currently services a variety of customers for products around the world, and therefore this transaction **is not exclusive**.

Please read the DEMO BOARD manual prior to handling the product. Persons handling this product must have electronics training and observe good laboratory practice standards. **Common sense is encouraged.**

This notice contains important safety information about temperatures and voltages. For further safety concerns, please contact a LTC application engineer.

Mailing Address:

Linear Technology
1630 McCarthy Blvd.
Milpitas, CA 95035

Copyright © 2004, Linear Technology Corporation