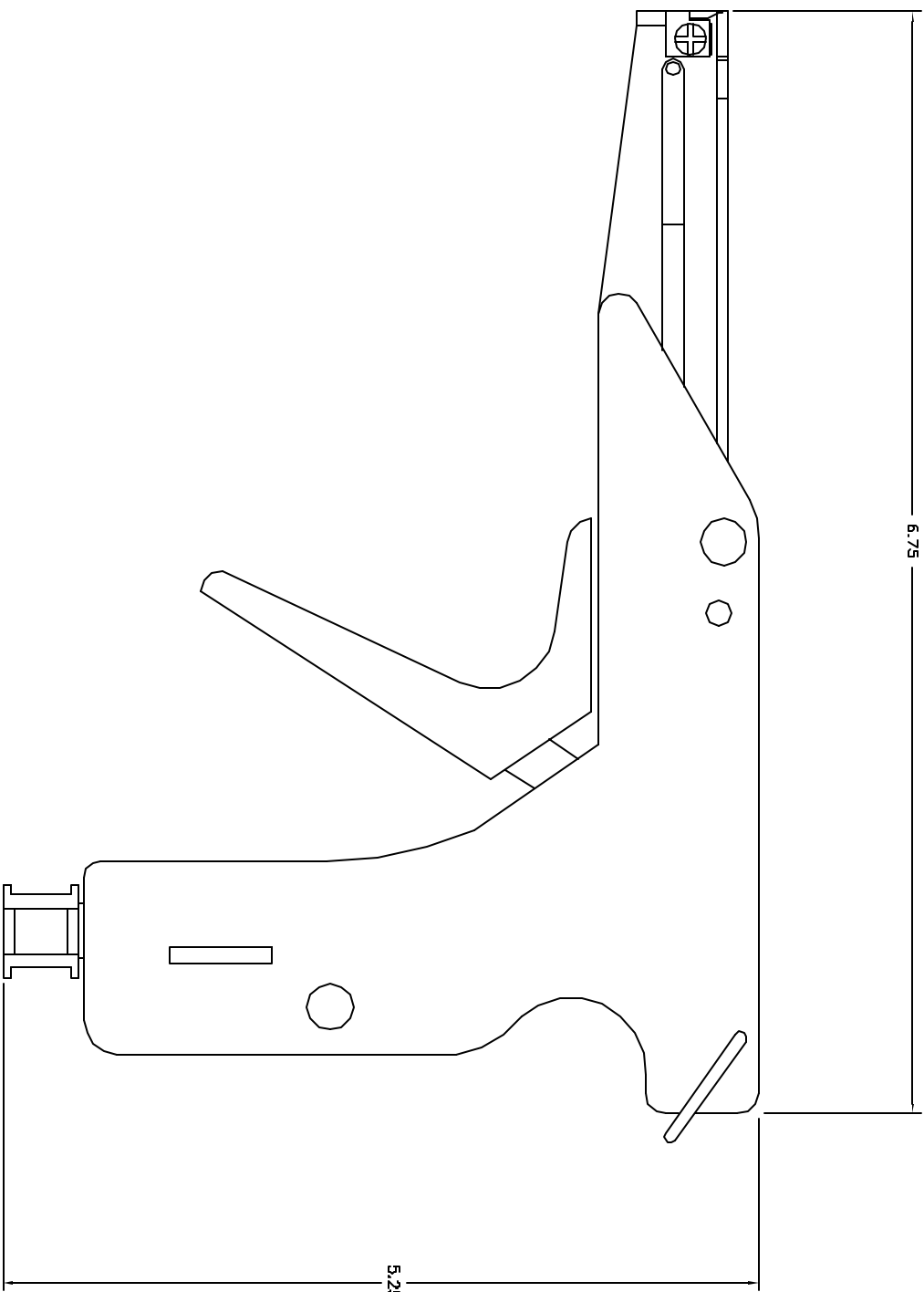


REV	DATE	DESCRIPTION	BY	APP'D
1		ORIGINAL RELEASE		



6.75

5.25

**UNCONTROLLED DOCUMENT
WILL NOT BE UPDATED**

RESTRICTED & CONFIDENTIAL		PART NO.		QTY.		DESCRIPTION/REMARKS	
DATE	REV	REV	DATE	REV	DATE	REV	DATE
1		1		1		1	
CONFIDENTIAL PROPERTY OF DYNALIFE IS HEREBY RELEASED TO THE PUBLIC. ANY REPRODUCTION OR DISTRIBUTION OF THIS DRAWING IS PROHIBITED. ANY VIOLATION OF THIS NOTICE IS SUBJECT TO PROSECUTION UNDER FEDERAL LAWS.		TITLE DMC THE WRAP TOOL ENVELOPE DRAWING		DATE 10/21/04		SHEET NO. 1 OF 1	
NOTE: THIS DRAWING IS AN OUTLINE DRAWING OF THE PROPOSED MANUFACTURE. ACTUAL DIMS SHALL BE DETERMINED BY THE MANUFACTURER.		DATE 10/21/04		REGION MS90387-2-ENV		SHEET NO. 1 OF 1	
DO NOT SCALE DRAWING							