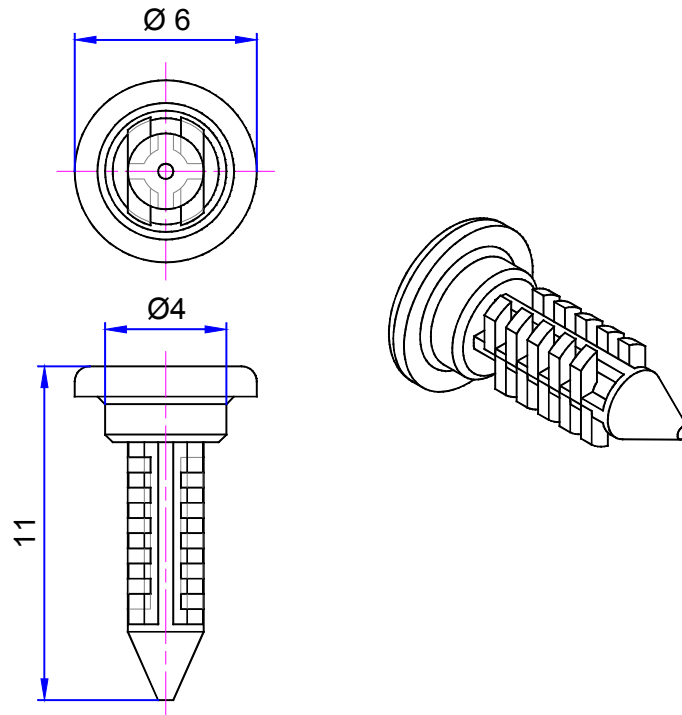


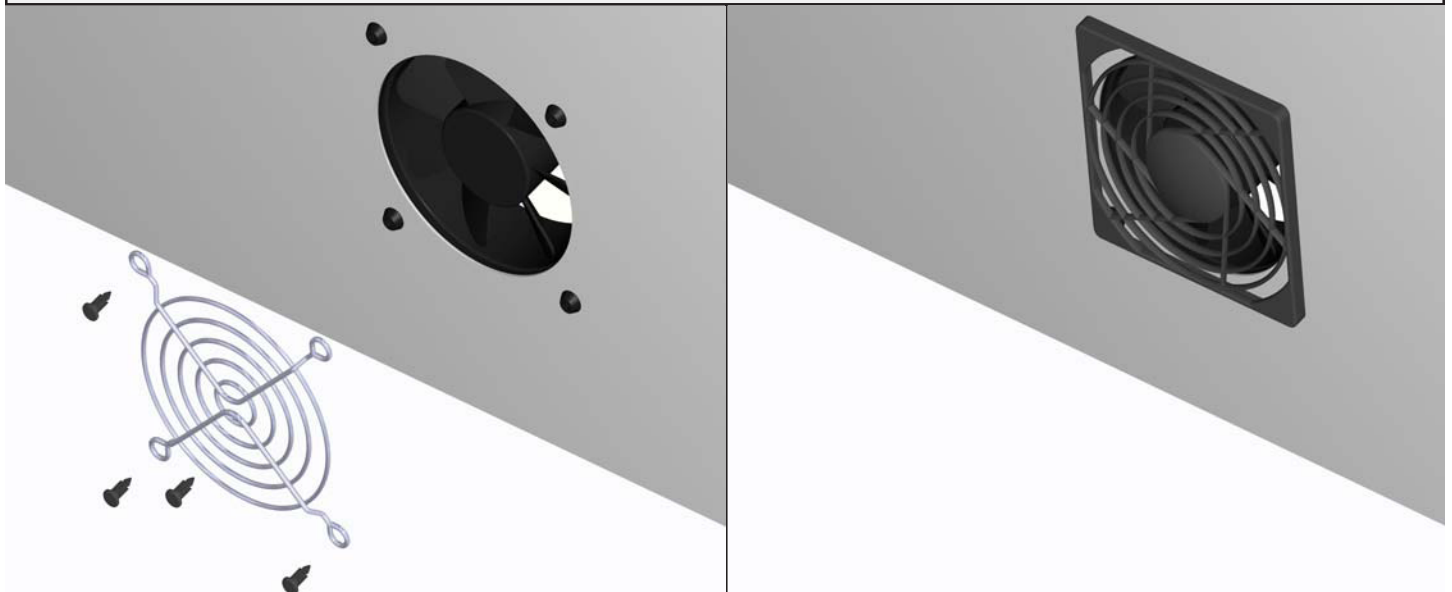
Rivets



Material: Plastic
Color: Black
Fire Resistance: UL94-V0
Equal Guideline: 2002/95 / EG (RoHS Compliant)



With the specially designed rivets, metal fan guard grills can be attached into the holes of the mushroom formed pegs from the fan sleeves.



Part Number

QLN-36-01-100

7610 Jenther Drive, Mentor, OH 44060
Phone: 1-440-951-3300, Fax: 1-440-951-7252

Qualtek Electronics Corporation

E-Mail: mailbox@qualteksua.com
Web: www.Qualtekusa.com