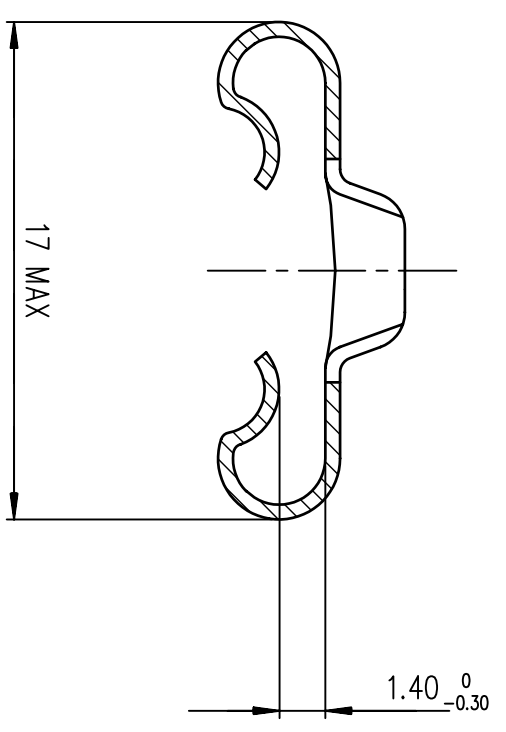
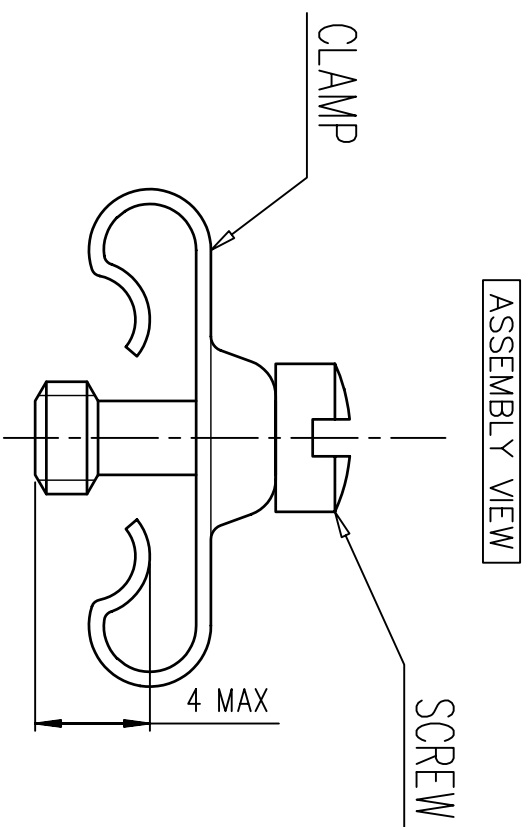
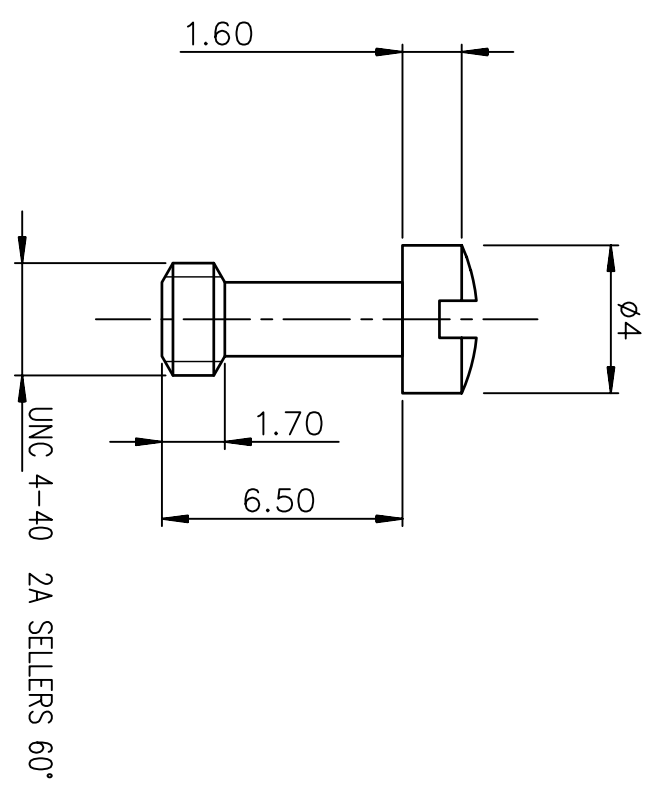


NOTES
 Pieces assembly
 Packaging : per 100 pieces
 Material : steel
 Plating : tin
 Thread : UNC 4.40



Part number **863015ATLF**

European Views

Dr	BART	2004/02/26	ANGULAR	0.X	±0.1	projection	A3	Scale	5
Eng	PESSON	2004/02/26	LINEAR	0.XX	±0.1	mm			
Chr	ABHILASH	2011/01/25	0.XX ± 2	0.XXX	±0.1	ECN	ELX-H-0116886		
Appr	SUDHIR	2011/01/25	Product family		D-SUB	Spec ref	-		

www.fciconnect.com		surface	ISO 1302	tolerance std	ISO 406 ISO 1101					
		TOLERANCES UNLESS OTHERWISE SPECIFIED								

Dr	BART	2004/02/26	MALE SCREW LOCKS	Rev.	G
Eng	PESSON	2004/02/26	D SUB ACCESSORIES	CUSTOMER	C01-8655-1588
Chr	ABHILASH	2011/01/25	SHELL 50	sheet	1 of 1
Appr	SUDHIR	2011/01/25	catalog no		

NOTE: ROHS INFORMATIONS

- The "LF" products meet European union Directives and other country regulations as described in GS-22-008.
- Plating Sn (pure bright) over copper
- Packaging spec: see GS-14-920

rev	ecn no	dr	date
A	-	BAR	2004/02/26
B	LS05-0026	MPE	2005/07/08
C	LS06-0097	LGO	2006/07/28
D	LS09-0006	PCR	2009/01/08
E	111-0022	AMR	2011/01/25
F	ELX-H-011686	PK	2012/05/09
G	ELX-H-011686	PK	2012/05/21

REV F - 2006-04-17

1 2 3 4