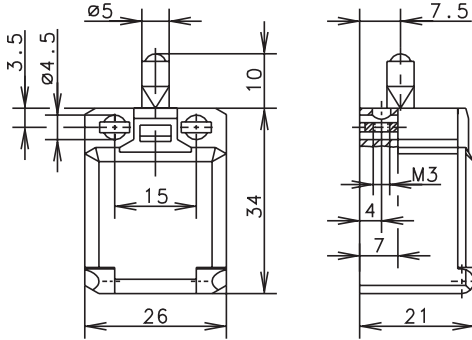


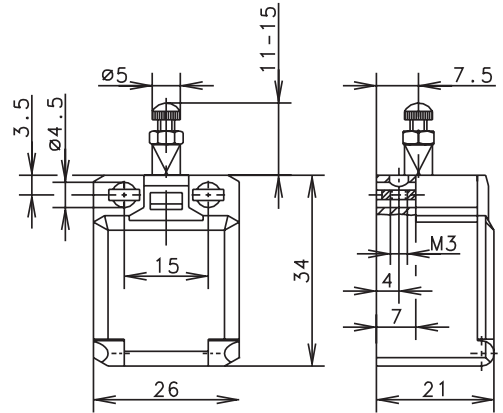
**C2 Series**



**W**



**ST**



Switching Operation	Slow Action	Snap Action	Slow Action	Snap Action
<b>1 NC / 1 NO Contacts</b>	<b>600.8101.001</b> C2-U1Z 	<b>600.8351.002</b> C2-SU1Z 	<b>600.8104.025</b> C2-U1Z ST 	<b>600.8354.026</b> C2-SU1Z ST 
<b>2 NC Contacts</b>	<b>600.8801.003</b> C2-A2Z 	<b>600.8851.004</b> C2-SA2Z 	<b>600.8804.027</b> C2-A2Z ST 	-
<b>2 NO Contacts</b>	<b>600.8801.005</b> C2-E2 	<b>600.8851.006</b> C2-SE2 	<b>600.8804.029</b> C2-E2 ST 	<b>600.8854.030</b> C2-SE2 ST 
<b>1 NC / 1 NO Contacts Overlapping</b>	-	-	-	-

**Technical Information**

	Slow Action	Snap Action	Slow Action	Snap Action
Maximum Switching Voltage	240V	240V	240V	240V
Maximum Switching Amperage	10A	10A	10A	10A
B10d	6 Million	6 Million	6 Million	6 Million
Mechanical Service Life	3 x 10 <sup>6</sup>	3 x 10 <sup>6</sup>	3 x 10 <sup>6</sup>	3 x 10 <sup>6</sup>
Switching Frequency	≤ 100/min	≤ 100/min	≤ 100/min	≤ 100/min
Operating Temperature	-30 °C to +80 °C	-30 °C to +80 °C	-30 °C to +80 °C	-30 °C to +80 °C
Protection Rating	IP20	IP20	IP20	IP20
Utilization Category	AC-15, Ue/Ue 240V 3A	AC-15, Ue/Ue 240V 3A	AC-15, Ue/Ue 240V 3A	AC-15, Ue/Ue 240V 3A
Rate Insulation Voltage	240VAC	240VAC	240VAC	240VAC
Approvals				

**Special features / variants**

- Actuator length adjustable with threaded screw

*Drawing dimensions in mm*