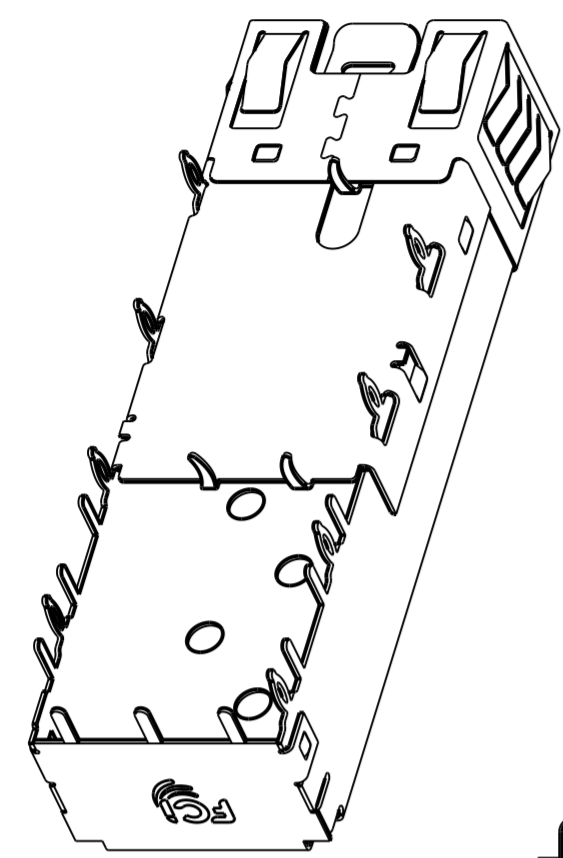
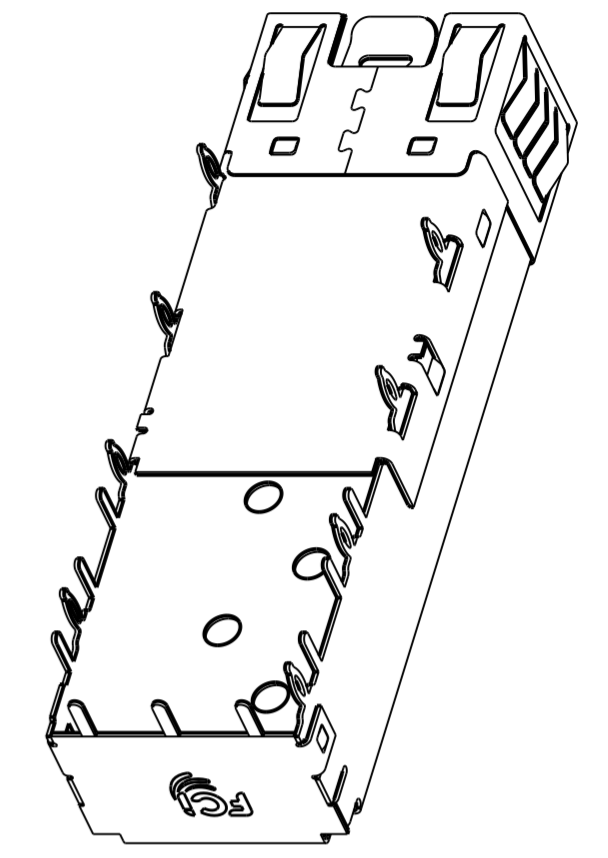
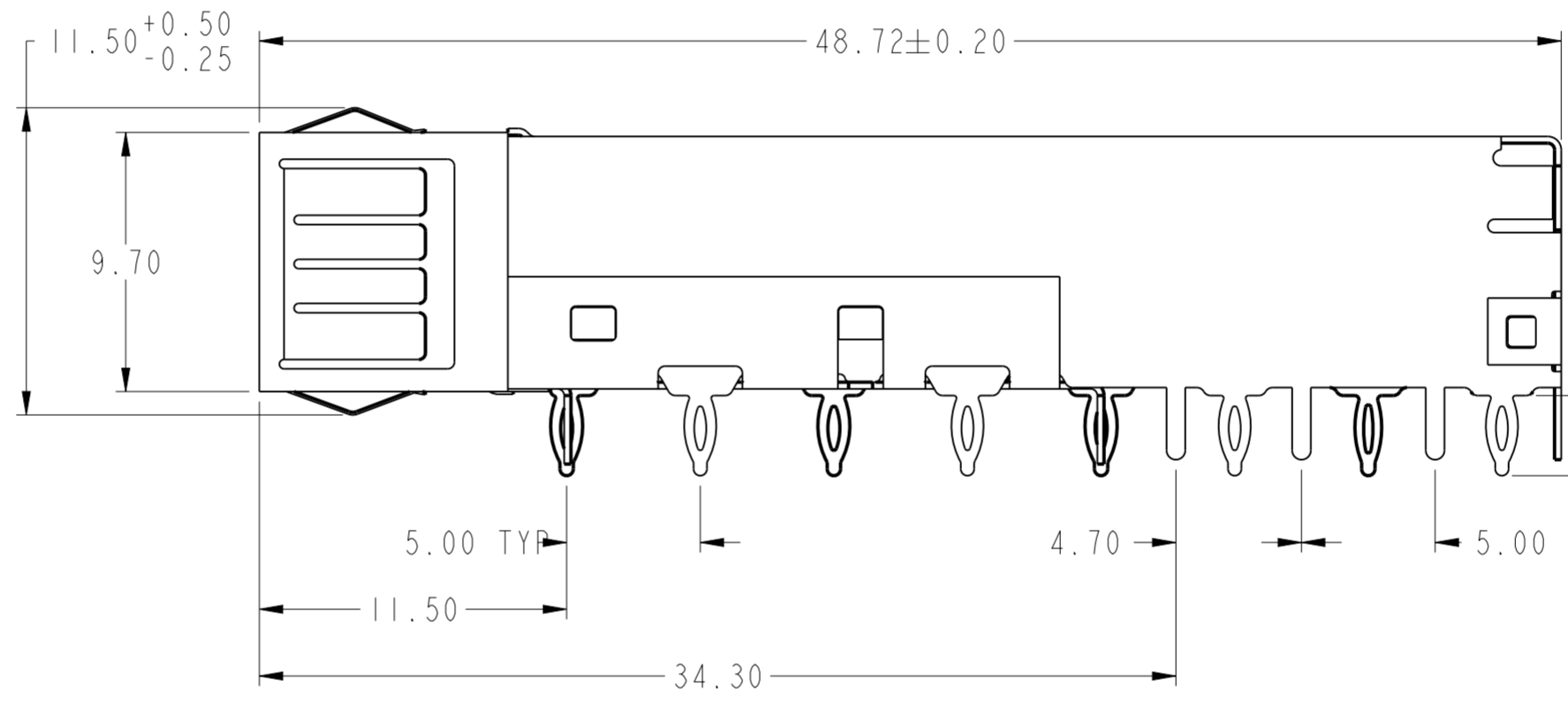
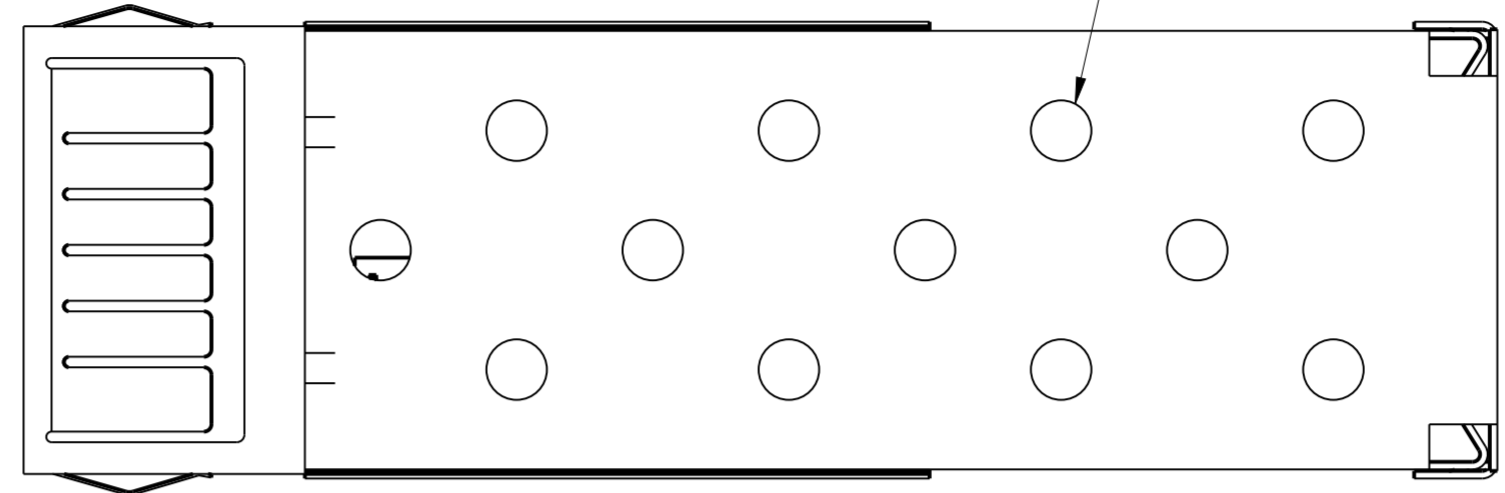
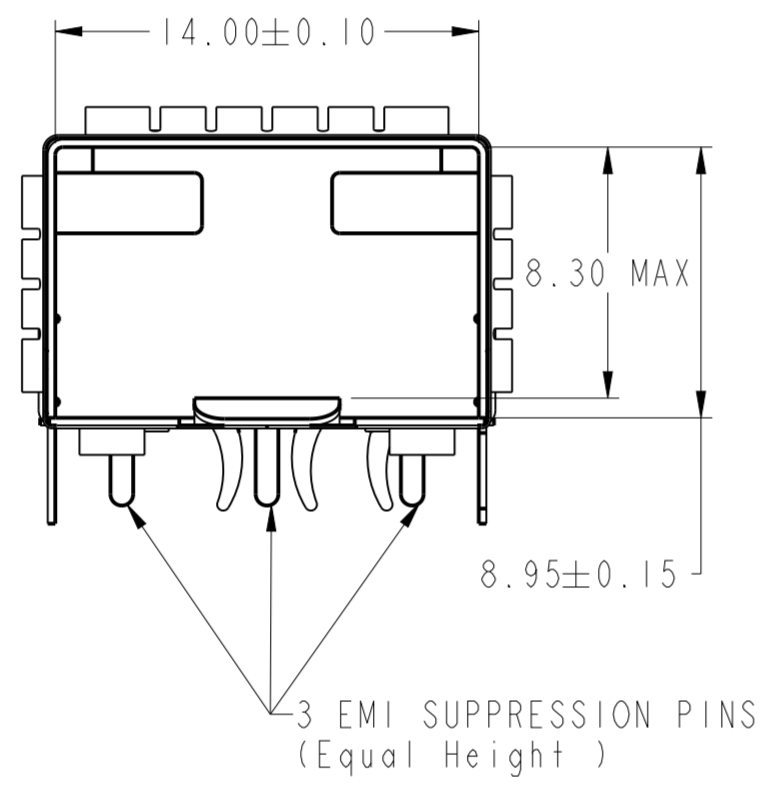


PRODUCT NUMBER	TYPE	TOP CAGE HOLE	PACKAGE
10122382-101LF	3 EMI SUPPRESSION PINS IN TOP CAGE & COMPLIANT PINS IN BOTTOM CAGE	WITHOUT HOLE	TRAY
10122382-102LF	3 EMI SUPPRESSION PINS IN TOP CAGE & COMPLIANT PINS IN BOTTOM CAGE	WITH HOLE	TRAY
10122382-202LF	3 EMI SUPPRESSION PINS IN TOP CAGE & NO COMPLIANT PINS IN BOTTOM CAGE	WITH HOLE	TRAY
10122382-112LF	3 EMI SUPPRESSION PINS IN TOP CAGE & COMPLIANT PINS IN BOTTOM CAGE	WITH HOLE	Tape&Reel

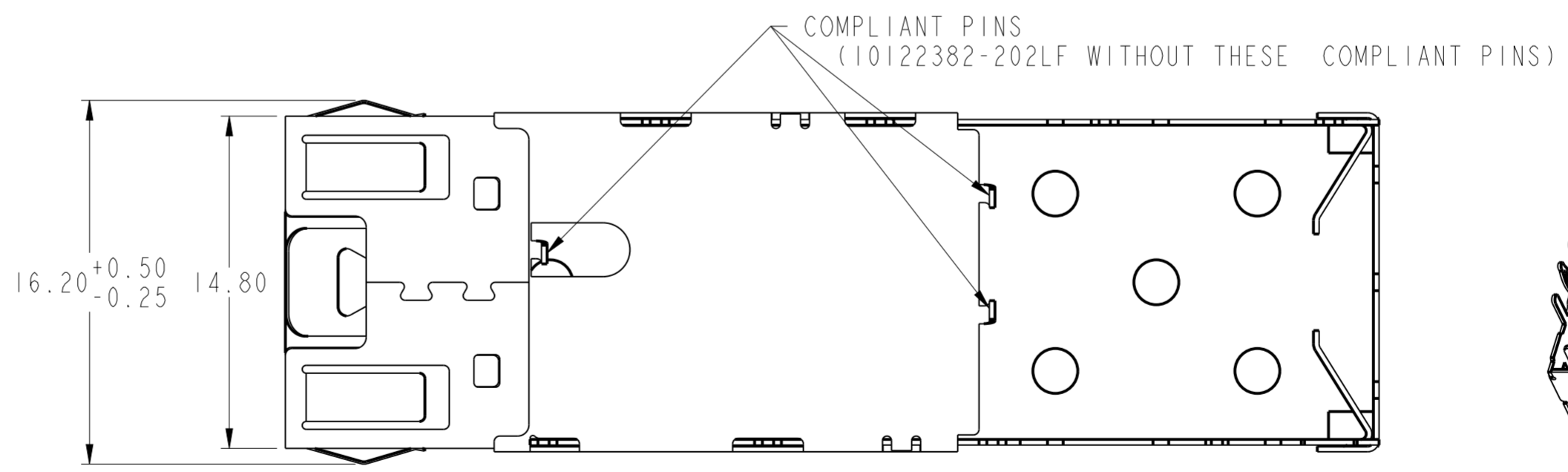
12x TOP CAGE HOLES
SEE TABLE
(10122382-101LF WITHOUT HOLES)



10122382-102LF
SFP+ IXI CAGE BASIC TYPE



10122382-202LF
(NO COMPLIANT PINS IN BOTTOM CAGE)



10122382-102LF
3 EMI SUPPRESSION PINS IN TOP CAGE & COMPLIANT PINS IN BOTTOM CAGE

10122382-101LF
(NO TOP CAGE HOLES FOR BETTER EMI PERFORMANCE)

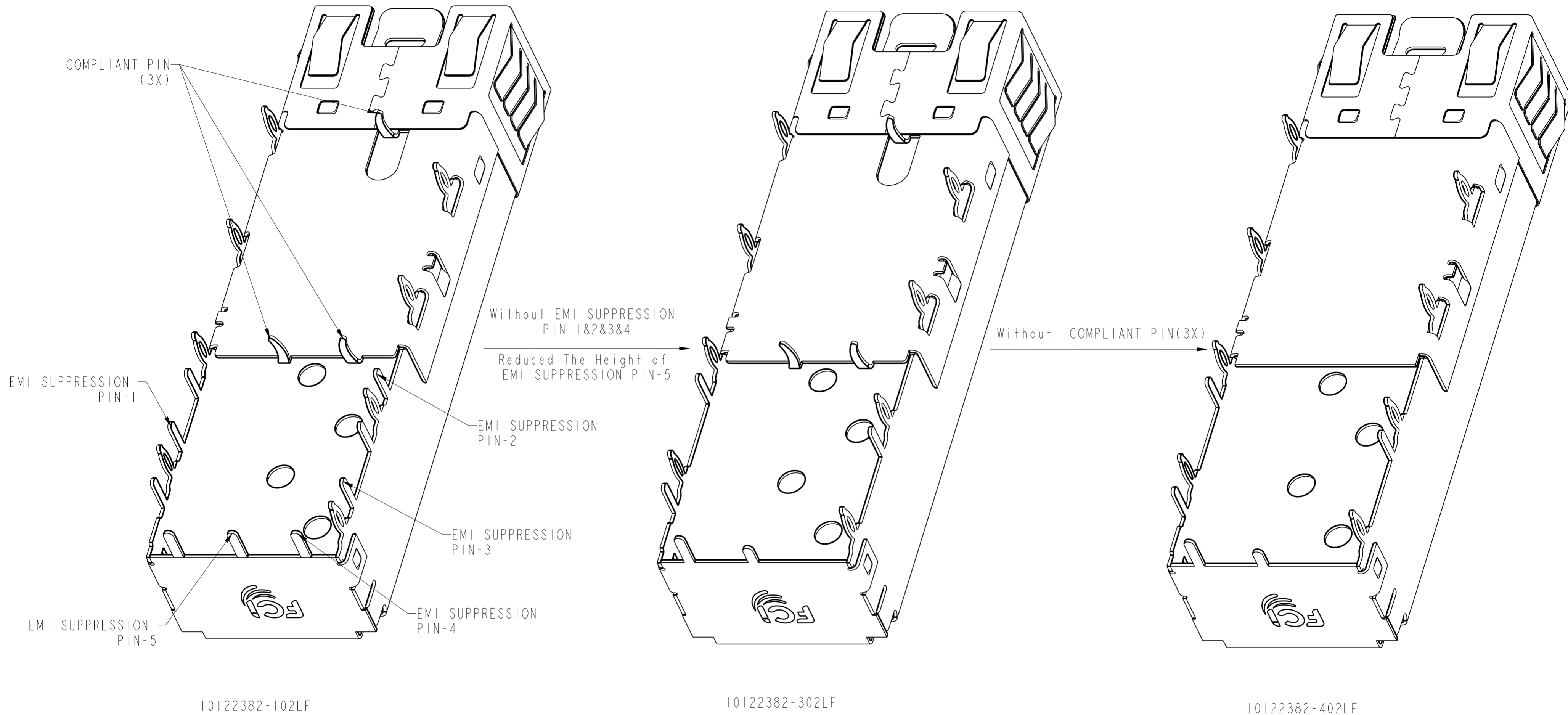
- NOTES:
- MATERIAL:
CAGE BODY: NICKEL SILVER ALLOY
EMI SPRING: STAINLESS STEEL
INSULATION TAPE: SILICON POLYIMIDE
 - DATUM AND BASIC DIMENSIONS ARE ESTABLISHED BY CUSTOMER.
 - PADS AND VIAS ARE CHASSIS GROUND, 11 PLACES.
 - THROUGH HOLES, PLATING OPTIONAL.
 - CROSS-HATCHED AREA DENOTES COMPONENT AND TRACE KEEP-OUT (EXCEPT CHASSIS GROUND).
 - THIS AREA DENOTES COMPONENT KEEP-OUT (TRACES ALLOWED).
 - PRODUCT SPECIFICATION: GS-12-1165
 - APPLICATION SPECIFICATION: GS-20-0384
 - PACKAGE PER GS-14-2344 AND GS-14-920
 - PRODUCT MEETS EUROPEAN UNION DIRECTIVES AND OTHER COUNTRY REGULATIONS AS DESCRIBED IN GS-22-008.

spec ref	RELEASE	dr	LhA	2016-02-16	projection	MM	size	A2	scale	4:1
tolerance std	TOLERANCES UNLESS OTHERWISE SPECIFIED	eng	LhA	2016-02-16			ecn no	MD-0576	rel level Released	rev D
ASME Y14.5		chr		app			Pei-Ming-Zhang	2016-02-16		
surface	linear	0.X	±0.25	Amphenol FCI		SFP+ IXI Cage EMI SPRING TYPE		cat. no. 10122382	Product - Customer Draw	sheet 1 of 6
ISO 1302	angular	0°	±2°	PDS: Rev :D		STATUS: Released		Printed: Aug 18, 2016		

Amphenol FCI

© 2016 APCI

PRODUCT NUMBER	TYPE	TOP CAGE HOLE	PACKAGE
10122382-302LF	2 EMI SUPPRESSION PINS IN TOP CAGE & COMPLIANT PINS IN BOTTOM CAGE	WITH HOLE	TRAY
10122382-402LF	2 EMI SUPPRESSION PINS IN TOP CAGE & NO COMPLIANT PINS IN BOTTOM CAGE	WITH HOLE	TRAY



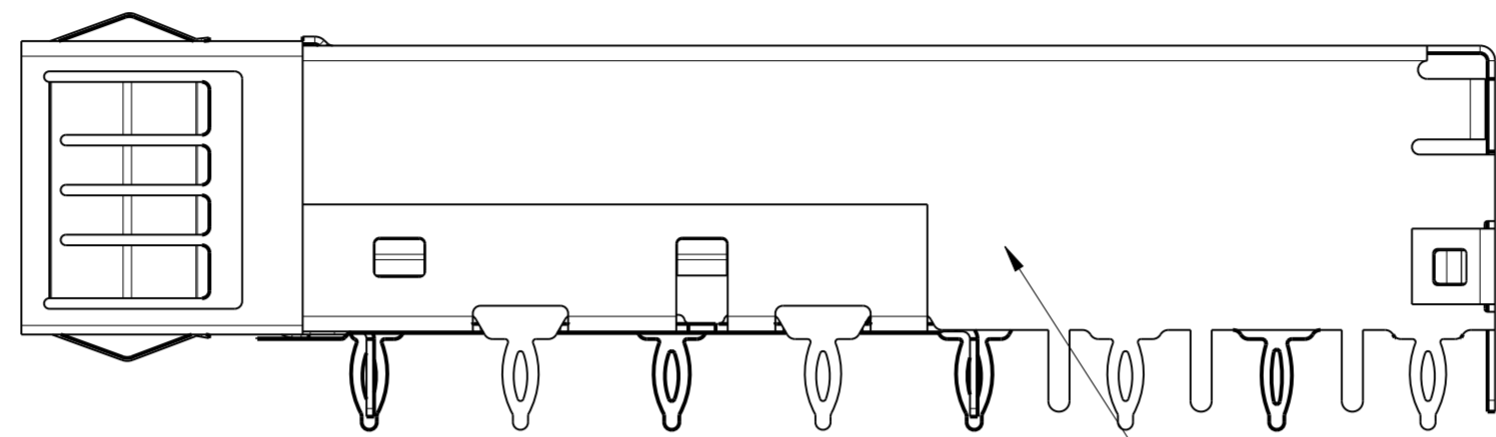
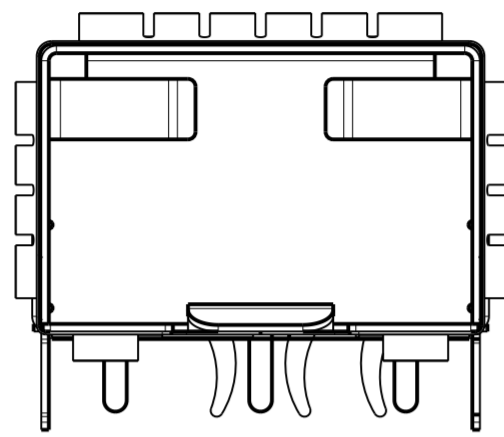
10122382-302LF/402LF WILL ALLOW FOR BELLY TO BELLY MOUNTING.

Amphenol
FCi

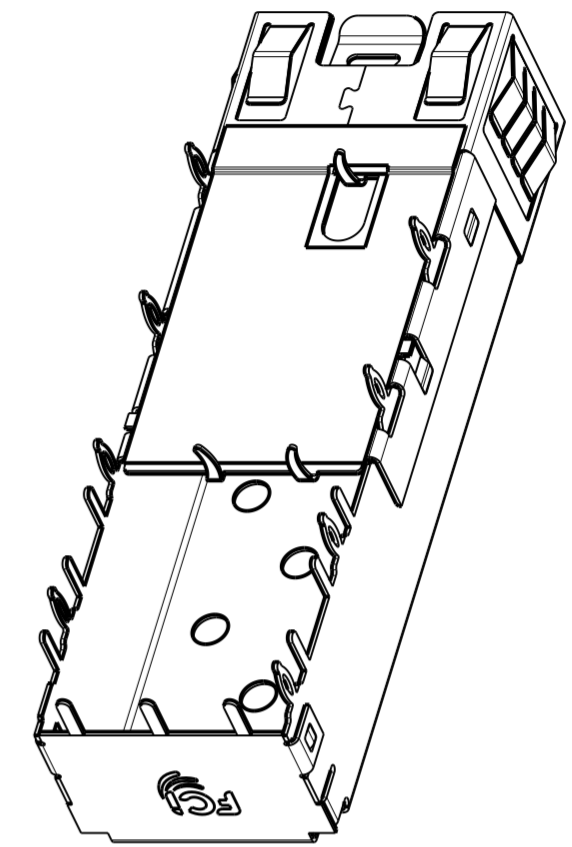
© 2016 AFci

spec ref	RELEASE	dr	LhA	2016-02-16	projection	MM	size	A2	scale	5:1
tolerance std	ASME Y14.5	eng	LhA	2016-02-16			ecn no	ND-0079		
	TOLERANCES UNLESS OTHERWISE SPECIFIED	chr					rel level	Released		
surface	linear	appr	Pei-Ming.Zhang	2016-02-16	product family	SFP+	cat. no.	10122382	rev	D
ISO 1302	angular	Amphenol FCi		TITLE		SFP+ IXI Cage		Product - Customer Draw		
										sheet 2 of 6

PRODUCT NUMBER	TYPE	TOP CAGE HOLE	PACKAGE
10122382-502LF	CAGE WITH INSULATION TAPE	WITH HOLE	TRAY

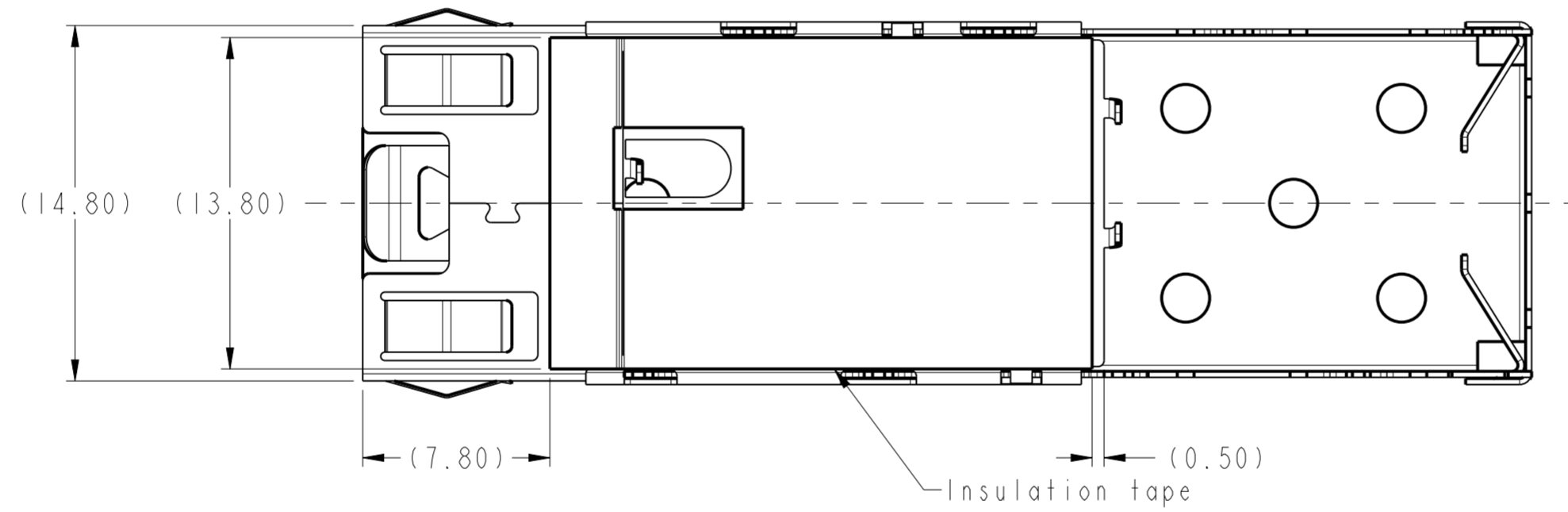


Cage 10122382-102LF



SCALE 5:2

10122382-502LF
(A MYLAR ON THE BOTTOM FOR INSULATION PROTECTION)



Amphenol
FCi

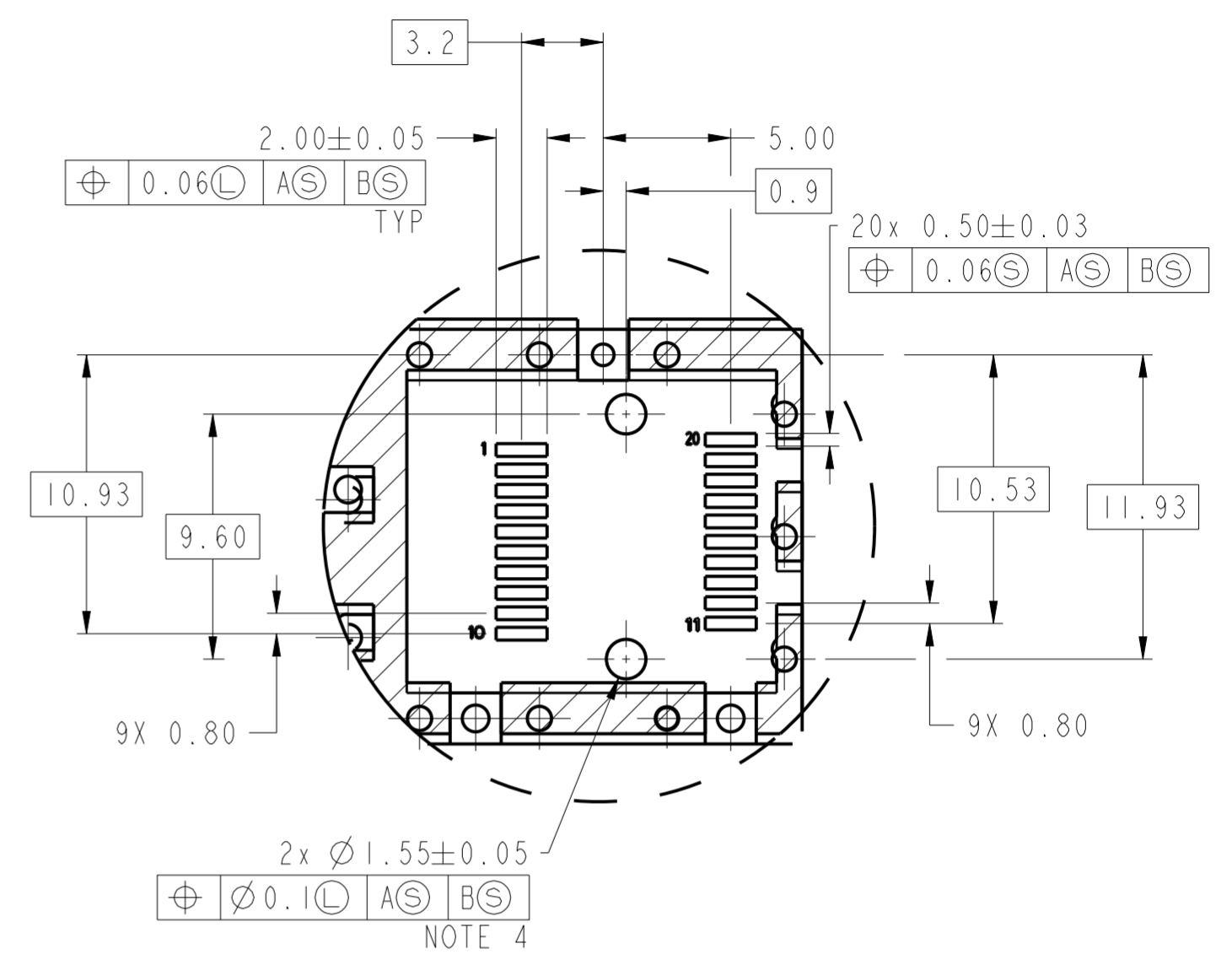
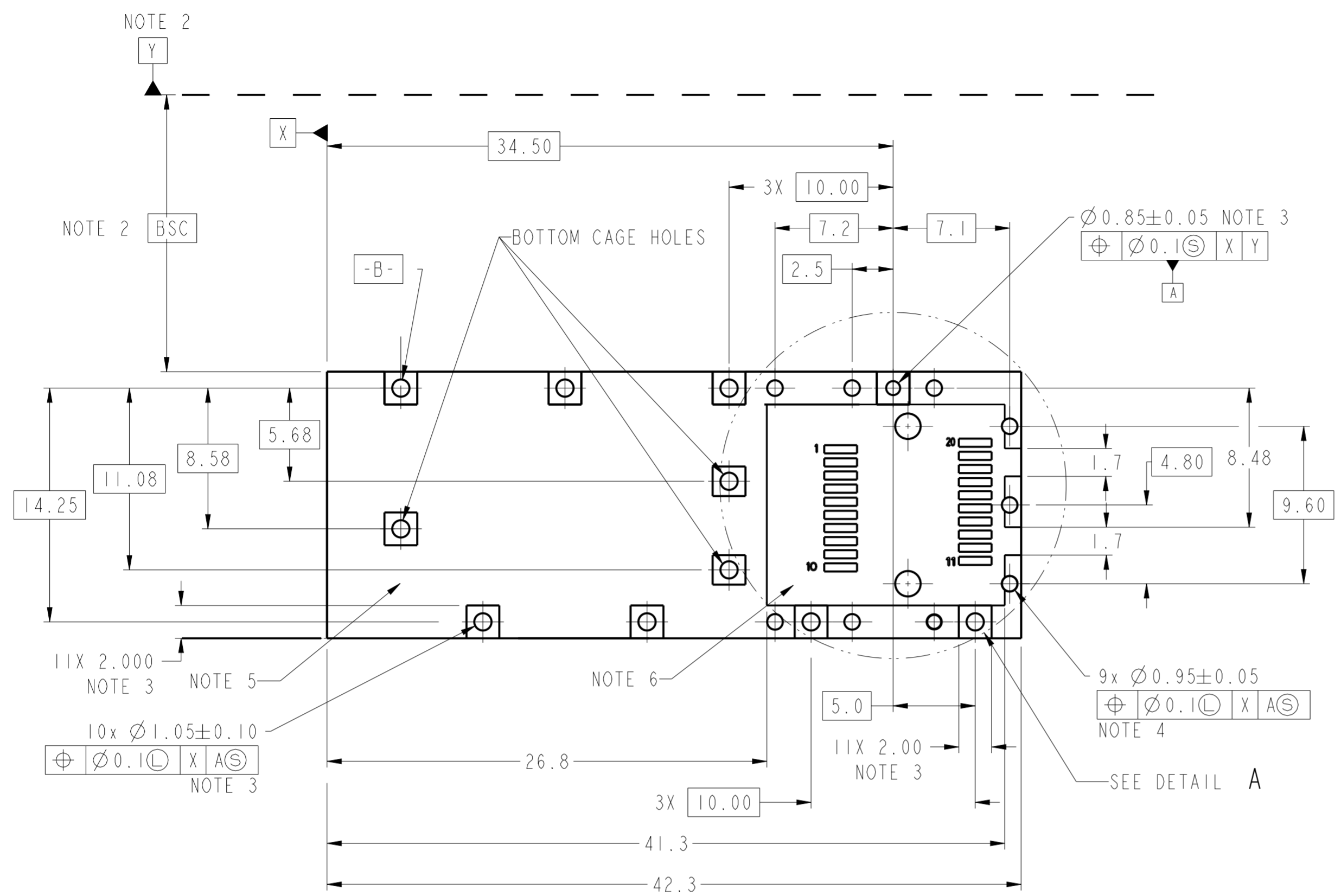
© 2016 AFci

spec ref	RELEASE	dr	LhA	2016-02-16	projection	MM	size	A2	scale	4:1
tolerance std	ASME Y14.5	eng	LhA	2016-02-16	chr		ecn no	ND-0576		
	TOLERANCES UNLESS OTHERWISE SPECIFIED	appr	Pei-Ming.Zhang	2016-02-16	product family	SFP+	rel level	Released		
surface	linear	0.X	±0.25							
		0.XX	±0.15							
		0.XXX	±-							
ISO 1302	angular	0°	±2°							
		Amphenol FCi		SFP+ IXI Cage		EMI SPRING TYPE		10122382		D
				Product - Customer Drw		sheet 3 of 6				

PDS: Rev :D

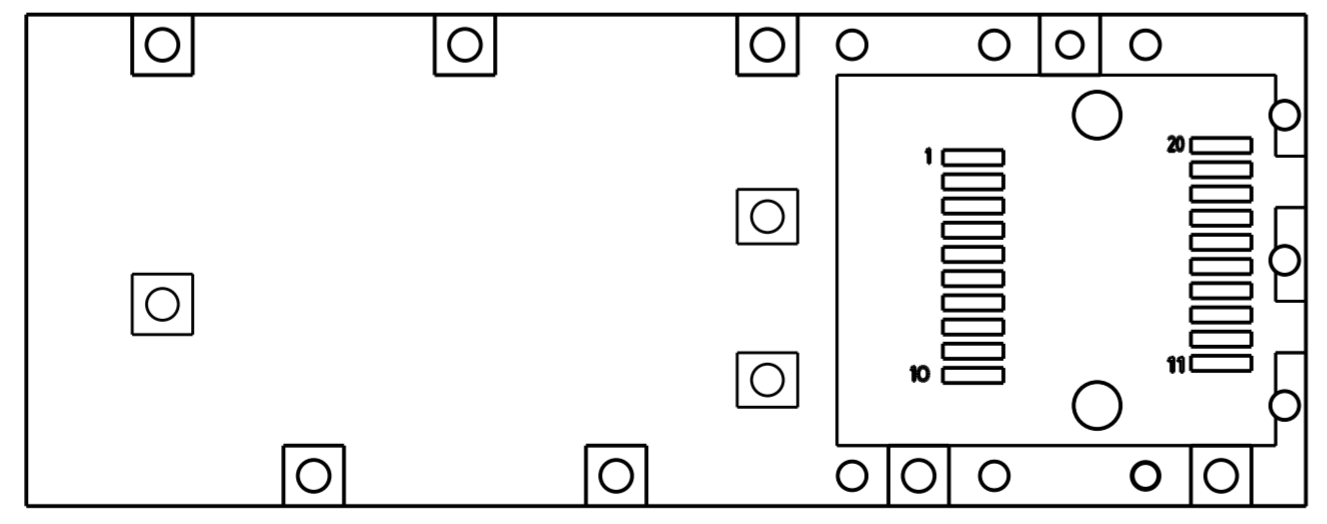
STATUS:Released

Printed: Aug 18, 2016



10122382-101LF/102LF/302LF/502LF
HOST BOARD MECHANICAL LAYOUT
SINGLE SIDED APPLICATIONS

DETAIL A: HOST CONNECTOR LAYOUT
SCALE 4:1



10122382-202LF
HOST BOARD MECHANICAL LAYOUT
SINGLE SIDED APPLICATIONS
(ONLY WITHOUT BOTTOM CAGE HOLES)

NOTE:
SEE SHEET 4 FOR
HOST CONNECTOR LAYOUT

Amphenol
FCi

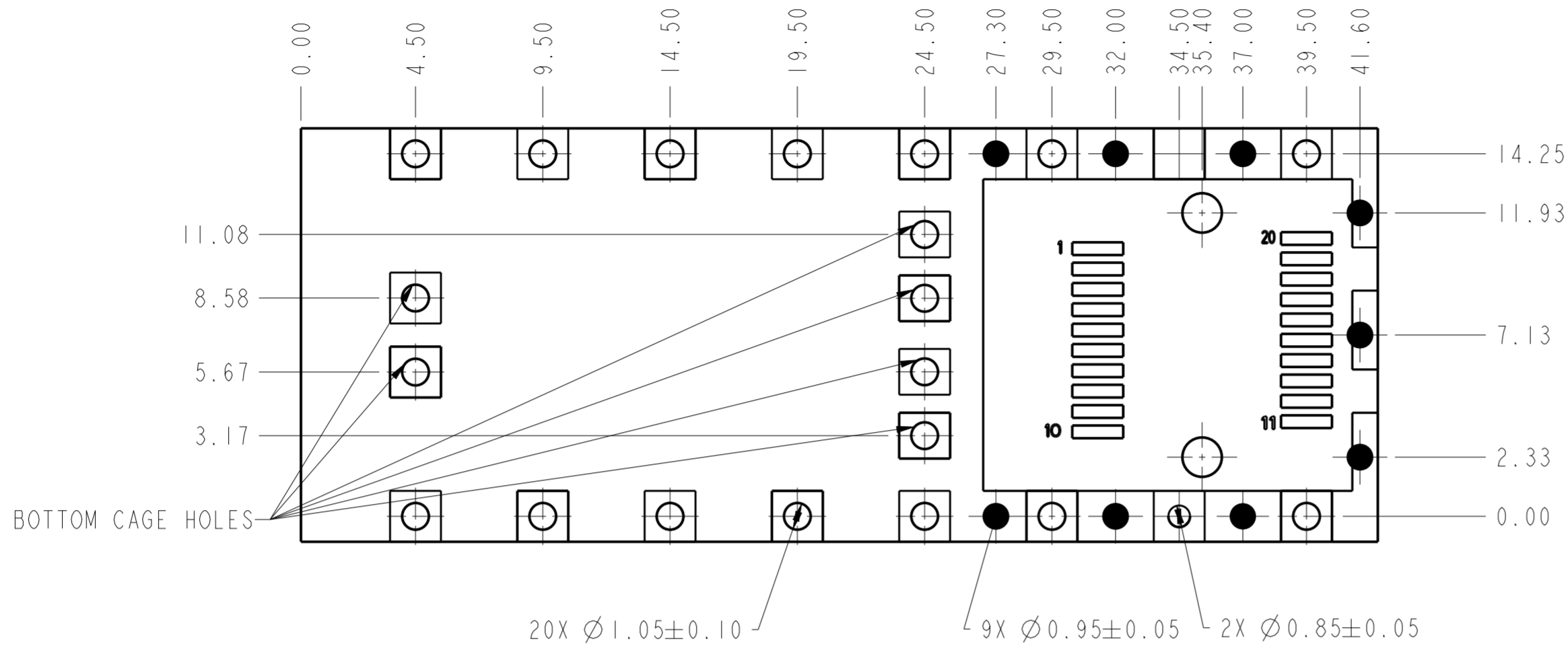
© 2016 APCI

spec ref	RELEASE	dr	LhA	2016-02-16	projection	MM	size	A2	scale	4:1
tolerance std	ASME Y14.5	eng	LhA	2016-02-16	chr		ecn no	MD-0576		
	TOLERANCES UNLESS OTHERWISE SPECIFIED	appr	Pei-Ming-Zhang	2016-02-16	product family		rel level	Released		
surface	linear	Amphenol FCi			SFP+ 1XI Cage EMI SPRING TYPE		cat. no.	10122382	rev	D
ISO 1302	angular				Product - Customer Drw		sheet 4 of 6			

PDS: Rev :D

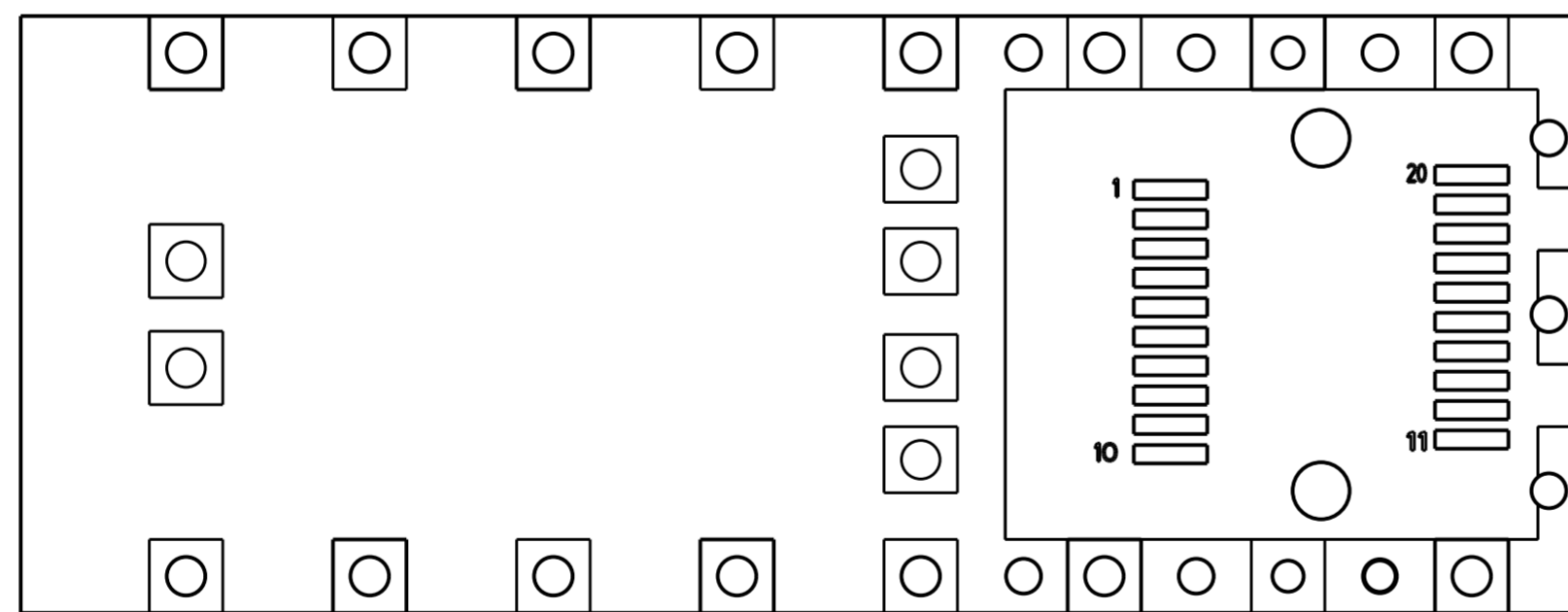
STATUS: Released

Printed: Aug 18, 2016



NOTE:
SEE SHEET 4 FOR
HOST CONNECTOR LAYOUT

10122382-302LF
HOST BOARD MECHANICAL LAYOUT
BELLY TO BELLY APPLICATIONS



NOTE:
SEE SHEET 4 FOR
HOST CONNECTOR LAYOUT

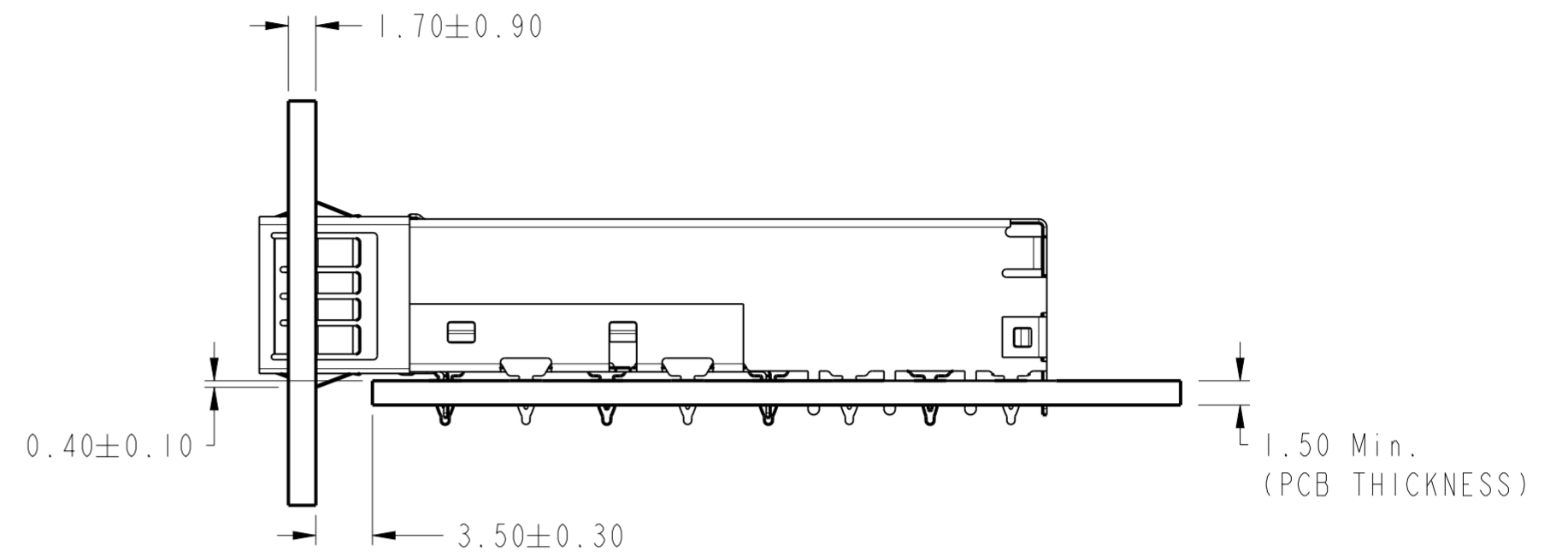
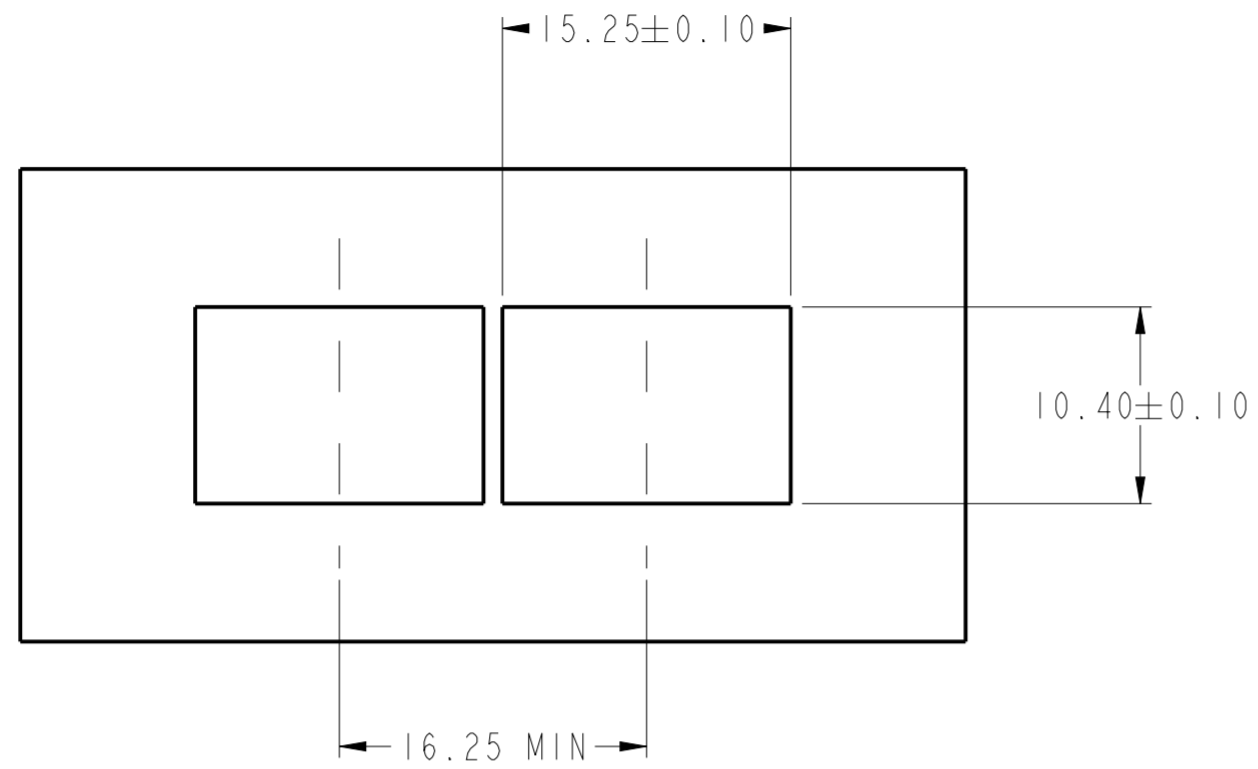
10122382-402LF
HOST BOARD MECHANICAL LAYOUT
BELLY TO BELLY APPLICATIONS
(ONLY WITHOUT BOTTOM CAGE HOLES)

spec ref	RELEASE	dr	LhA	2016-02-16	projection	MM	size	A2	scale	1:1
tolerance std	ASME Y14.5	eng	LhA	2016-02-16	chr		ecn no	MD-0076	rel level	Released
surface	ISO 1302	appr	Pei-Ming-Zhang	2016-02-16	product family		cat. no.	10122382	rev	D
linear	0.X ±0.25 0.XX ±0.15 0.XXX ±	Amphenol FCI		SFP+ IXI Cage EMI SPRING TYPE		Product - Customer Drw		sheet 5 of 6		
angular	0° ±2°	PDS: Rev :D		STATUS: Released		Printed: Aug 18, 2016				

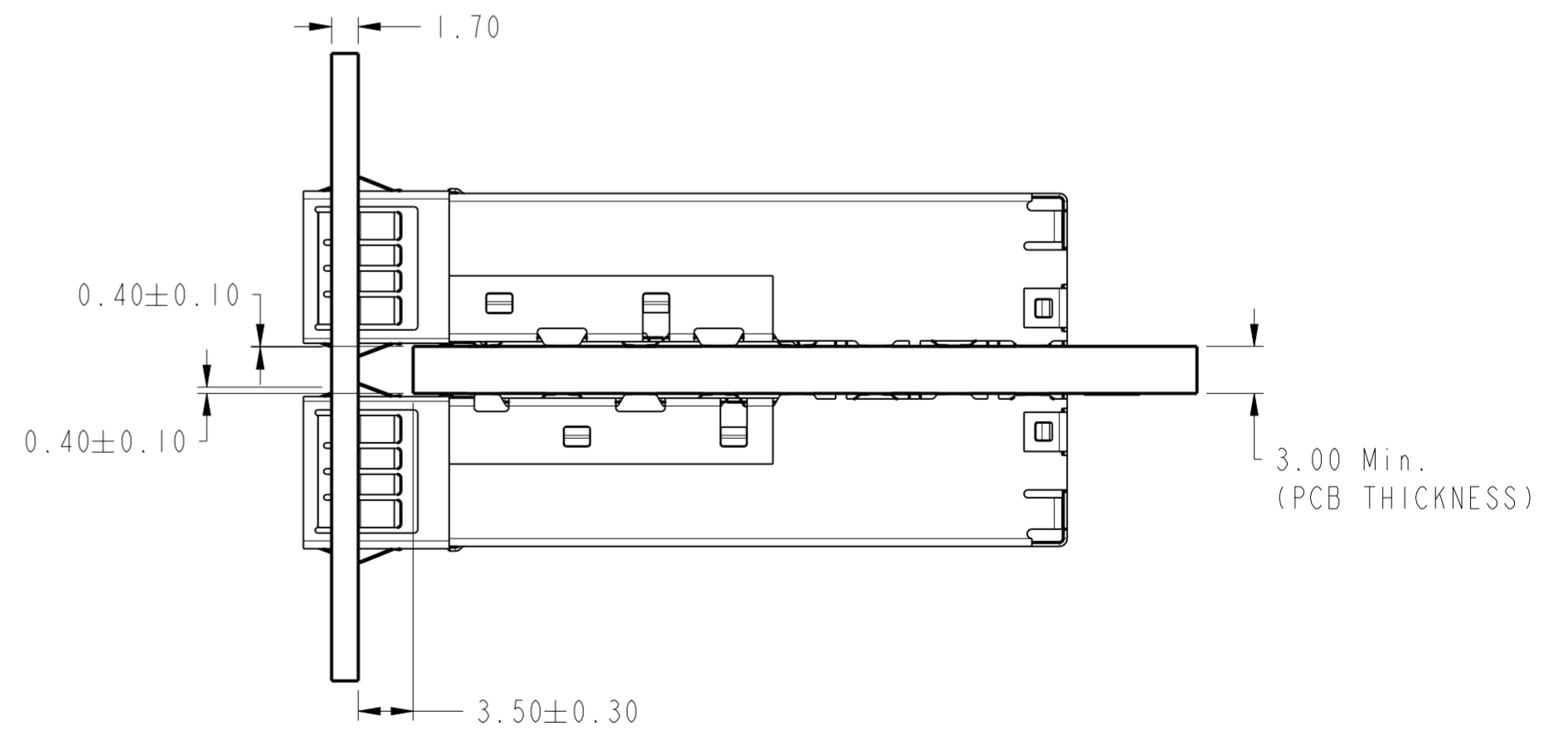
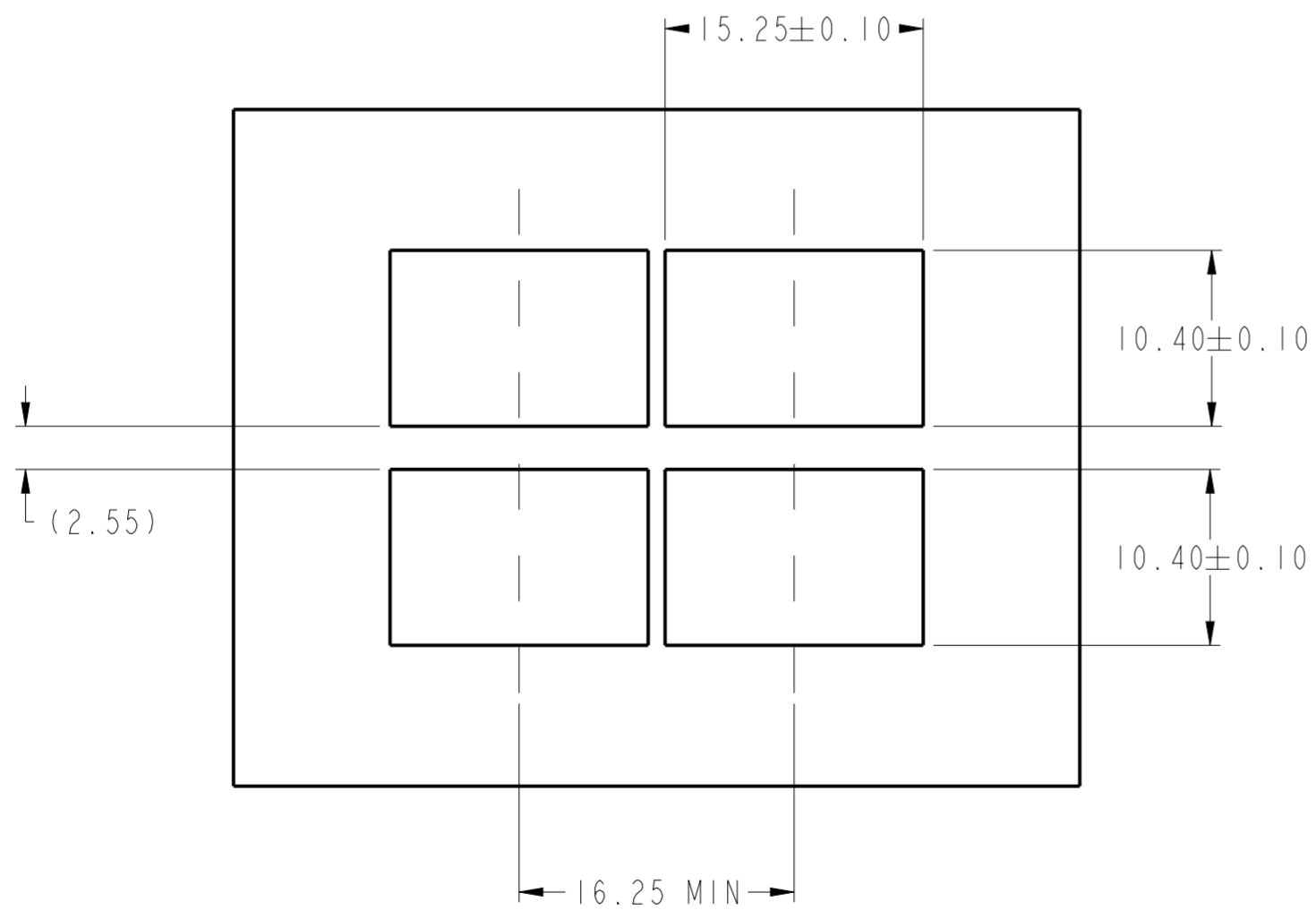
Amphenol FCI

© 2016 APCI

BEZEL AND BOARD POSITION DIMENSIONS FOR SINGLE SIDE MOUNTING
(EMI SPRING FINGER)



10122382-302LF/402LF
BEZEL AND BOARD POSITION DIMENSIONS FOR BELLY TO BELLY MOUNTING
(EMI SPRING FINGER)



spec ref	RELEASE	dr	LhA	2016-02-16	projection	MM	size	A2	scale	1:1
tolerance std	ASME Y14.5	eng	LhA	2016-02-16	chr		ecn no	ND-0576		
	TOLERANCES UNLESS OTHERWISE SPECIFIED	appr	Pei-Ming.Zhang	2016-02-16	product family	SFP+	rel level	Released		
surface	linear	0.X	±0.25				cat. no.	10122382	rev	D
		0.XX	±0.15							
		0.XXX	±							
ISO 1302	angular	0°	±2°							

Amphenol FCI
© 2016 APCI