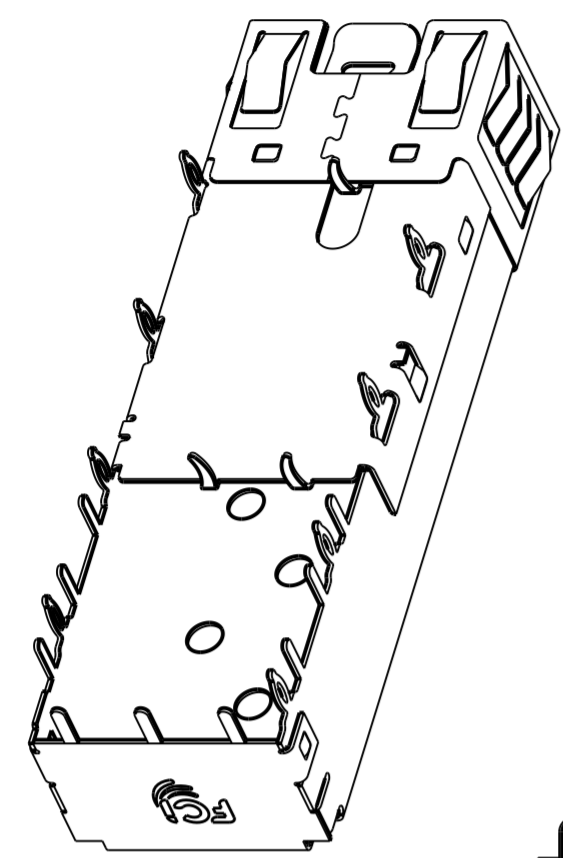
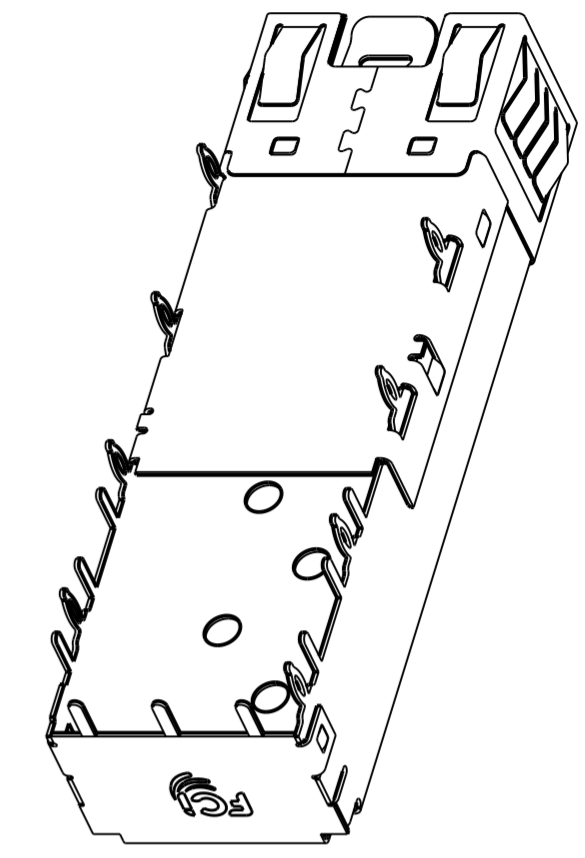
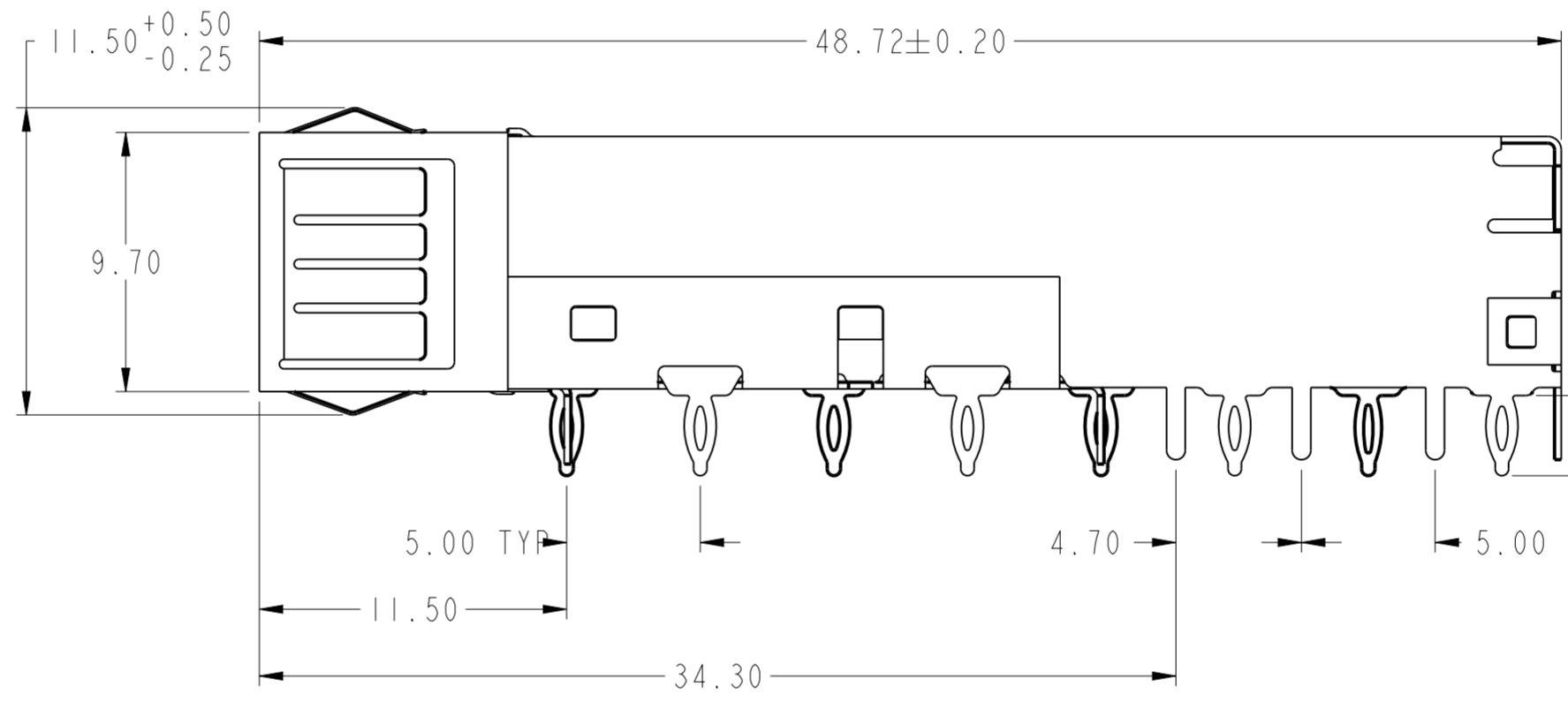
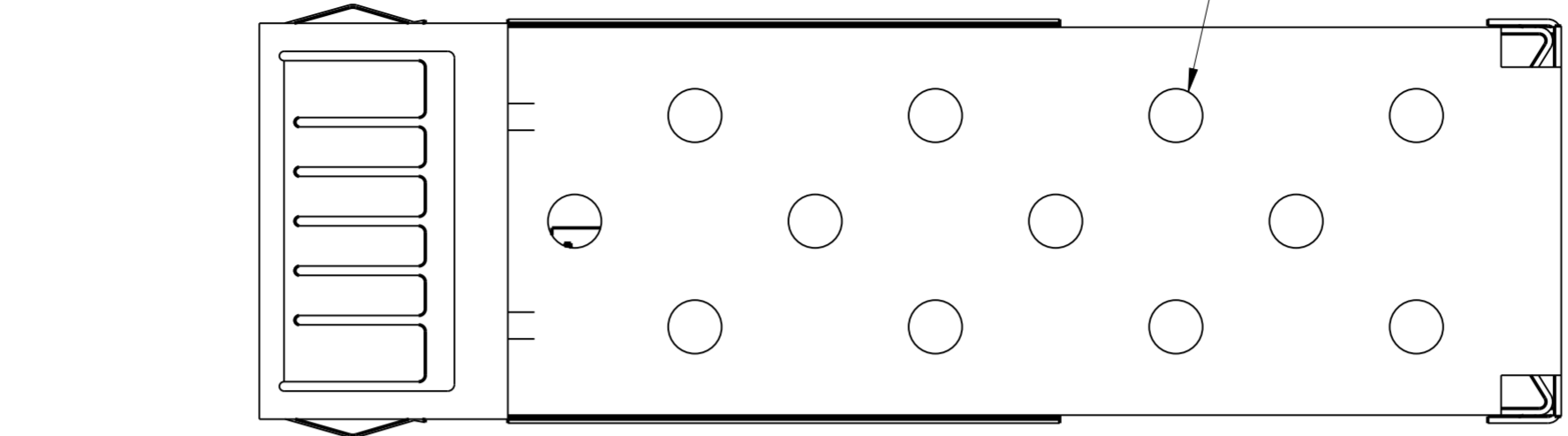
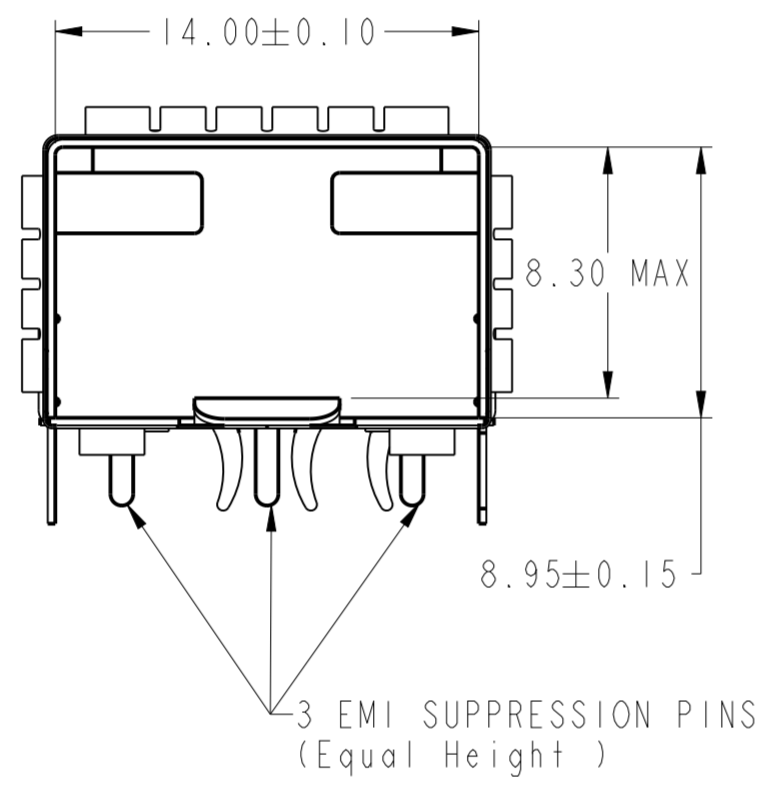


PRODUCT NUMBER	TYPE	TOP CAGE HOLE	PACKAGE
10122382-101LF	3 EMI SUPPRESSION PINS IN TOP CAGE & COMPLIANT PINS IN BOTTOM CAGE	WITHOUT HOLE	TRAY
10122382-102LF	3 EMI SUPPRESSION PINS IN TOP CAGE & COMPLIANT PINS IN BOTTOM CAGE	WITH HOLE	TRAY
10122382-202LF	3 EMI SUPPRESSION PINS IN TOP CAGE & NO COMPLIANT PINS IN BOTTOM CAGE	WITH HOLE	TRAY
10122382-112LF	3 EMI SUPPRESSION PINS IN TOP CAGE & COMPLIANT PINS IN BOTTOM CAGE	WITH HOLE	Tape&Reel

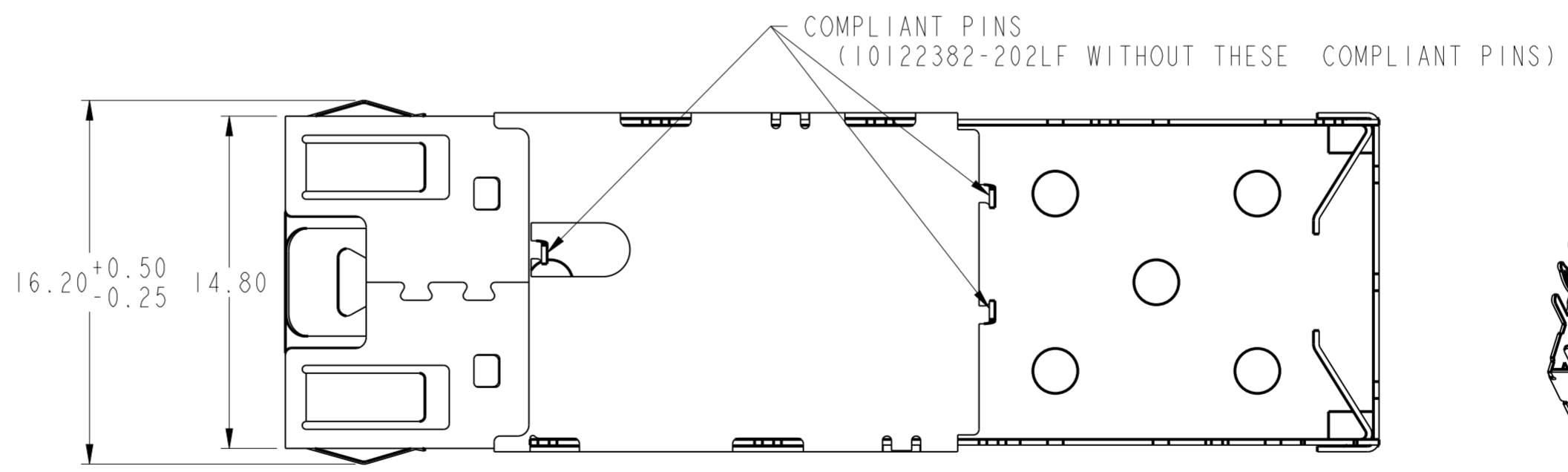
12x TOP CAGE HOLES
SEE TABLE
(10122382-101LF WITHOUT HOLES)



10122382-102LF
SFP+ IXI CAGE BASIC TYPE



10122382-202LF
(NO COMPLIANT PINS IN BOTTOM CAGE)



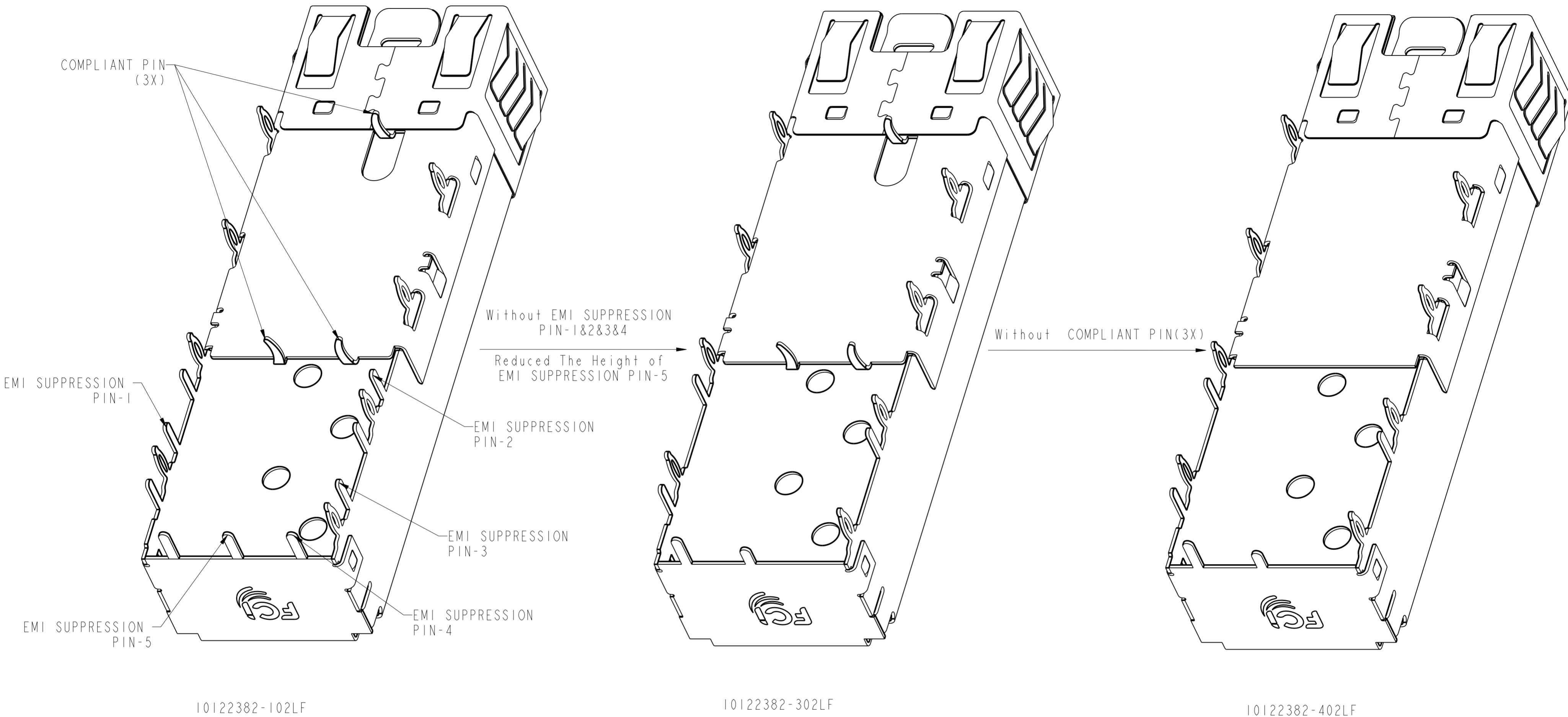
10122382-102LF
3 EMI SUPPRESSION PINS IN TOP CAGE & COMPLIANT PINS IN BOTTOM CAGE

10122382-101LF
(NO TOP CAGE HOLES FOR BETTER EMI PERFORMANCE)

- NOTES:
- MATERIAL:
CAGE BODY: NICKEL SILVER ALLOY
EMI SPRING: STAINLESS STEEL
INSULATION TAPE: SILICON POLYIMIDE
 - DATUM AND BASIC DIMENSIONS ARE ESTABLISHED BY CUSTOMER.
 - PADS AND VIAS ARE CHASSIS GROUND, 11 PLACES.
 - THROUGH HOLES, PLATING OPTIONAL.
 - CROSS-HATCHED AREA DENOTES COMPONENT AND TRACE KEEP-OUT (EXCEPT CHASSIS GROUND).
 - THIS AREA DENOTES COMPONENT KEEP-OUT (TRACES ALLOWED).
 - PRODUCT SPECIFICATION: GS-12-1165
 - APPLICATION SPECIFICATION: GS-20-0384
 - PACKAGE PER GS-14-2344 AND GS-14-920
 - PRODUCT MEETS EUROPEAN UNION DIRECTIVES AND OTHER COUNTRY REGULATIONS AS DESCRIBED IN GS-22-008.

spec ref	RELEASE	dr	LhA	2016-02-16	projection	MM	size	A2	scale	4:1												
tolerance std	TOLERANCES UNLESS OTHERWISE SPECIFIED	eng	LhA	2016-02-16			ecn no	MD-0576	sheet 1 of 6	rev D												
ASME Y14.5		chr		2016-02-16			product family	SFP+			rel level	Released										
surface	<table border="1"> <tr> <td>linear</td> <td>0.X</td> <td>±0.25</td> </tr> <tr> <td></td> <td>0.XX</td> <td>±0.15</td> </tr> <tr> <td></td> <td>0.XXX</td> <td>±</td> </tr> <tr> <td>angular</td> <td>0°</td> <td>±2°</td> </tr> </table>	linear	0.X	±0.25		0.XX	±0.15		0.XXX	±	angular	0°	±2°	appr	Pei-Ming Zhong	2016-02-16	Amphenol FCI		SFP+ IXI Cage EMI SPRING TYPE		cat. no. 10122382	Product - Customer Draw
linear	0.X	±0.25																				
	0.XX	±0.15																				
	0.XXX	±																				
angular	0°	±2°																				

PRODUCT NUMBER	TYPE	TOP CAGE HOLE	PACKAGE
10122382-302LF	2 EMI SUPPRESSION PINS IN TOP CAGE & COMPLIANT PINS IN BOTTOM CAGE	WITH HOLE	TRAY
10122382-402LF	2 EMI SUPPRESSION PINS IN TOP CAGE & NO COMPLIANT PINS IN BOTTOM CAGE	WITH HOLE	TRAY



10122382-302LF/402LF WILL ALLOW FOR BELLY TO BELLY MOUNTING.

Amphenol
FCi

© 2016 AFci

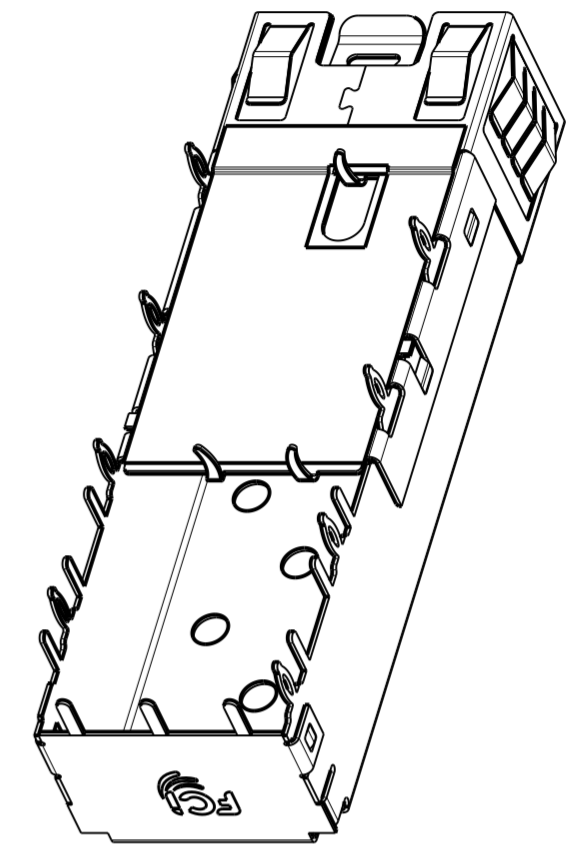
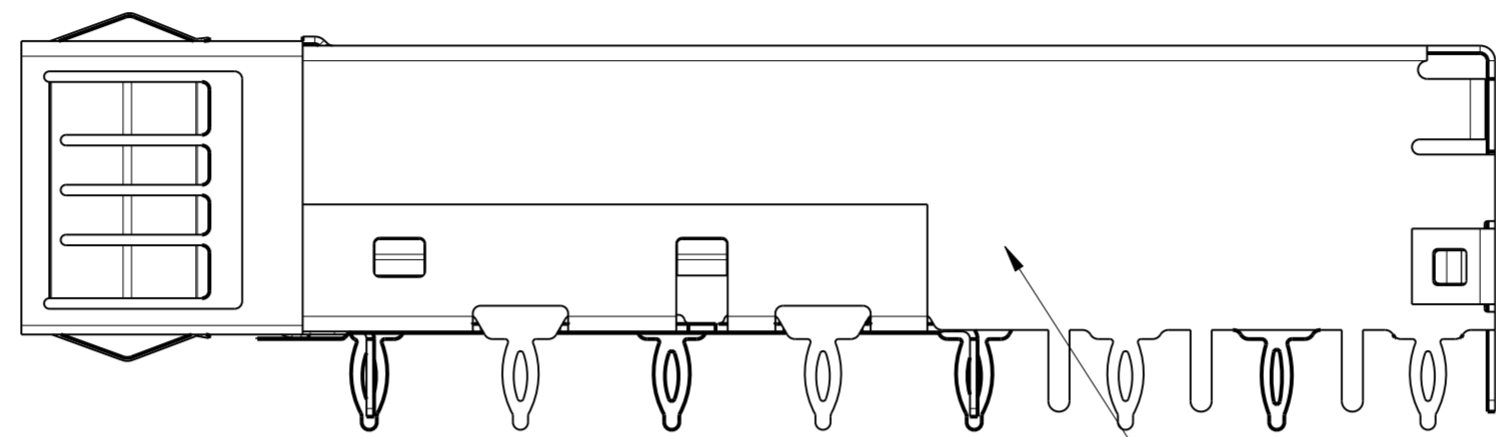
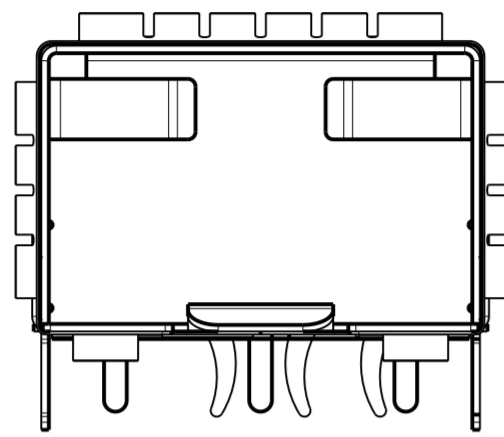
spec ref	RELEASE	dr	LhA	2016-02-16	projection	MM	size	A2	scale	5:1
tolerance std	ASME Y14.5	eng	LhA	2016-02-16			ecn no	ND-0079		
	TOLERANCES UNLESS OTHERWISE SPECIFIED	chr		appr			Pei-Ming-Zhang	2016-02-16	product family	SFP+
surface	linear	0.X	±0.25		Amphenol FCI		SFP+ 1X1 Cage		dwg no 10122382	rev D
		0.XX	±0.15		EMI SPRING TYPE		Product - Customer Draw			
ISO 1302	angular	0°	±2°		cat. no.		sheet 2 of 6			

PDS: Rev :D

STATUS:Released

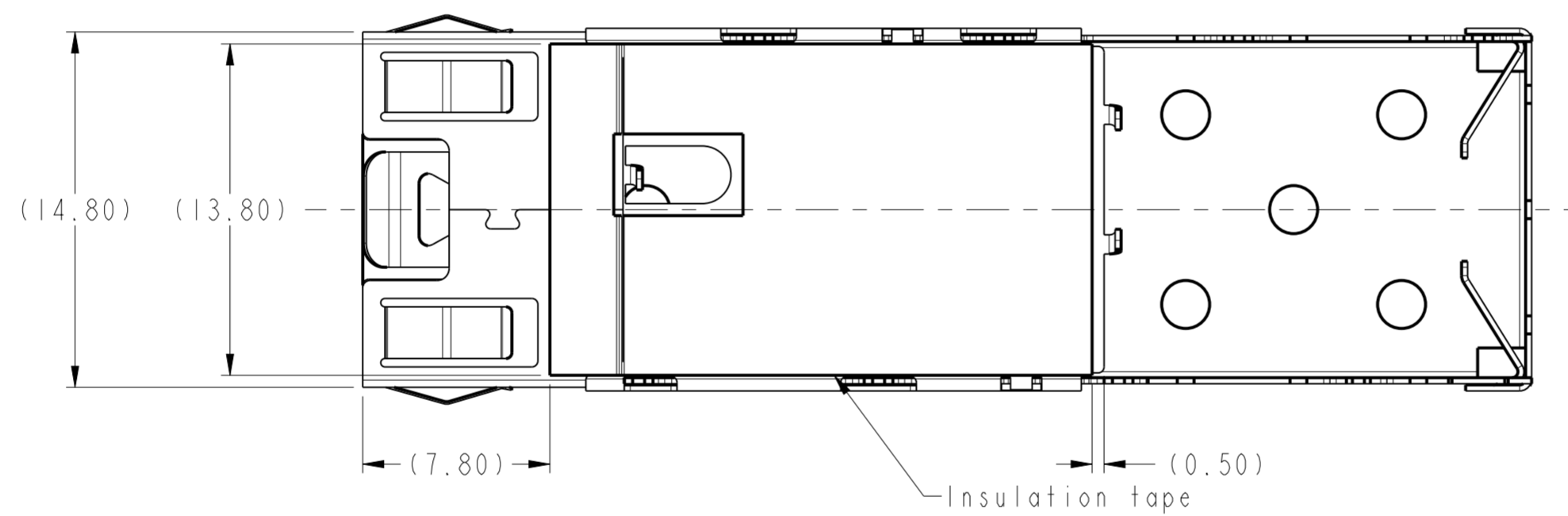
Printed: Aug 18, 2016

PRODUCT NUMBER	TYPE	TOP CAGE HOLE	PACKAGE
10122382-502LF	CAGE WITH INSULATION TAPE	WITH HOLE	TRAY



SCALE 5:2

10122382-502LF
(A MYLAR ON THE BOTTOM FOR INSULATION PROTECTION)



Amphenol
FCi

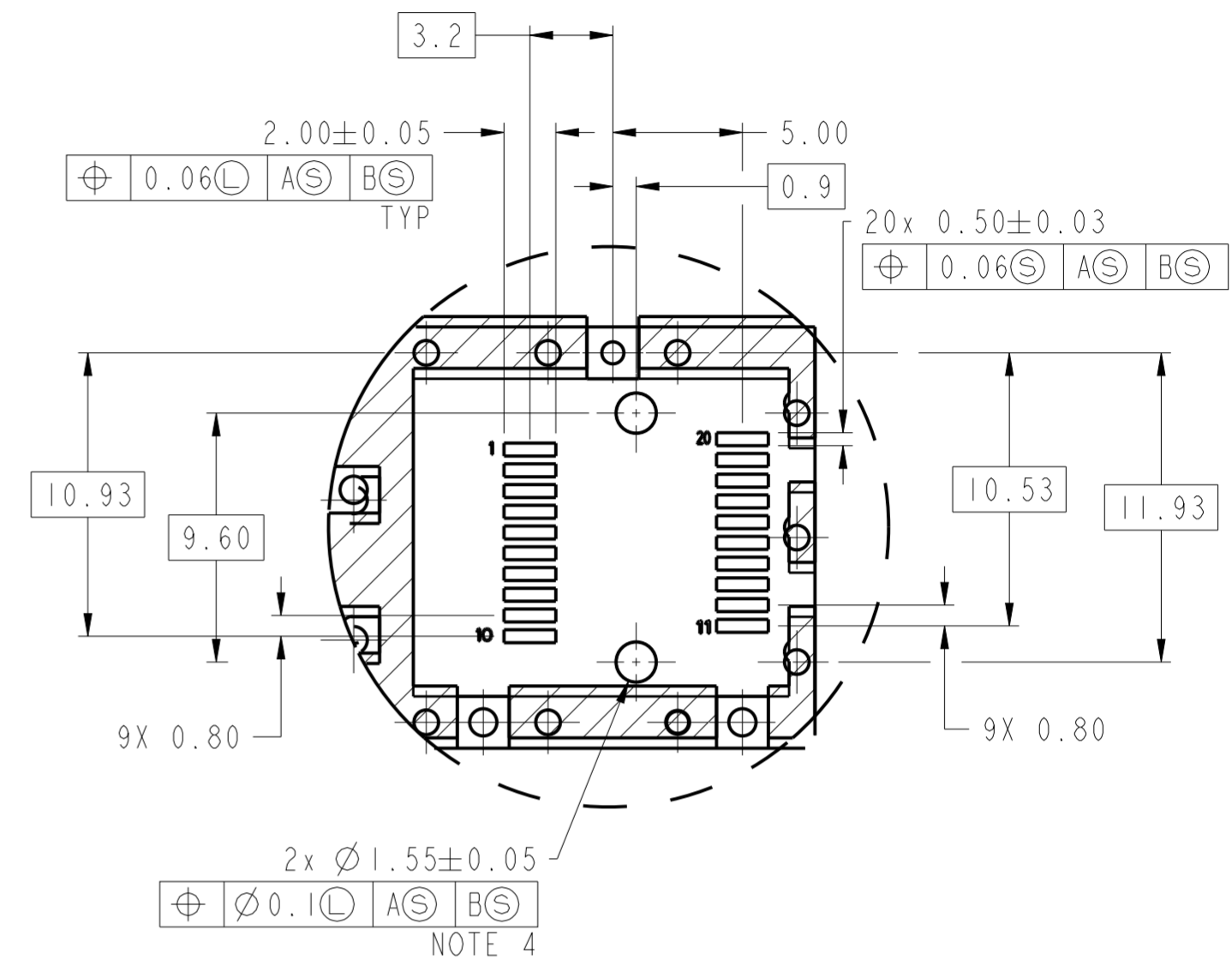
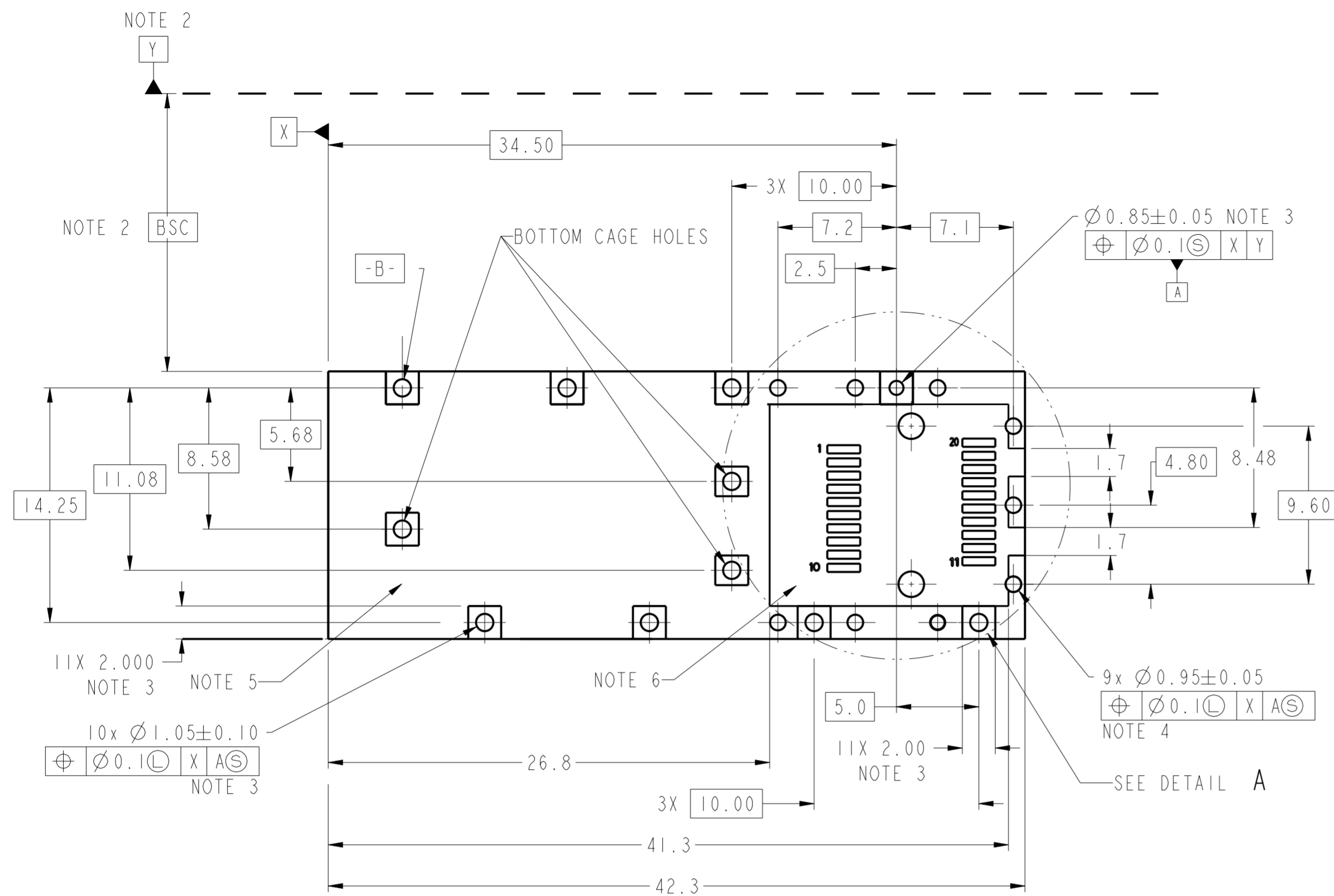
© 2016 AFci

spec ref	RELEASE	dr	LhA	2016-02-16	projection	MM	size	A2	scale	4:1
tolerance std	ASME Y14.5	eng	LhA	2016-02-16		SFP+	ecn no	ND-0079		
TOLERANCES UNLESS OTHERWISE SPECIFIED		chr	Pei-Ming.Zhang	2016-02-16			rel level	Released		
surface	linear	0.X	±0.25	Amphenol FCi	SFP+ IXI Cage EMI SPRING TYPE		dwg no 10122382	rev D	Product - Customer Drw	
		0.XX	±0.15						sheet 3 of 6	
ISO 1302	angular	0°	±2°							

PDS: Rev :D

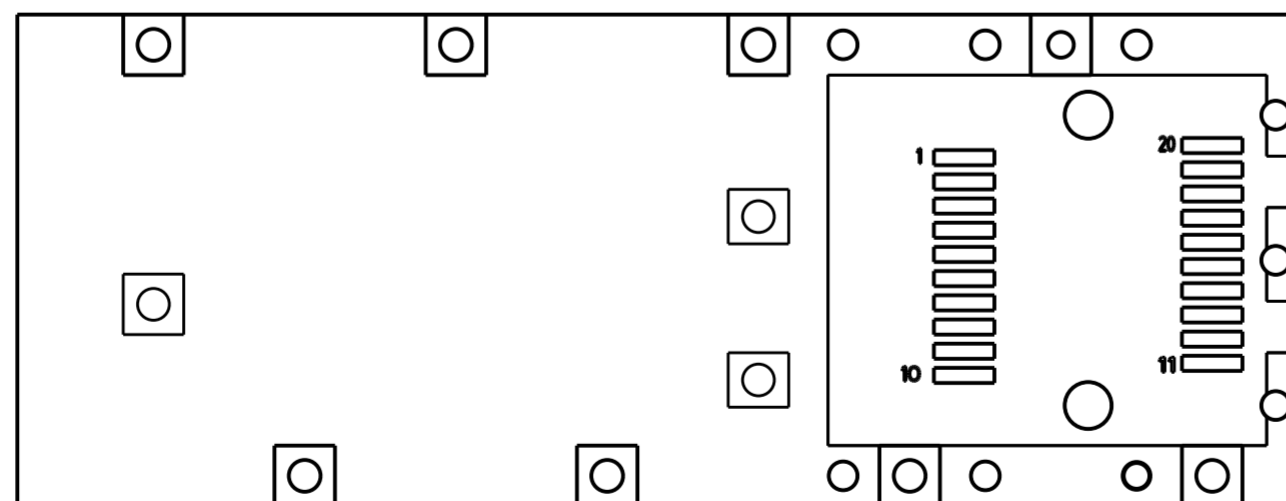
STATUS:Released

Printed: Aug 18, 2016



10122382-101LF/102LF/302LF/502LF
HOST BOARD MECHANICAL LAYOUT
SINGLE SIDED APPLICATIONS

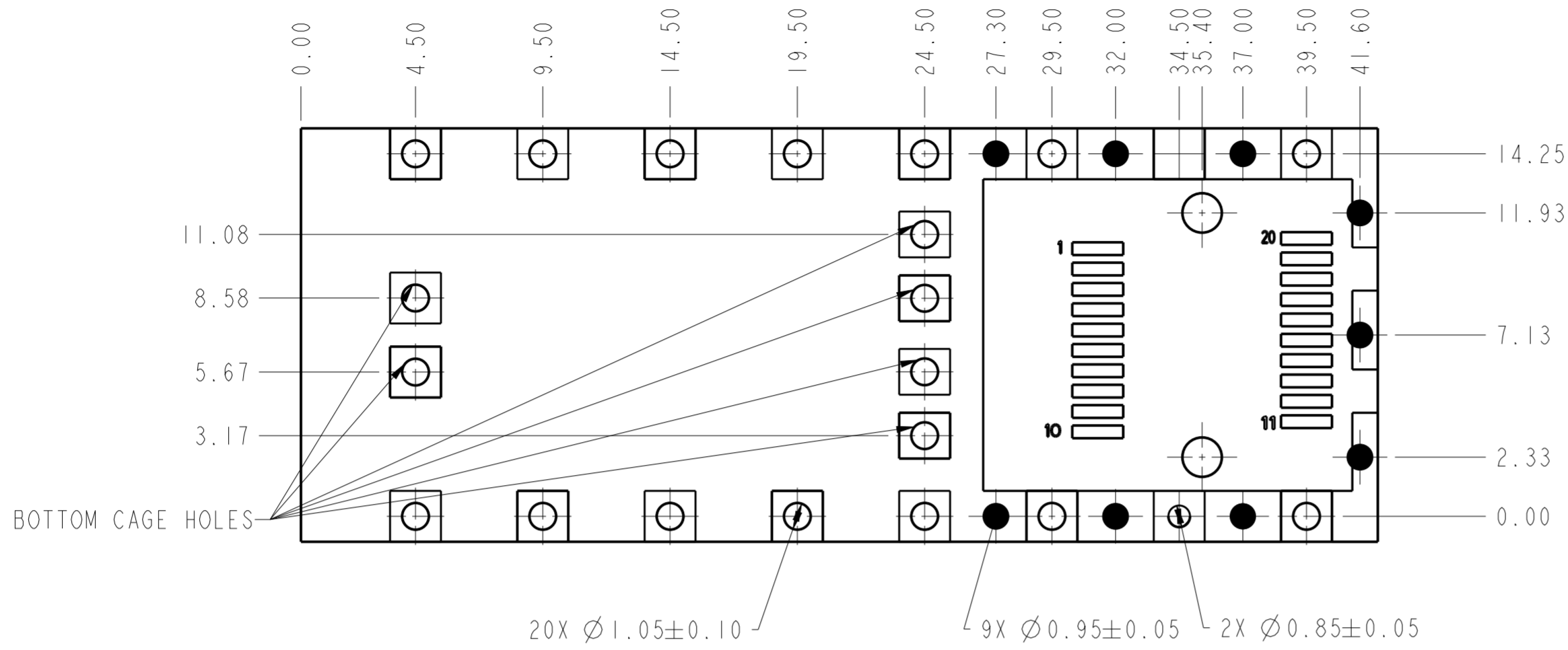
DETAIL A: HOST CONNECTOR LAYOUT
SCALE 4:1



10122382-202LF
HOST BOARD MECHANICAL LAYOUT
SINGLE SIDED APPLICATIONS
(ONLY WITHOUT BOTTOM CAGE HOLES)

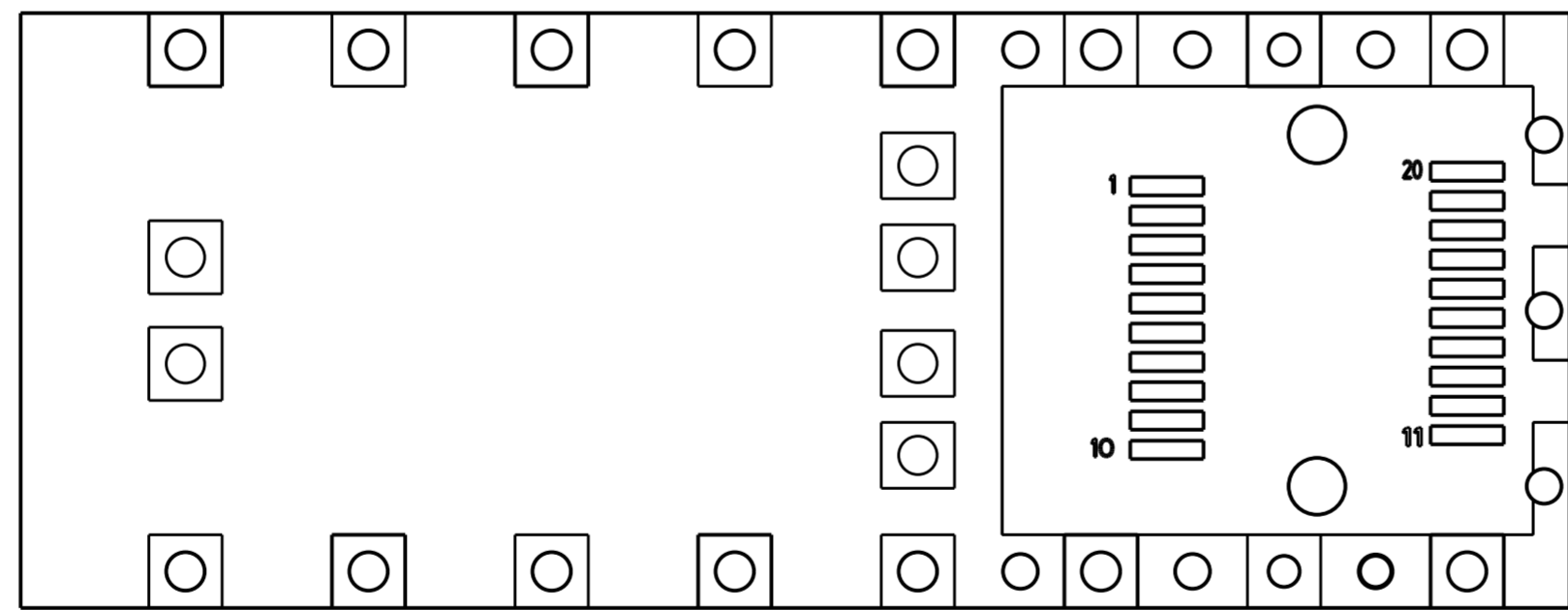
NOTE:
SEE SHEET 4 FOR
HOST CONNECTOR LAYOUT

spec ref	RELEASE	dr	LhA	2016-02-16	projection	MM	size	A2	scale	4:1
tolerance std	ASME Y14.5	eng	LhA	2016-02-16	chr		ecn no	ND-0576		
	TOLERANCES UNLESS OTHERWISE SPECIFIED	appr	Pei-Ming Zhong	2016-02-16	product family		rel level	Released		
surface	linear	Amphenol FCI			SFP+ 1X1 Cage		cat. no.	10122382	rev	D
	angular				EMI SPRING TYPE					
ISO 1302	0.X ±0.25 0.XX ±0.15 0.XXX ± 0° ±2°	Product - Customer Drw			sheet 4 of 6					



10122382-302LF
HOST BOARD MECHANICAL LAYOUT
BELLY TO BELLY APPLICATIONS

NOTE:
SEE SHEET 4 FOR
HOST CONNECTOR LAYOUT

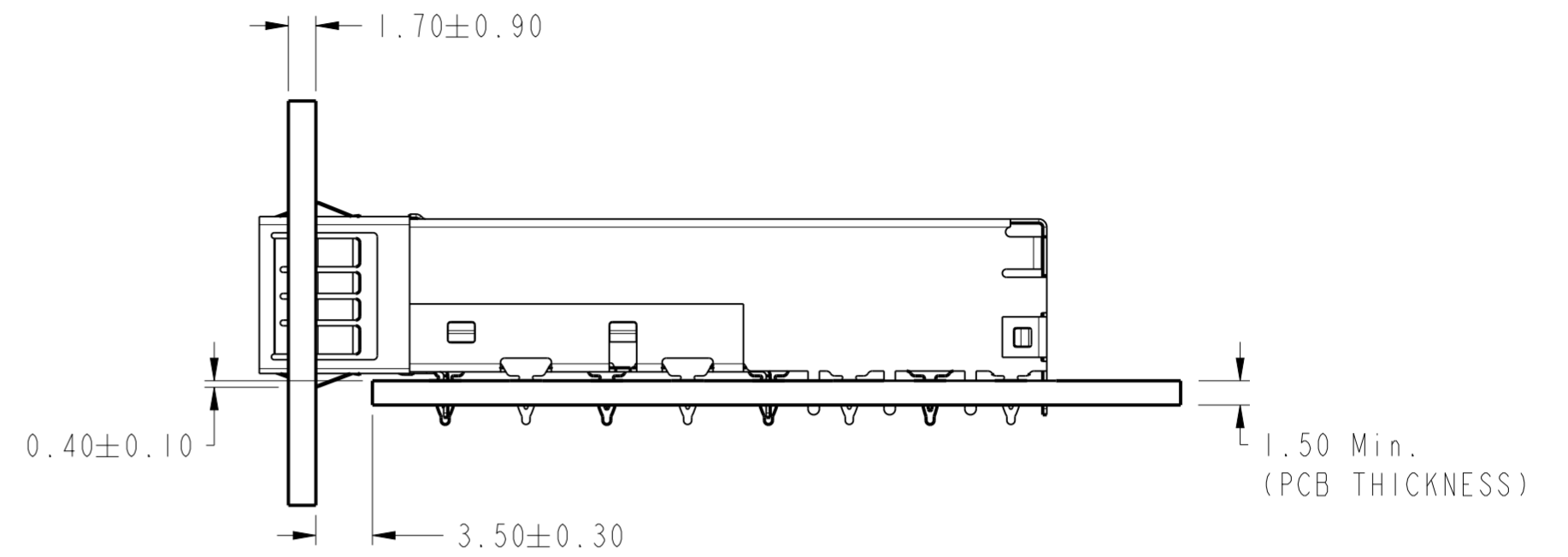
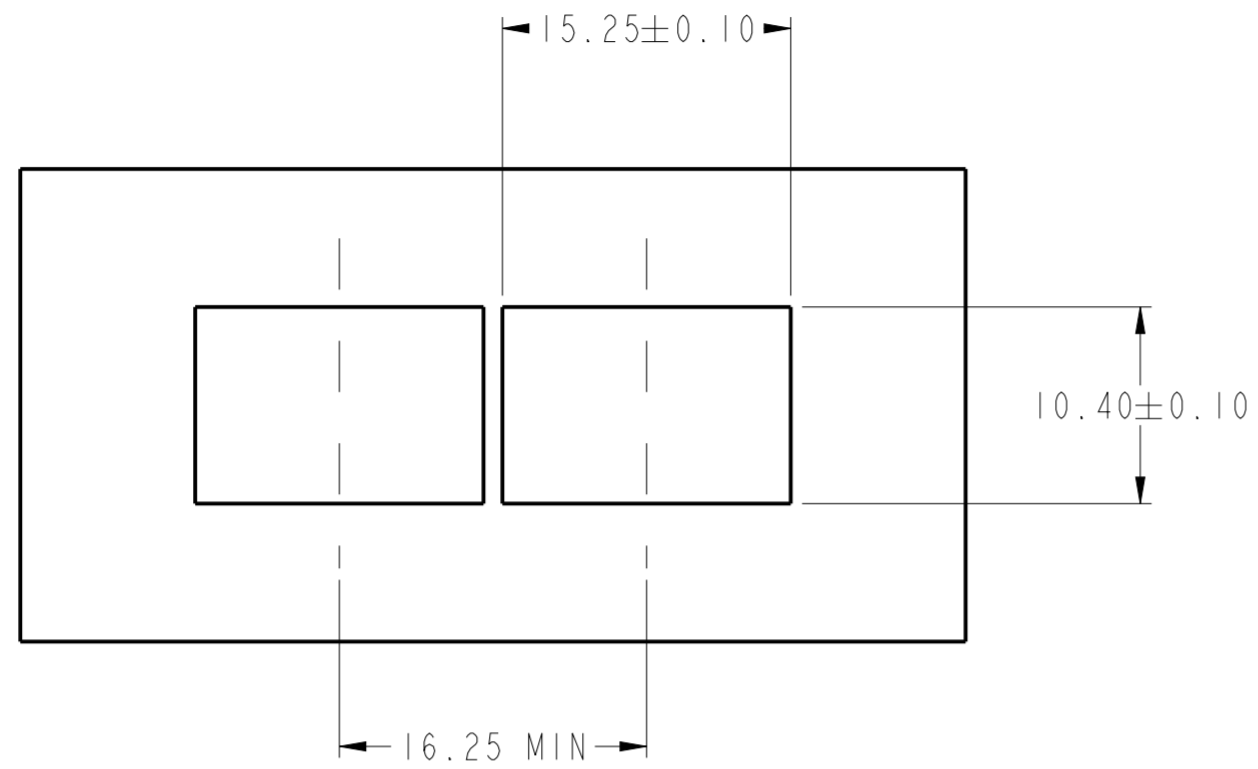


10122382-402LF
HOST BOARD MECHANICAL LAYOUT
BELLY TO BELLY APPLICATIONS
(ONLY WITHOUT BOTTOM CAGE HOLES)

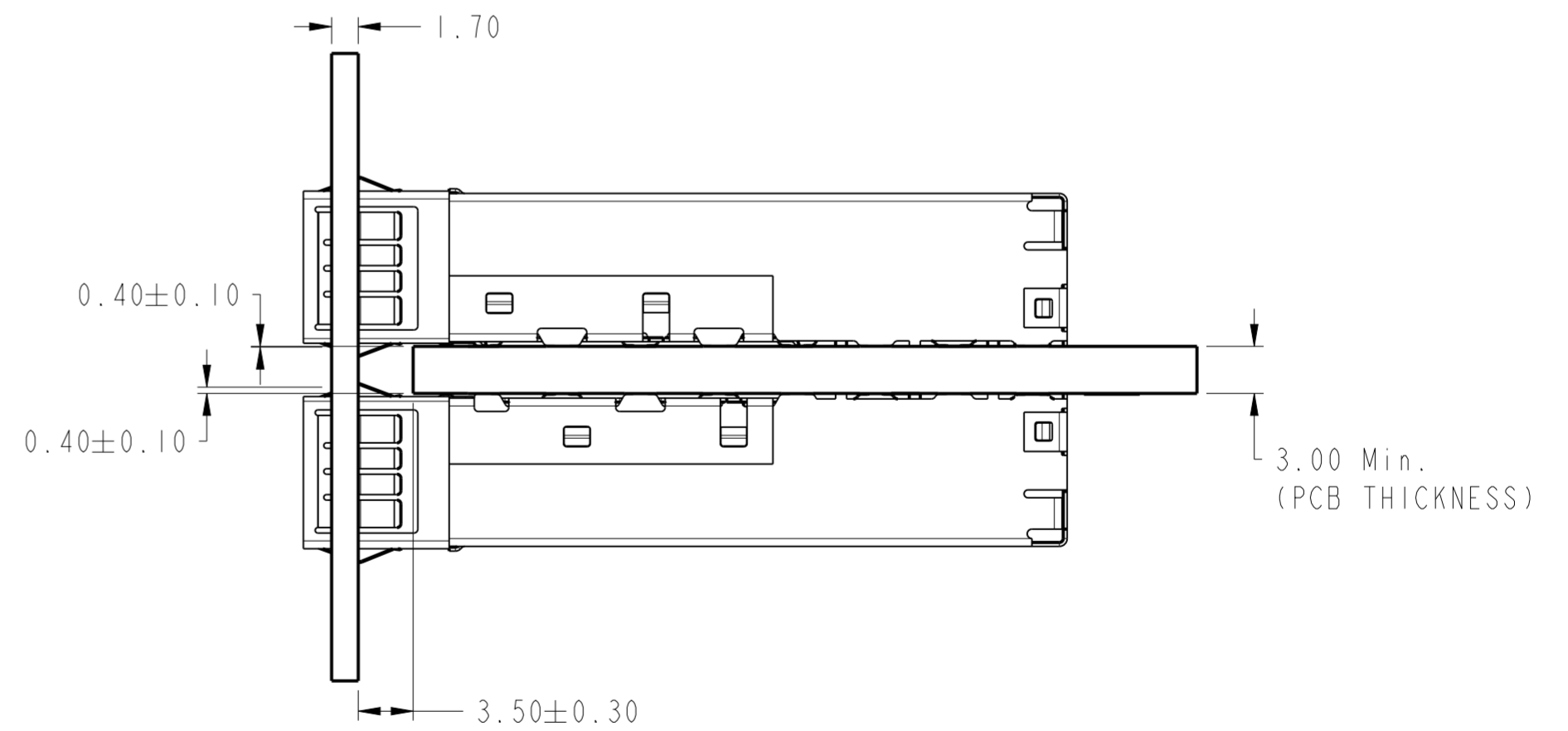
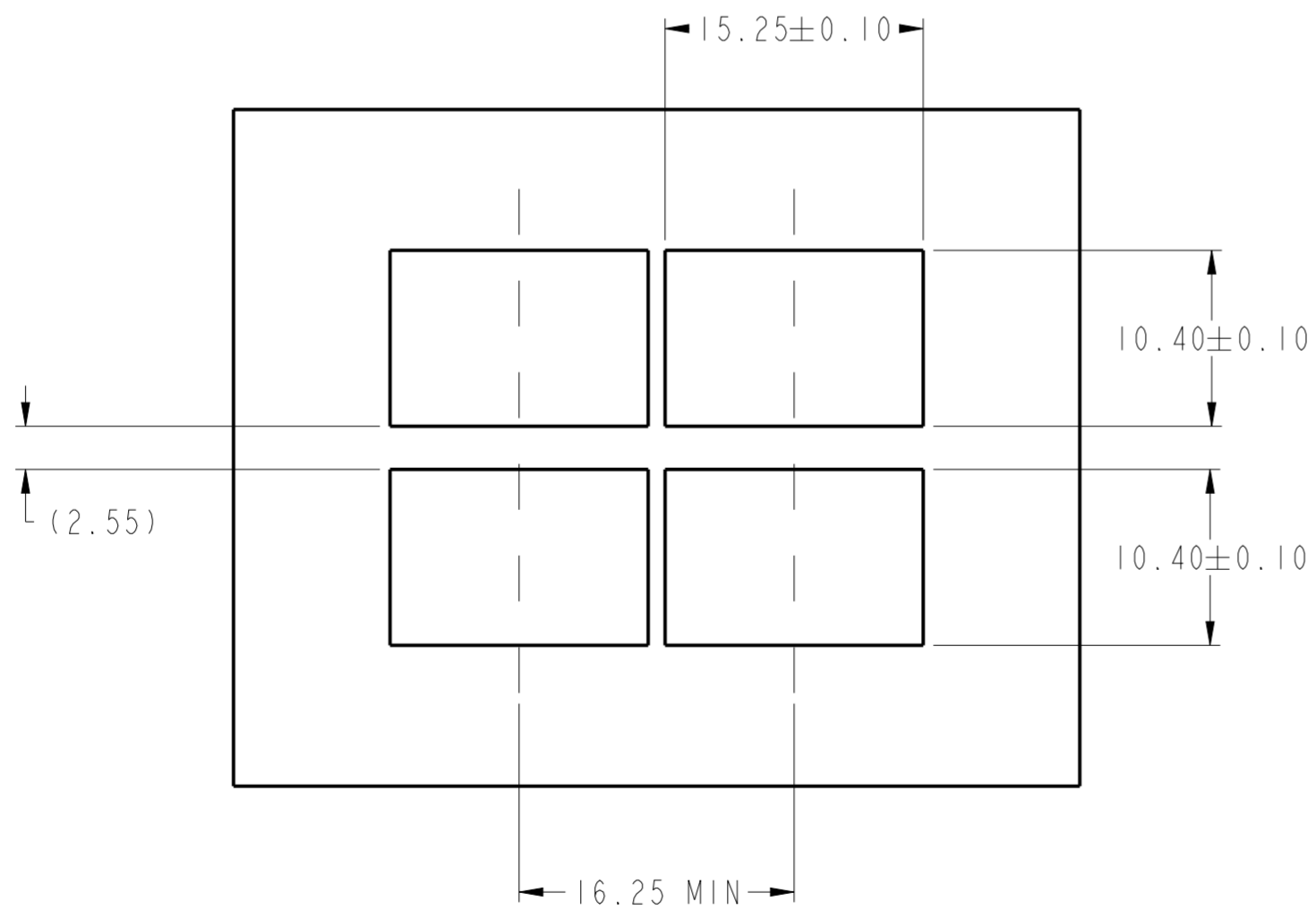
NOTE:
SEE SHEET 4 FOR
HOST CONNECTOR LAYOUT

spec ref	RELEASE	dr	LhA	2016-02-16	projection	MM	size	A2	scale	1:1
tolerance std	ASME Y14.5	eng	LhA	2016-02-16			ecn no	MD-0076		
TOLERANCES UNLESS OTHERWISE SPECIFIED		chr		2016-02-16			rel level	Released		
surface	linear	appr	Pei-Ming-Zhang	2016-02-16	product family	SFP+ IXI Cage		dwg no	10122382	
ISO 1302	angular	Amphenol FCI		EMI SPRING TYPE		rev	D		Product - Customer Drw	
									sheet 5 of 6	

BEZEL AND BOARD POSITION DIMENSIONS FOR SINGLE SIDE MOUNTING
(EMI SPRING FINGER)



10122382-302LF/402LF
BEZEL AND BOARD POSITION DIMENSIONS FOR BELLY TO BELLY MOUNTING
(EMI SPRING FINGER)



spec ref	RELEASE	dr	LhA	2016-02-16	projection	MM	size	A2	scale	1:1
tolerance std	TOLERANCES UNLESS OTHERWISE SPECIFIED	eng	LhA	2016-02-16			ecn no	ND-0076		
ASME Y14.5		chr					rel level	Released		
surface	linear	appr	Pei-Ming.Zhang	2016-02-16	product family	SFP+	cat. no.	10122382	rev	D
ISO 1302	angular						Product - Customer Drw	sheet 6 of 6		

Amphenol FCI
© 2016 APCI