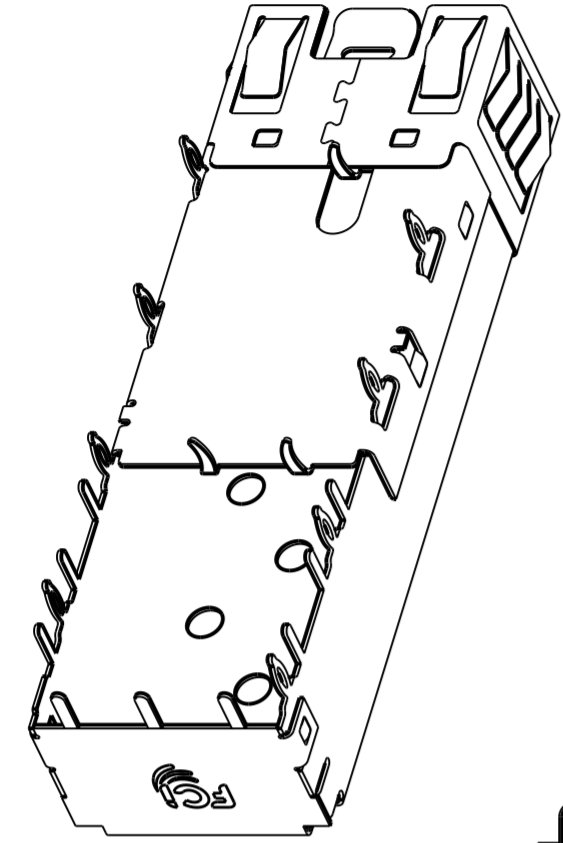
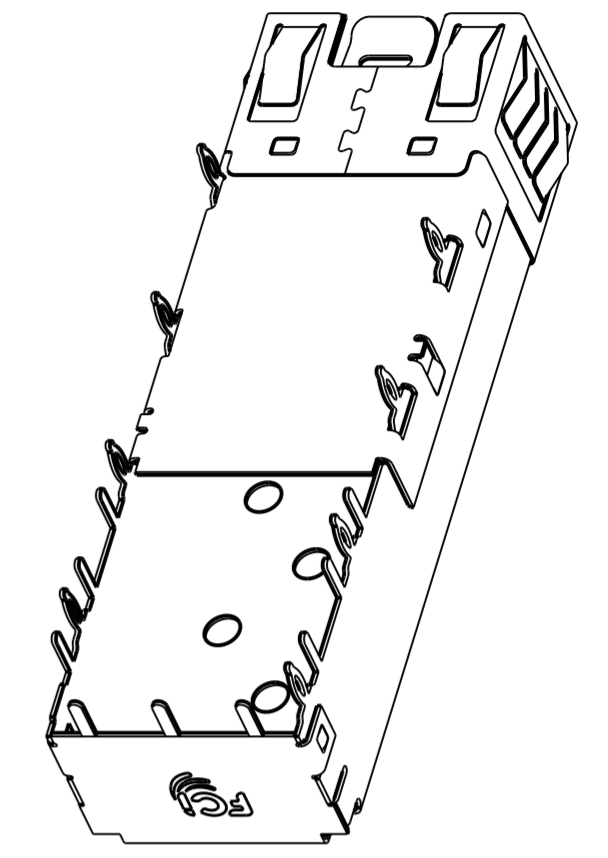
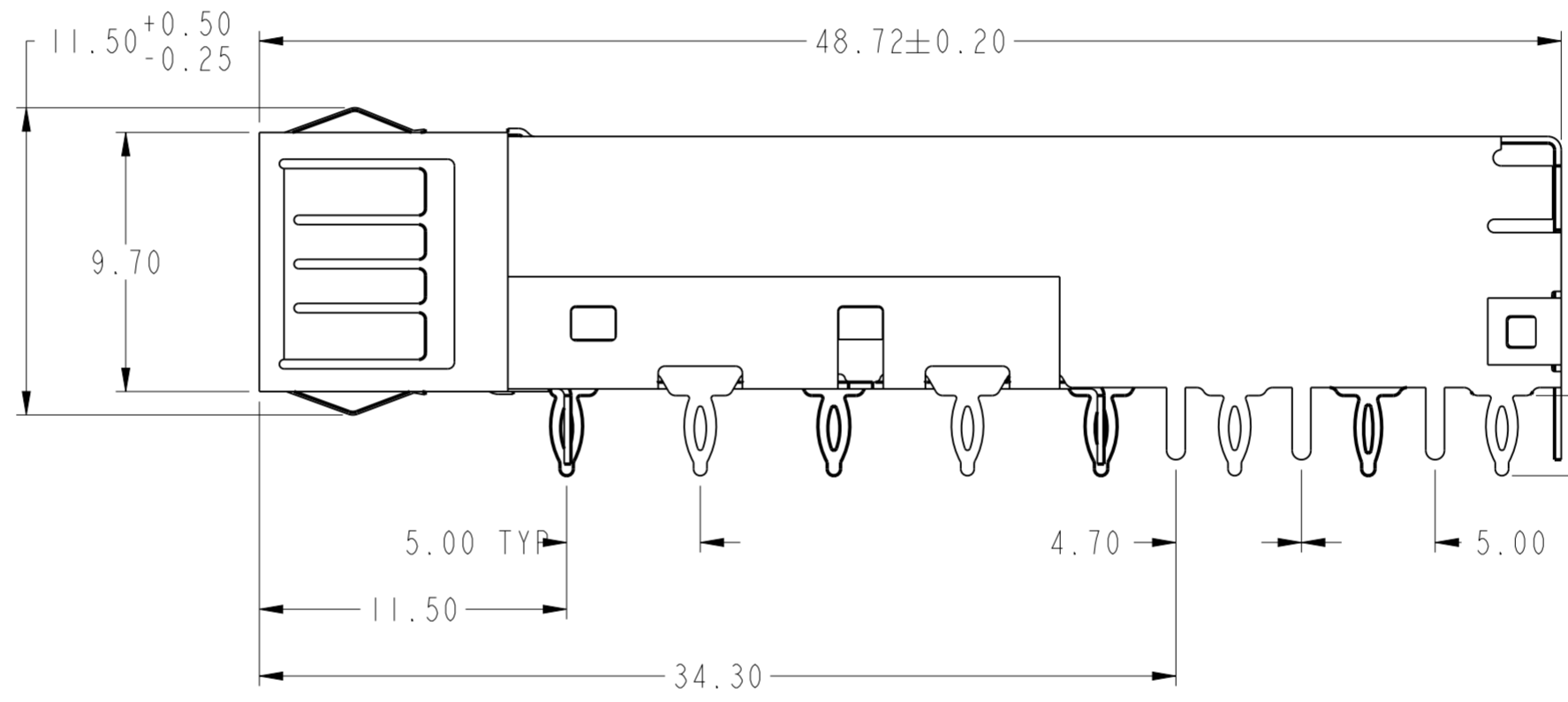
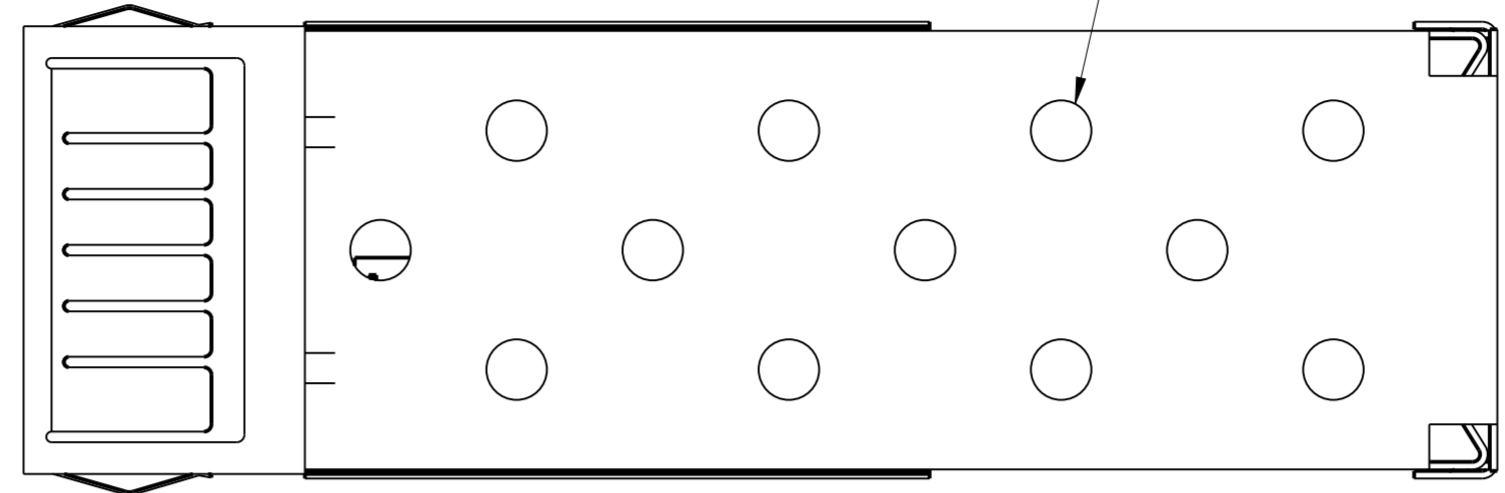
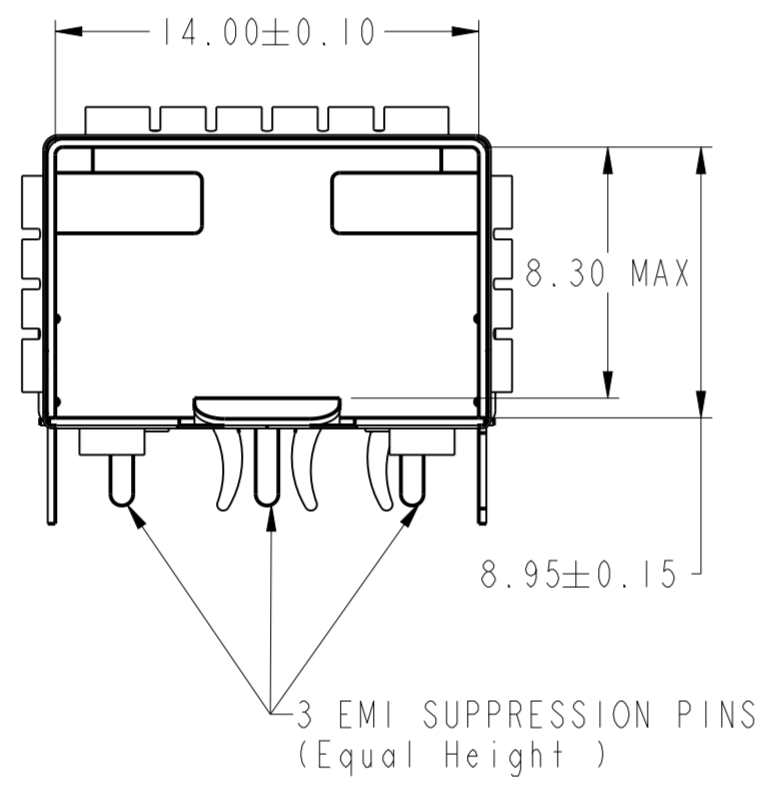


PRODUCT NUMBER	TYPE	TOP CAGE HOLE	PACKAGE
10122382-101LF	3 EMI SUPPRESSION PINS IN TOP CAGE & COMPLIANT PINS IN BOTTOM CAGE	WITHOUT HOLE	TRAY
10122382-102LF	3 EMI SUPPRESSION PINS IN TOP CAGE & COMPLIANT PINS IN BOTTOM CAGE	WITH HOLE	TRAY
10122382-202LF	3 EMI SUPPRESSION PINS IN TOP CAGE & NO COMPLIANT PINS IN BOTTOM CAGE	WITH HOLE	TRAY
10122382-112LF	3 EMI SUPPRESSION PINS IN TOP CAGE & COMPLIANT PINS IN BOTTOM CAGE	WITH HOLE	Tape&Reel

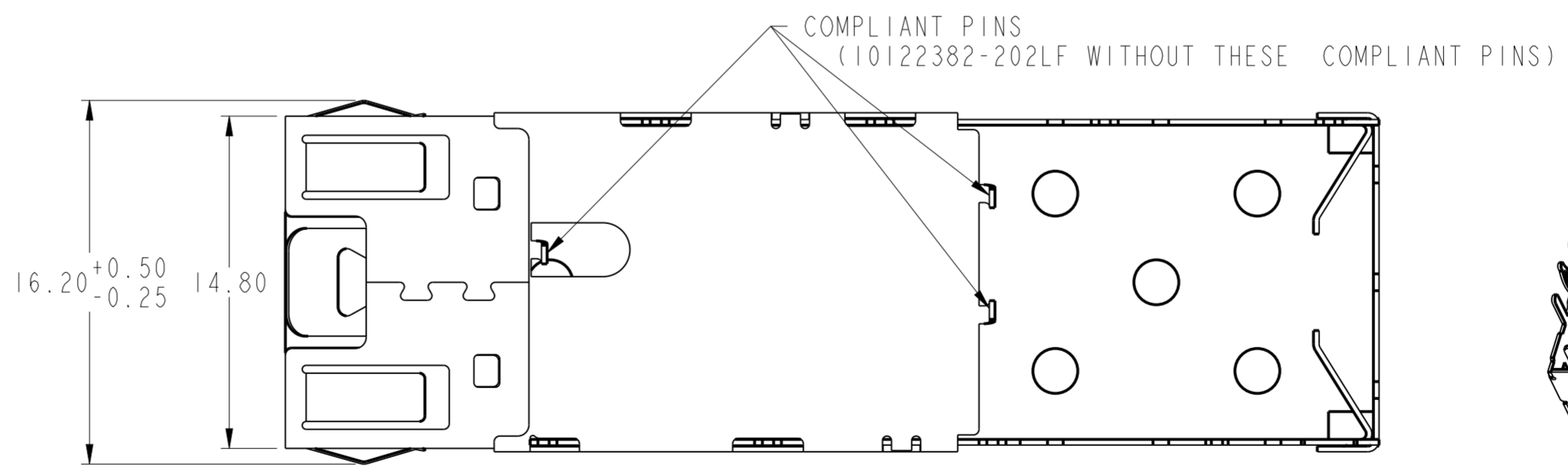
12x TOP CAGE HOLES  
SEE TABLE  
(10122382-101LF WITHOUT HOLES)



10122382-102LF  
SFP+ IXI CAGE BASIC TYPE



10122382-202LF  
(NO COMPLIANT PINS IN BOTTOM CAGE)



10122382-102LF  
3 EMI SUPPRESSION PINS IN TOP CAGE & COMPLIANT PINS IN BOTTOM CAGE

10122382-101LF  
(NO TOP CAGE HOLES FOR BETTER EMI PERFORMANCE)

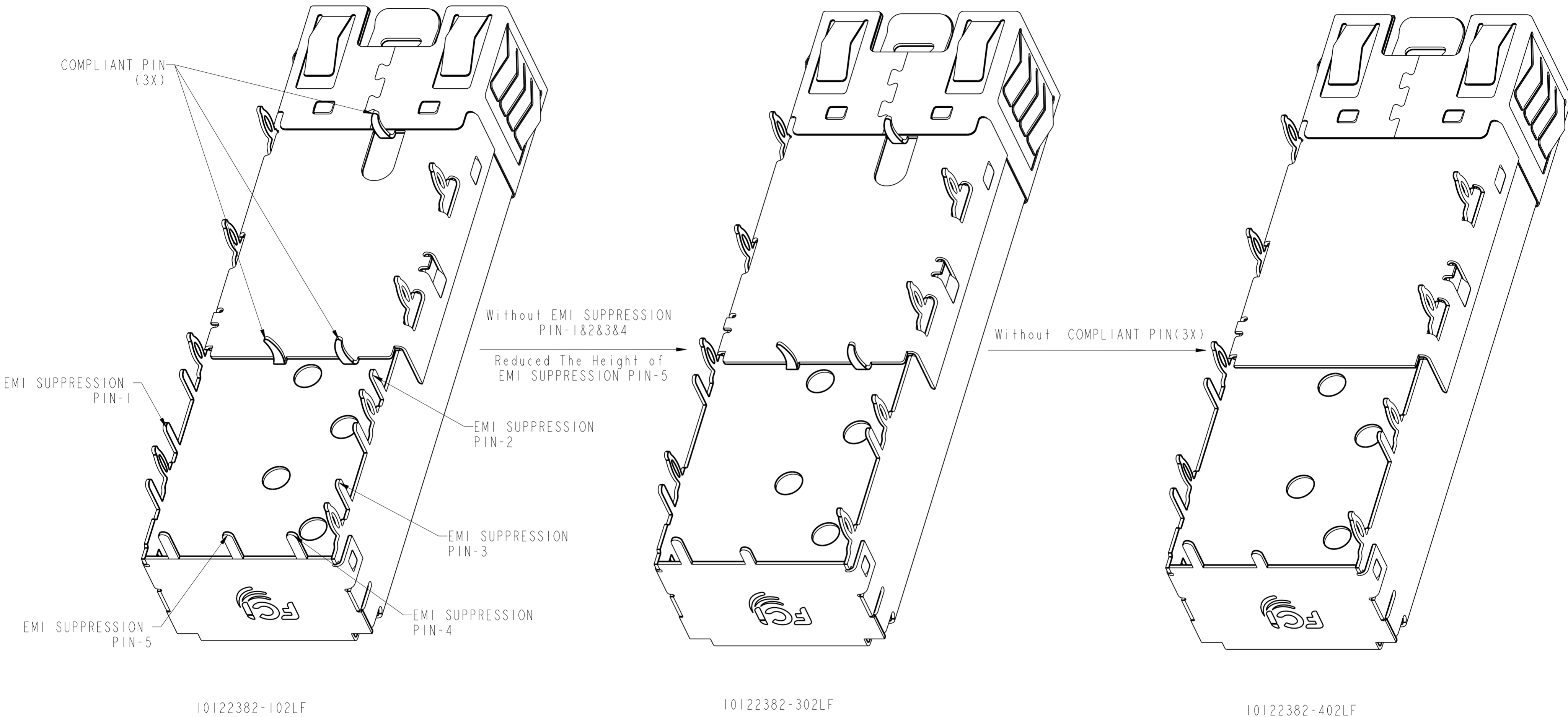
- NOTES:
- MATERIAL:  
CAGE BODY: NICKEL SILVER ALLOY  
EMI SPRING: STAINLESS STEEL  
INSULATION TAPE: SILICON POLYIMIDE
  - DATUM AND BASIC DIMENSIONS ARE ESTABLISHED BY CUSTOMER.
  - PADS AND VIAS ARE CHASSIS GROUND, 11 PLACES.
  - THROUGH HOLES, PLATING OPTIONAL.
  - CROSS-HATCHED AREA DENOTES COMPONENT AND TRACE KEEP-OUT (EXCEPT CHASSIS GROUND).
  - THIS AREA DENOTES COMPONENT KEEP-OUT (TRACES ALLOWED).
  - PRODUCT SPECIFICATION: GS-12-1165
  - APPLICATION SPECIFICATION: GS-20-0384
  - PACKAGE PER GS-14-2344 AND GS-14-920
  - PRODUCT MEETS EUROPEAN UNION DIRECTIVES AND OTHER COUNTRY REGULATIONS AS DESCRIBED IN GS-22-008.

spec ref	RELEASE	dr	LhA	2016-02-16	projection	MM	size	A2	scale	4:1
tolerance std	TOLERANCES UNLESS OTHERWISE SPECIFIED	eng	LhA	2016-02-16			ecn no	MD-0576	rel level Released	rev D
ASME Y14.5		chr		2016-02-16			product family	SFP+		
surface	linear	0.X	±0.25	<b>Amphenol FCI</b>	title SFP+ IXI Cage		cat. no. 10122382	Product - Customer Draw		
		0.XX	±0.15		title EMI SPRING TYPE					
		0.XXX	±							
ISO 1302	angular	0°	±2°	PDS: Rev :D		STATUS: Released		Printed: Aug 18, 2016		

Amphenol FCI

© 2016 APCI

PRODUCT NUMBER	TYPE	TOP CAGE HOLE	PACKAGE
10122382-302LF	2 EMI SUPPRESSION PINS IN TOP CAGE & COMPLIANT PINS IN BOTTOM CAGE	WITH HOLE	TRAY
10122382-402LF	2 EMI SUPPRESSION PINS IN TOP CAGE & NO COMPLIANT PINS IN BOTTOM CAGE	WITH HOLE	TRAY



10122382-302LF/402LF WILL ALLOW FOR BELLY TO BELLY MOUNTING.

Amphenol FCI

© 2016 APCI

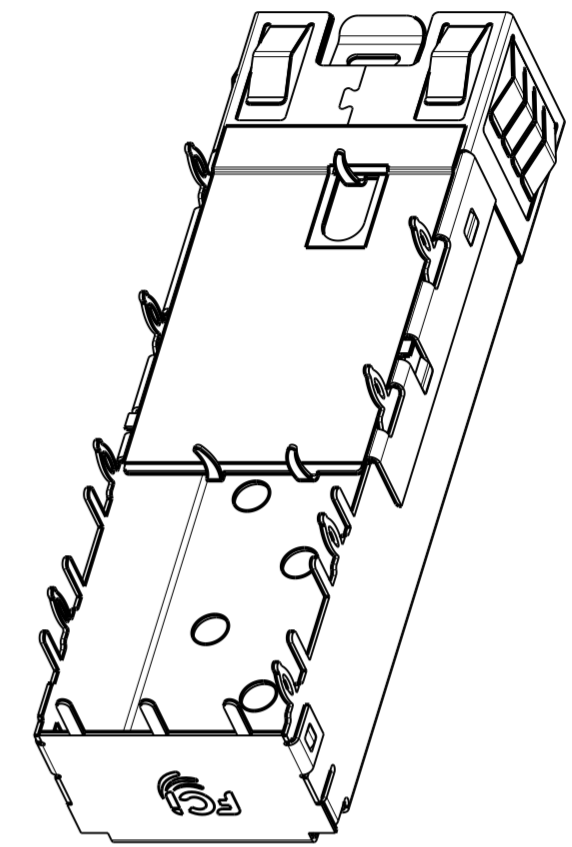
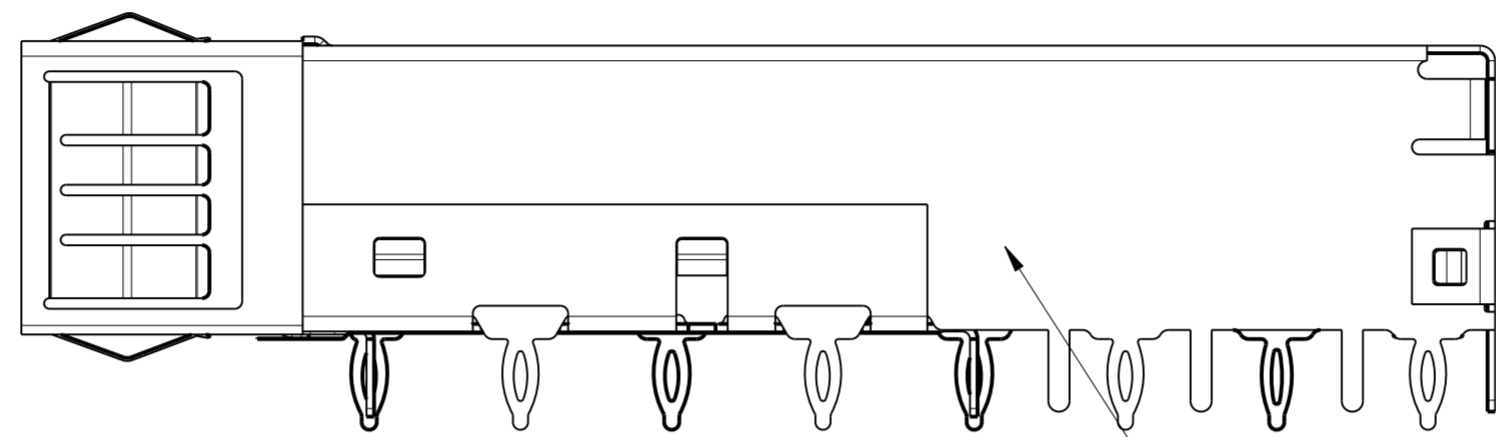
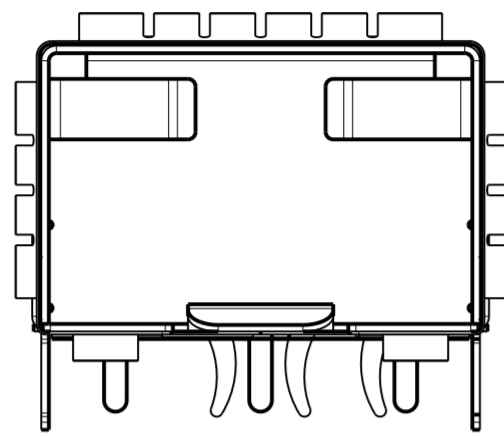
spec ref	RELEASE	dr	LhA	2016-02-16	projection	MM	size	A2	scale	5:1
tolerance std	ASME Y14.5	eng	LhA	2016-02-16	chr		ecn no		rel level	Released
TOLERANCES UNLESS OTHERWISE SPECIFIED		appr	Pei-Ming.Zhang	2016-02-16	product family	SFP+	rel level			
surface	linear	0.X	±0.25	Amphenol FCI	TITLE	SFP+ IXI Cage	dwg no	10122382	rev	D
		0.XX	±0.15							
		0.XXX	±							
ISO 1302	angular	0°	±2°	cat. no.		Product - Customer Drw	sheet 2 of 6			

PDS: Rev :D

STATUS:Released

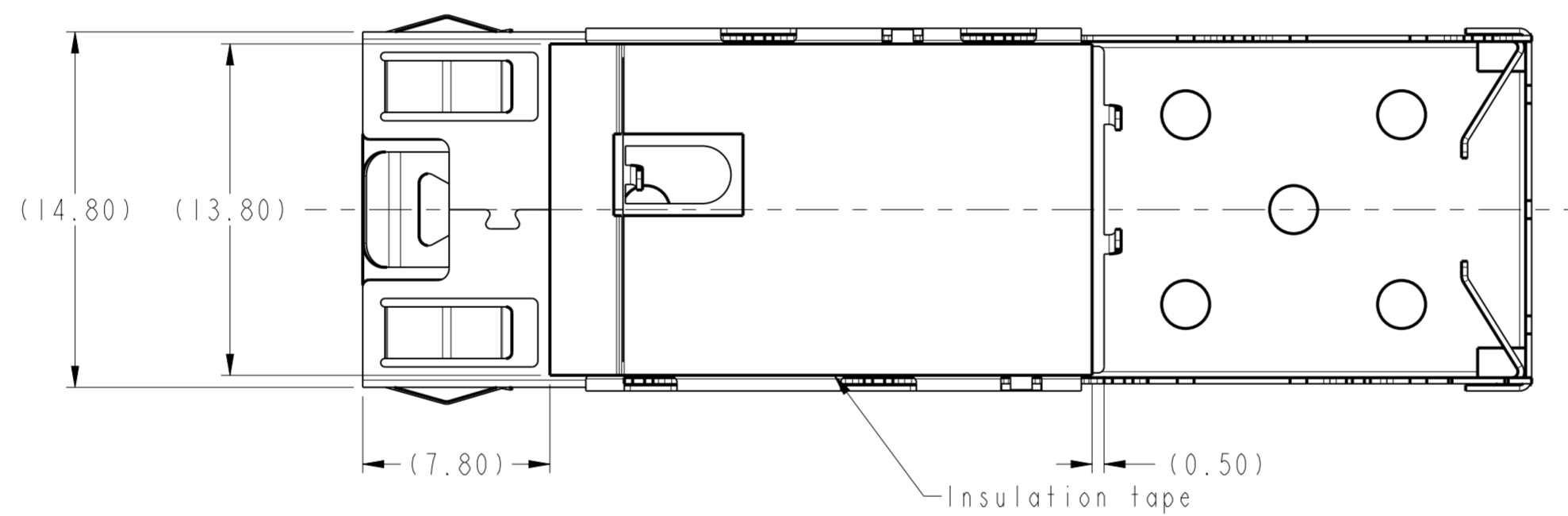
Printed: Aug 18, 2016

PRODUCT NUMBER	TYPE	TOP CAGE HOLE	PACKAGE
10122382-502LF	CAGE WITH INSULATION TAPE	WITH HOLE	TRAY



SCALE 5:2

10122382-502LF  
(A MYLAR ON THE BOTTOM FOR INSULATION PROTECTION)



Amphenol  
FCi

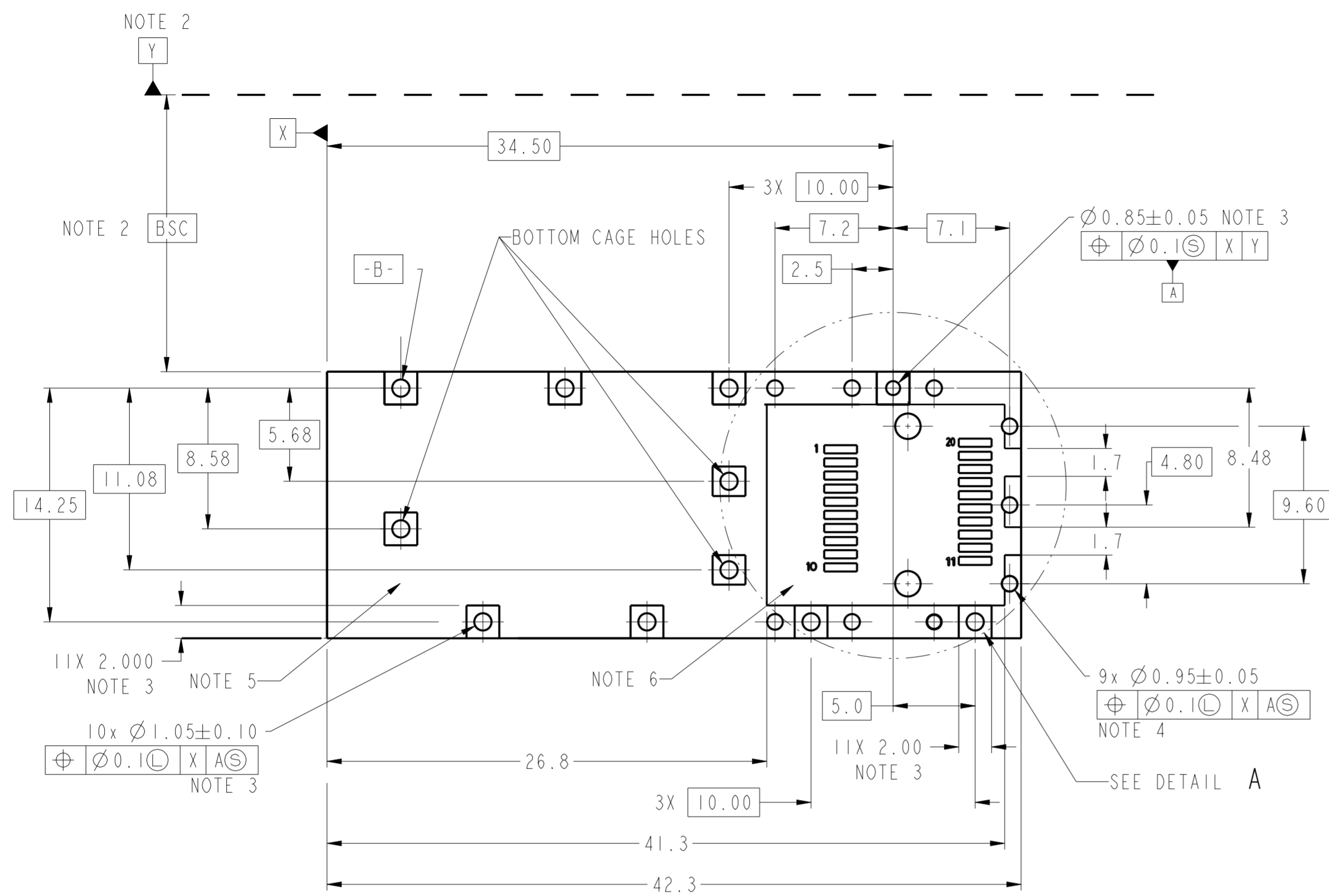
© 2016 AFci

spec ref	RELEASE	dr	LhA	2016-02-16	projection	MM	size	A2	scale	4:1
tolerance std	ASME Y14.5	eng	LhA	2016-02-16			ecn no	ND-0079		
TOLERANCES UNLESS OTHERWISE SPECIFIED		chr					rel level	Released		
surface	linear	appr	Pei-Ming.Zhang	2016-02-16	product family	SFP+	cat. no.	10122382	rev	D
ISO 1302	angular	Amphenol FCi		SFP+ IXI Cage EMI SPRING TYPE		Product - Customer Drw		sheet 3 of 6		

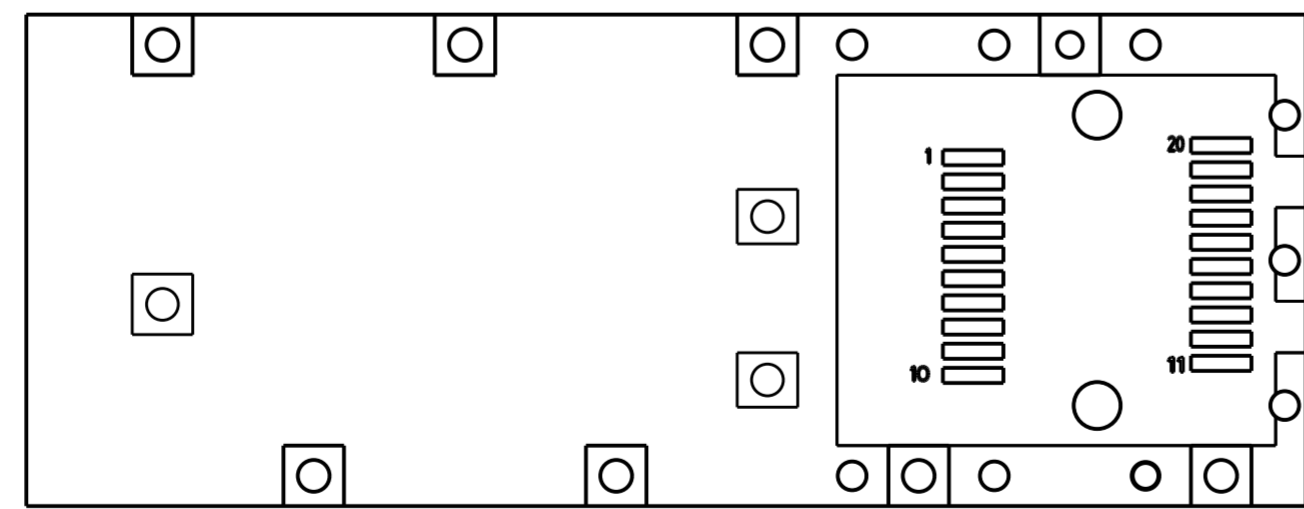
PDS: Rev :D

STATUS:Released

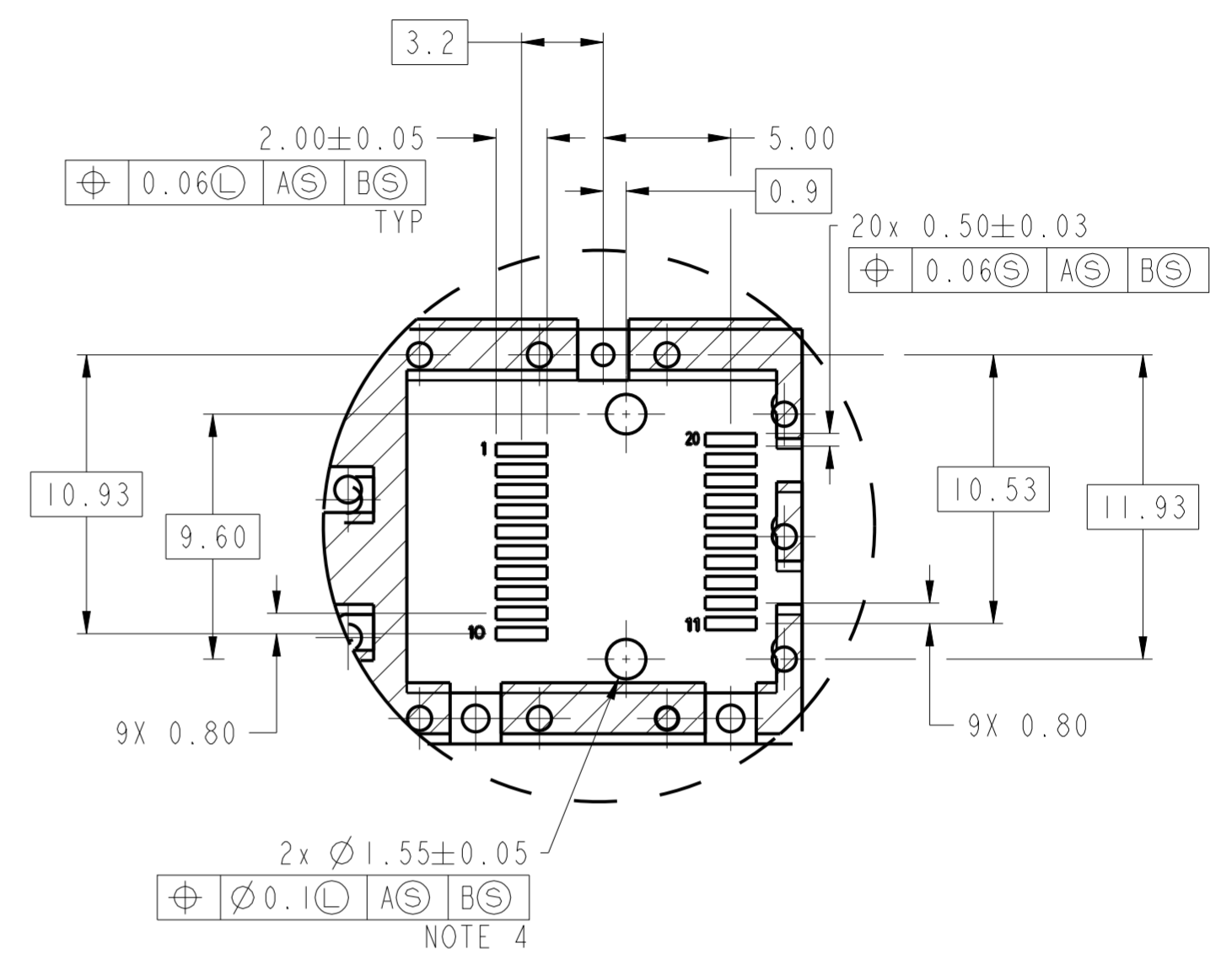
Printed: Aug 18, 2016



10122382-101LF/102LF/302LF/502LF  
 HOST BOARD MECHANICAL LAYOUT  
 SINGLE SIDED APPLICATIONS



10122382-202LF  
 HOST BOARD MECHANICAL LAYOUT  
 SINGLE SIDED APPLICATIONS  
 (ONLY WITHOUT BOTTOM CAGE HOLES)



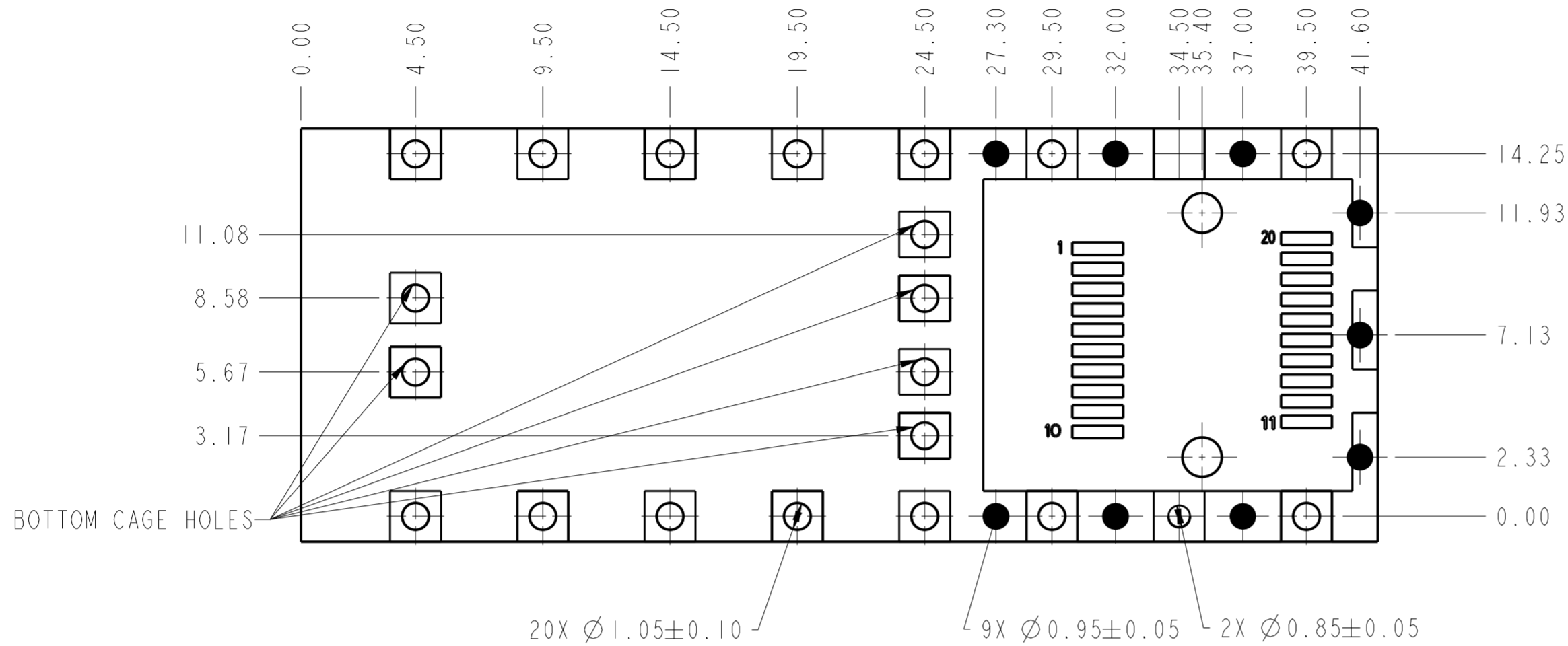
DETAIL A: HOST CONNECTOR LAYOUT  
 SCALE 4:1

NOTE:  
 SEE SHEET 4 FOR  
 HOST CONNECTOR LAYOUT

spec ref	RELEASE	dr	LhA	2016-02-16	projection	MM	size	A2	scale	4:1
tolerance std	ASME Y14.5	eng	LhA	2016-02-16	chr		ecn no		rel level	Released
surface	ISO 1302	appr	Pei-Ming-Zhang	2016-02-16	product family		rel level			
linear	0.X ±0.25 0.XX ±0.15 0.XXX ±	Amphenol FCI		SFP+ 1X1 Cage EMI SPRING TYPE		cat. no.	10122382	rev	D	
angular	0° ±2°	PDS: Rev :D		STATUS: Released		Product - Customer Draw		sheet 4 of 6		

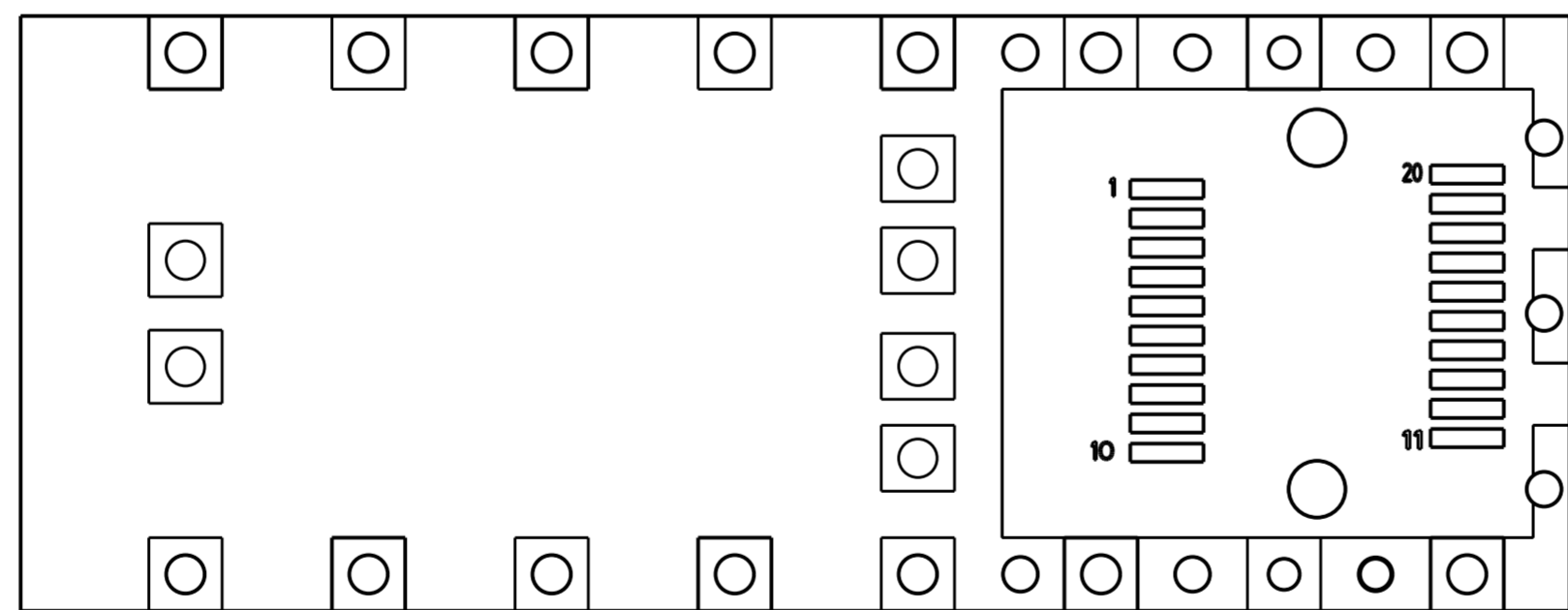
Amphenol FCI

© 2016 APCI



10122382-302LF  
HOST BOARD MECHANICAL LAYOUT  
BELLY TO BELLY APPLICATIONS

NOTE:  
SEE SHEET 4 FOR  
HOST CONNECTOR LAYOUT

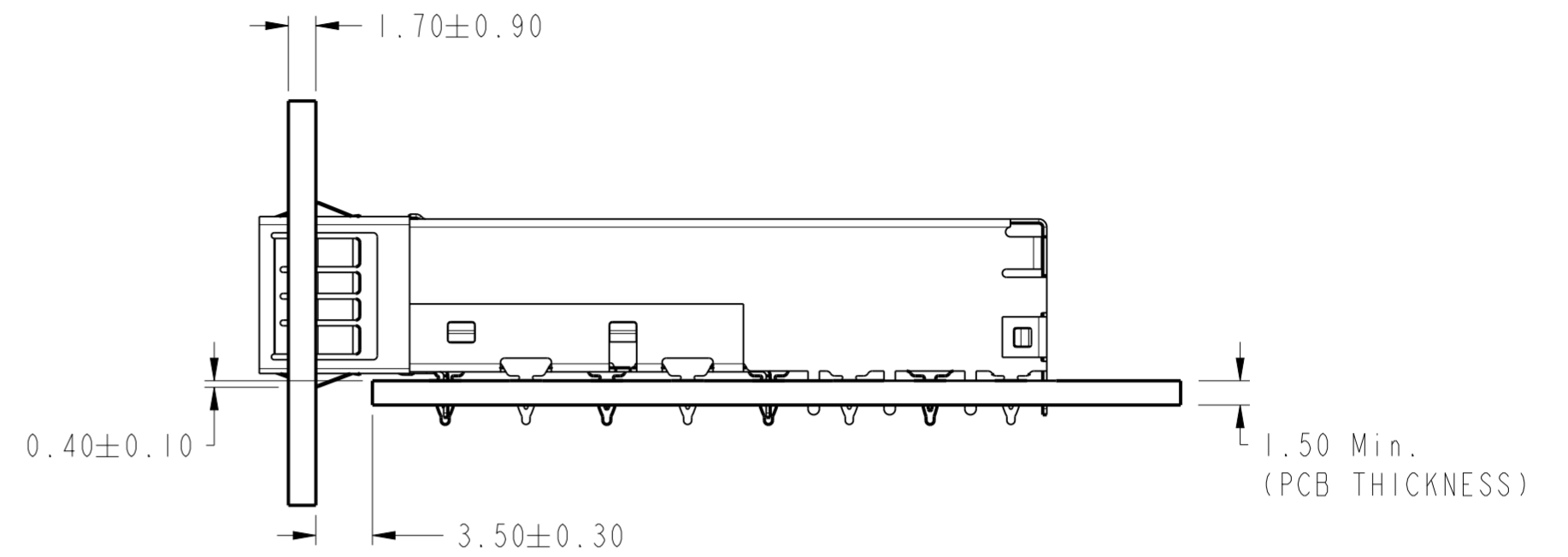
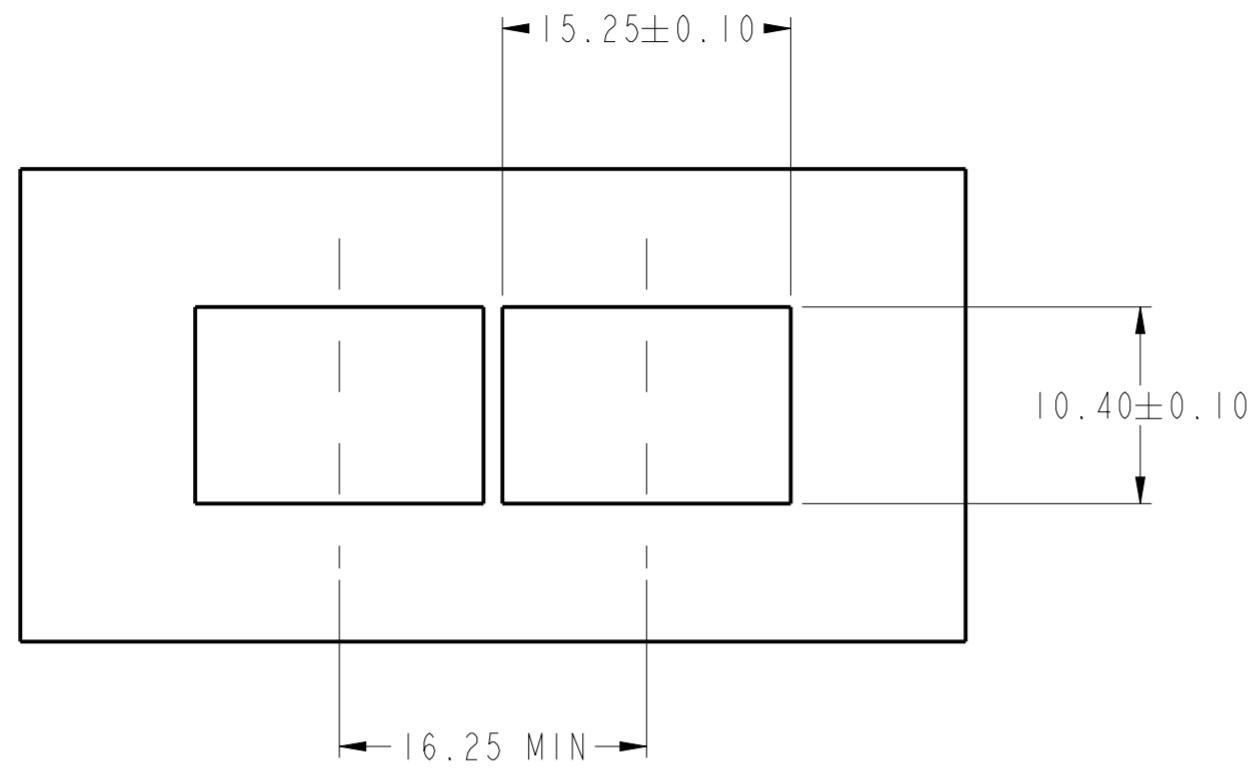


10122382-402LF  
HOST BOARD MECHANICAL LAYOUT  
BELLY TO BELLY APPLICATIONS  
(ONLY WITHOUT BOTTOM CAGE HOLES)

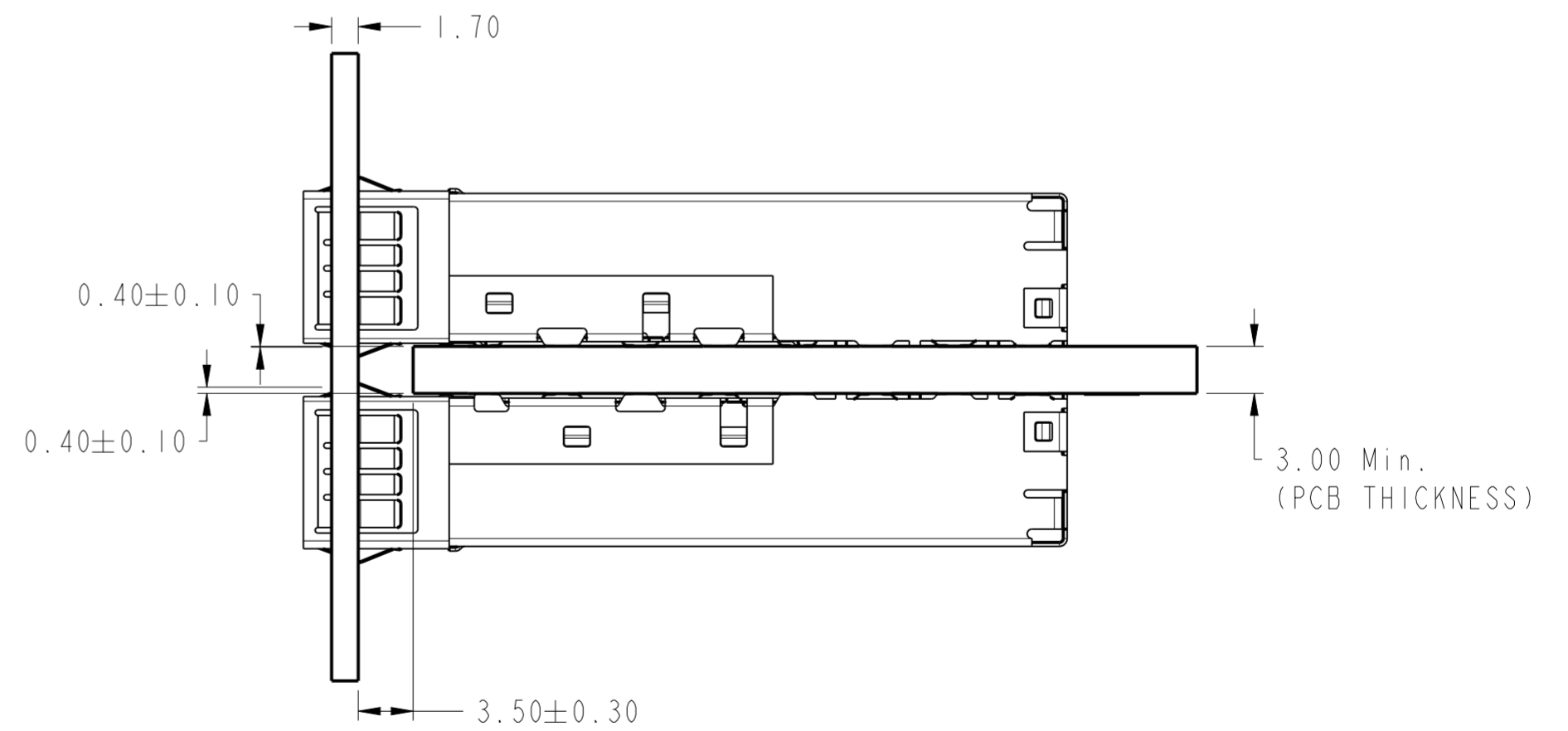
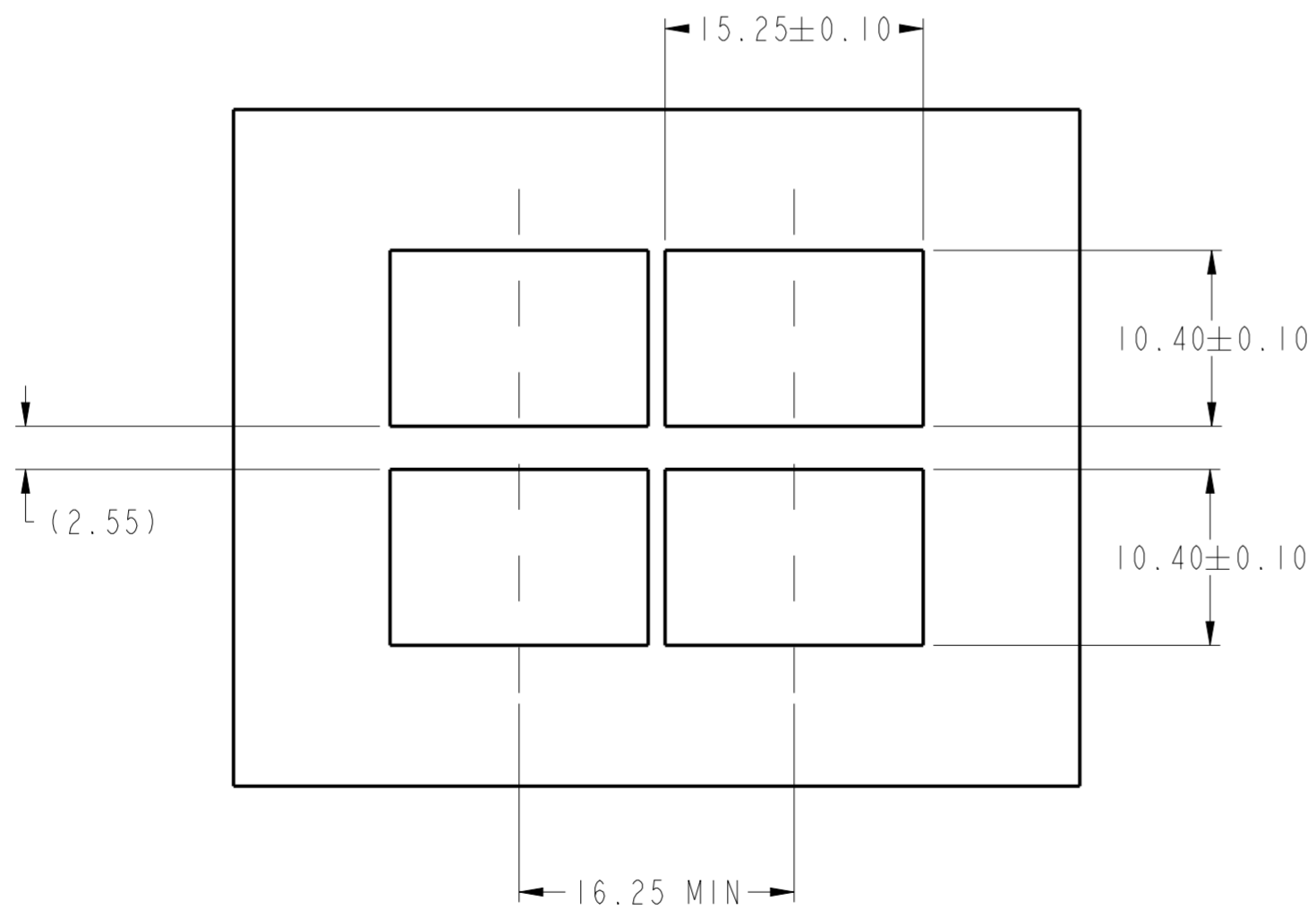
NOTE:  
SEE SHEET 4 FOR  
HOST CONNECTOR LAYOUT

spec ref	RELEASE	dr	LhA	2016-02-16	projection	MM	size	A2	scale	1:1	
tolerance std	ASME Y14.5	eng	LhA	2016-02-16			ecn no	MD-0076			
TOLERANCES UNLESS OTHERWISE SPECIFIED		chr		2016-02-16			rel level	Released			
surface	ISO 1302	appr	Pei-Ming-Zhang	2016-02-16	product family		dwg no	10122382		rev	D
linear	0.X ±0.25 0.XX ±0.15 0.XXX ±	Amphenol FCI		SFP+ IXI Cage		cat. no.		Product - Customer Drw		sheet 5 of 6	
angular	0° ±2°			EMI SPRING TYPE							

BEZEL AND BOARD POSITION DIMENSIONS FOR SINGLE SIDE MOUNTING  
(EMI SPRING FINGER)



10122382-302LF/402LF  
BEZEL AND BOARD POSITION DIMENSIONS FOR BELLY TO BELLY MOUNTING  
(EMI SPRING FINGER)



spec ref	RELEASE	dr	LhA	2016-02-16	projection	MM	size	A2	scale	1:1
tolerance std	ASME Y14.5	eng	LhA	2016-02-16	chr		ecn no	ND-0576		
	TOLERANCES UNLESS OTHERWISE SPECIFIED	appr	Pei-Ming.Zhang	2016-02-16	product family	SFP+	rel level	Released		
surface	linear	0.X	±0.25				cat. no.	10122382	rev	D
		0.XX	±0.15							
		0.XXX	±							
ISO 1302	angular	0°	±2°							