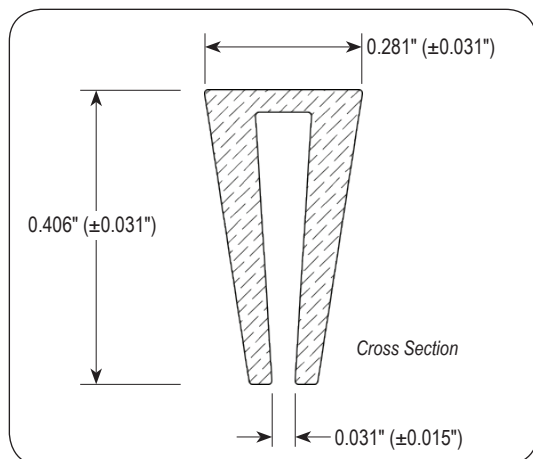


## Specifications

Material: Black, Conductive Low Density Polyethylene  
 Resistance:  $< 1 \times 10^6$  ohms  
 Corrosivity: Non-corrosive, per FTMS 101C, Method 3005  
 Temperature Stability: 32°F to 250°F (0°C to 121°C)



Item	Size	Quantity
14361	1.5"	50/Pack
14362	3.0"	50/Pack
14363	4.0"	50/Pack
14364	12"	20/Pack
14365	1,000'	Roll

### RoHS 3, REACH, and Conflict Minerals Statement

See the Desco Industries RoHS 3, REACH, and Conflict Minerals Statement:

[DescoIndustries.com/RoHS.aspx](http://DescoIndustries.com/RoHS.aspx)

See the Desco Limited Warranty:

[Desco.DescoIndustries.com/Limited-Warranty.aspx](http://Desco.DescoIndustries.com/Limited-Warranty.aspx)

See the Desco Disclaimer:

[Desco.DescoIndustries.com/Disclaimer.aspx](http://Desco.DescoIndustries.com/Disclaimer.aspx)

Specifications and procedures subject to change without notice.



Made in the  
United States of America

## PCB EDGE PROTECTOR, DISSIPATIVE, LOW TEMP

# DESCO

DESCO WEST: 3651 WALNUT AVE., CHINO, CA 91710 WEB SITE: [Desco.com](http://Desco.com)  
 PHONE (909) 627-8178

DESCO EAST: ONE COLGATE WAY, CANTON, MA 02021-1407  
 PHONE (781) 821-8370

Drawing  
Number  
14361

DATE:  
October  
2017