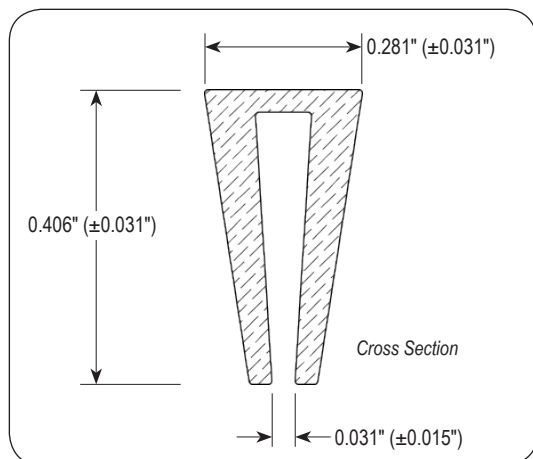


Specifications

Material: Black, Conductive Low Density Polyethylene
 Resistance: $< 1 \times 10^6$ ohms
 Corrosivity: Non-corrosive, per FTMS 101C, Method 3005
 Temperature Stability: 32°F to 250°F (0°C to 121°C)



Item	Size	Quantity
14361	1.5"	50/Pack
14362	3.0"	50/Pack
14363	4.0"	50/Pack
14364	12"	20/Pack
14365	1,000'	Roll

RoHS 3, REACH, and Conflict Minerals Statement

See the Desco Industries RoHS 3, REACH, and Conflict Minerals Statement:

DescoIndustries.com/RoHS.aspx

See the Desco Limited Warranty:

Desco.DescoIndustries.com/Limited-Warranty.aspx

See the Desco Disclaimer:

Desco.DescoIndustries.com/Disclaimer.aspx

Unless specified dimensional tolerances are +/- 10%

DESCO

Specifications and procedures subject to change without notice.



Made in the
United States of America

PCB EDGE PROTECTOR, DISSIPATIVE, LOW TEMP

DESCO WEST: 3651 WALNUT AVE., CHINO, CA 91710 WEB SITE: Desco.com
 PHONE (909) 627-8178

DESCO EAST: ONE COLGATE WAY, CANTON, MA 02021-1407
 PHONE (781) 821-8370

Drawing
Number
14361

DATE:
October
2017