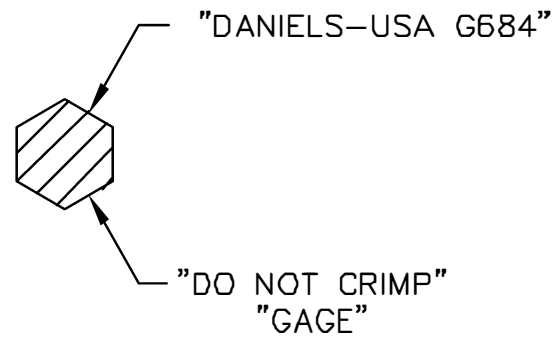
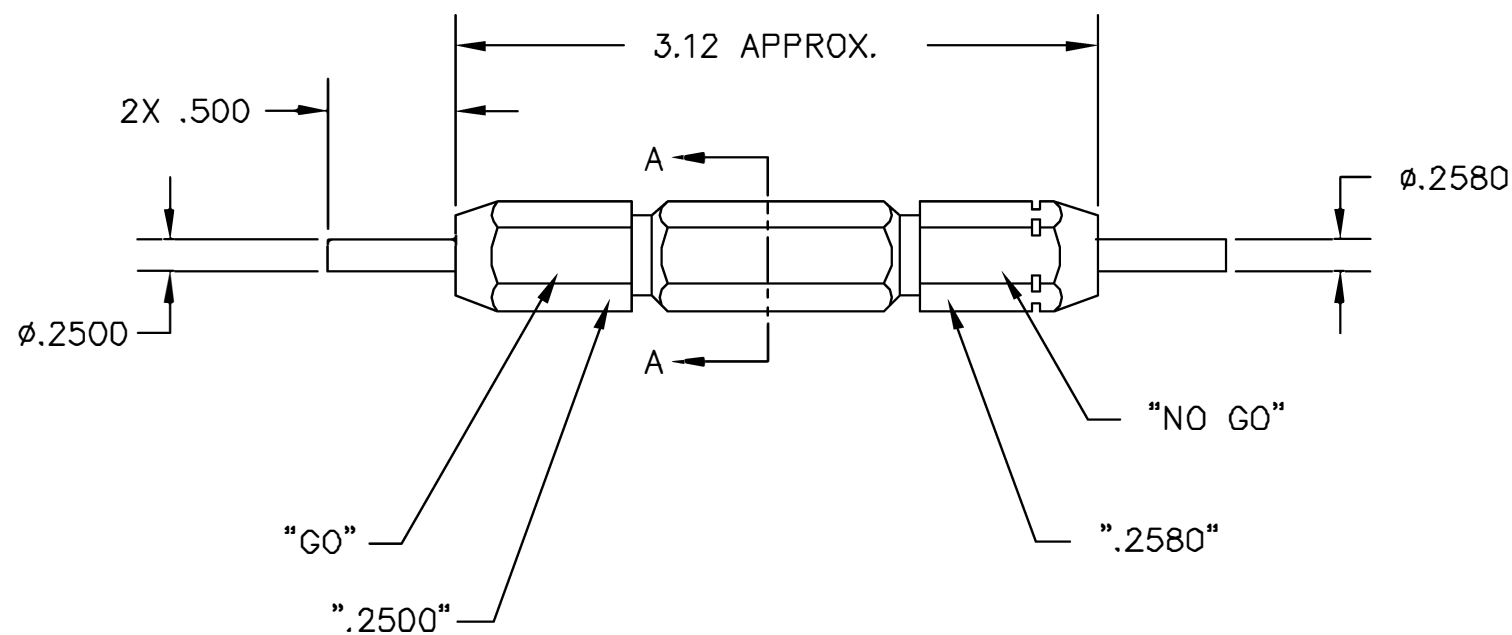


REVISIONS				
REV. SYM.	E.C.O. NUMBER	DESCRIPTION	BY DATE	APP'D DATE
1		ORIGINAL RELEASE	JWJ 11/13/00	RRR 11/13/00



SECTION A-A



**UNCONTROLLED DOCUMENT
WILL NOT BE UPDATED**

<p>RESTRICTED & CONFIDENTIAL</p> <p>CONFIDENTIAL PROPERTY OF DANIELS MANUFACTURING CORP. NOT TO BE DISCLOSED TO OTHERS, REPRODUCED OR USED FOR ANY OTHER PURPOSE, EXCEPT AS AUTHORIZED IN WRITING BY DANIELS MANUFACTURING. MUST BE RETURNED TO DANIELS MANUFACTURING CORP. ON COMPLETION OF ORDER OR OTHER PURPOSE FOR WHICH LENT.</p>	MATERIAL	ITEM	PART NO.	QTY.	DESCRIPTION/REMARKS
	HEAT TREAT	DRN. J. JOYCE			DANIELS MANUFACTURING CORP. ORLANDO, FLORIDA CAGE 11851
<p>DO NOT SCALE DRAWING</p>	FINISH	CHK'D. RRR			TITLE GO/NO-GO GAGE ENVELOPE DRAWING
		APP'D.			WHERE USED:
		APP'D.			SIZE B
					SCALE NTS
					CAD P/N G684-ENV
					SHEET 1 OF 1
					POSTING
					DWG. NO. G684-ENV
					REV. 1

NOTE:
THIS DRAWING IS AN OUTLINE DRAWING OF THE RESPECTIVE DMC PART NUMBER INDICATED. ACTUAL DMC PART NUMBER IS DRAWING NUMBER WITHOUT THE "-ENV" SUFFIX.