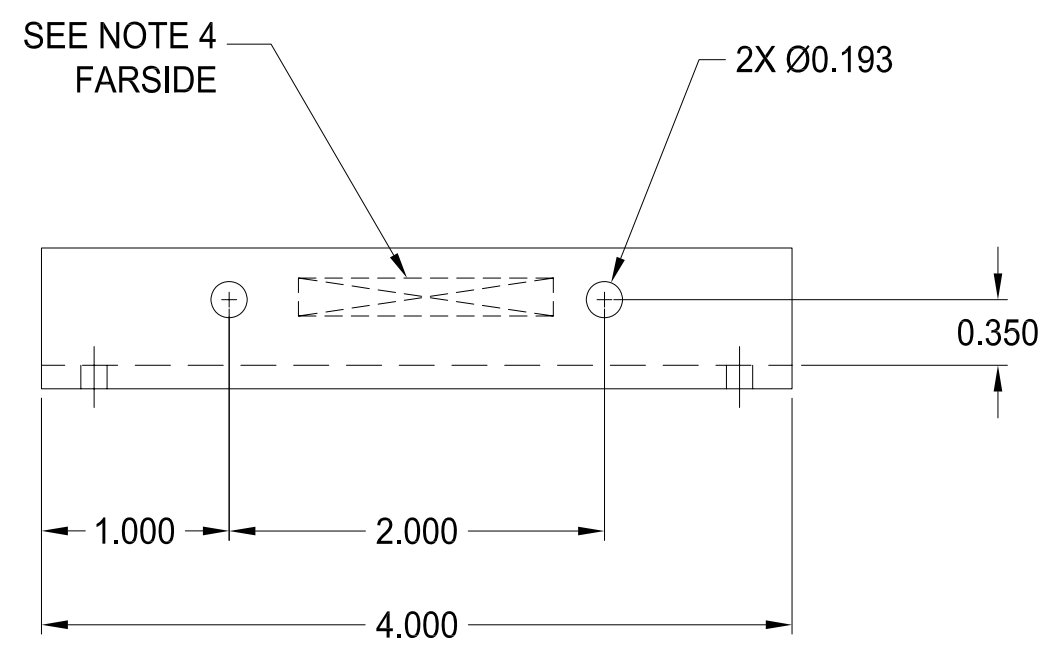
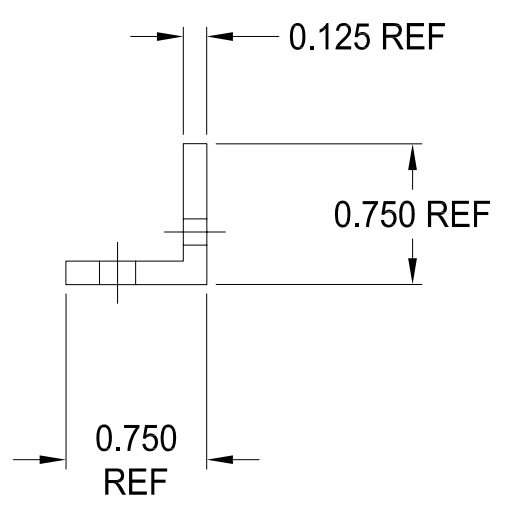
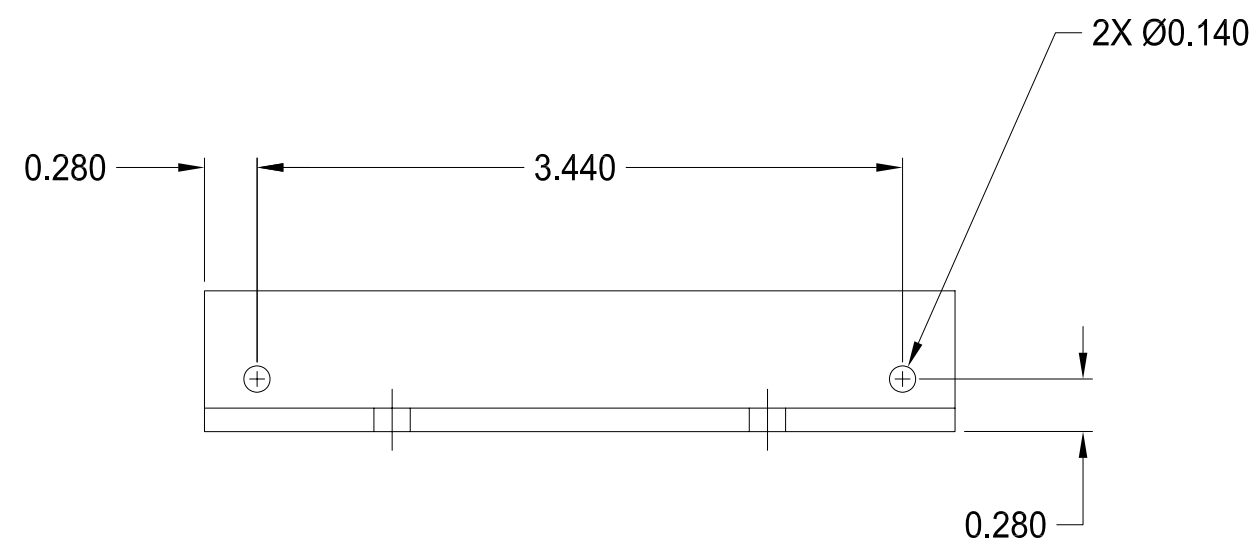


PROPRIETARY STATEMENT: ULTRAVOLT INC.
CONFIDENTIAL DRAWING

B PART NUMBER: BR-011 REV A1 SH 1

REVISIONS				
LTR	DESCRIPTION	BY	DATE	APPD
A	NEW RELEASE (SEE ECO #2664)	D.S.	8/19/02	SRO
A1	REVISED PER EC-00510-UV	JC	11/15/07	SRO



- NOTES:**
- MATERIAL: 0.062 THK. ALUMINUM ALLOY 6061 EXTRUDED SQUARE CORNERS ANGLE 0.750 x 0.750 X 0.125 THK.
 - FINISH: BLACK ANODIZED PER MIL-A-8625, TYPE II, CLASS 2.
 - REMOVE ALL BURRS AND SHARP EDGES.
 - MARK PART NUMBER AND REVISION. STAMP OR USE A NON-CONDUCTIVE INDELIBLE INK, (FREE OF CARBON) CONTRASTING COLOR, 0.09-0.125 HIGH CHARACTERS LOCATE APPROXIMATELY AS SHOWN. i.e. XX-XXX_revX.

DASH NUMBER	NEXT ASSY	USED ON
APPLICATION		

UNLESS OTHERWISE SPECIFIED DIMENSION ARE IN INCHES TOLERANCES ARE:		CUSTOMER	
2 PL DEC ± .02	FRACT ± 1/64	DRAWN	DS
3 PL DEC ± .010	ANGLES ± 2°	CHKD	S ORBAN
		MFG	N/A
		MFG ENGR	D. PARANT
		PROCESS	N/A
		QA	TONY CHLIEK
		CHIEF ENG	J. MORRISON
		CFN	BR-011_revA1.dwg

ULTRAVOLT, INC.
1800 OCEAN AVE. FRNT, RONKONKOMA, N.Y. 11779
1-631-471-4444

VERTICAL MTG BRACKET HP "C" 60W/125W
(BRACKET KIT OPTION ORDER BR-11 KIT)

PART NUMBER: **BR-011** REV **A1**

SCALE NONE DO NOT SCALE THIS DRAWING SHEET 1 OF 1