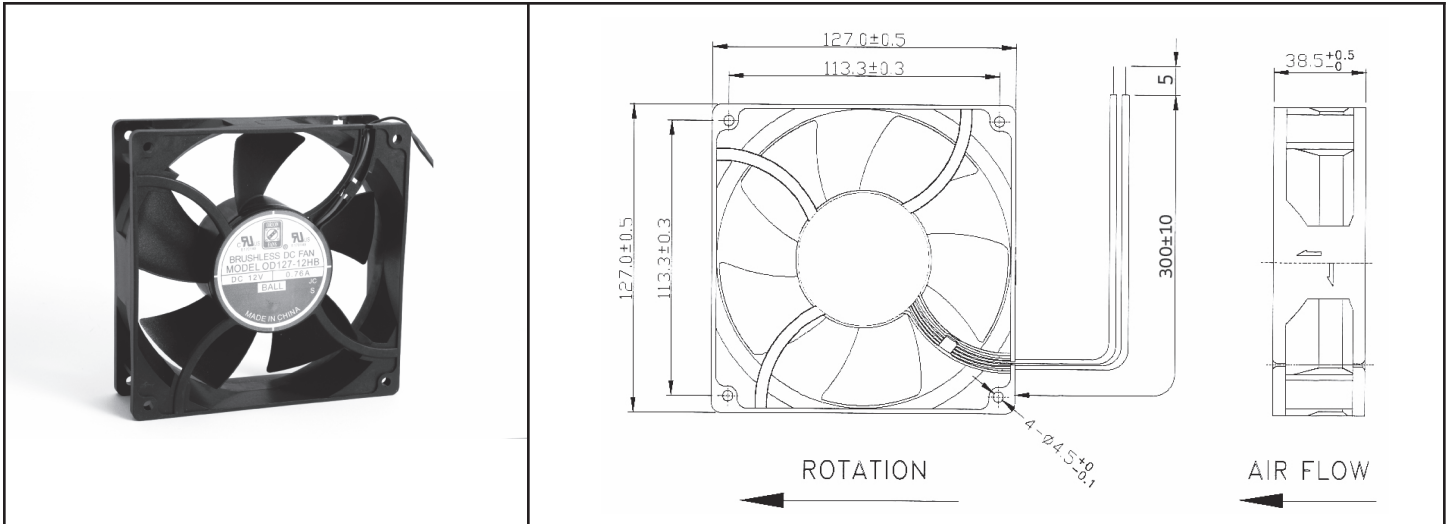


OD127 Series



DC Fan - 12, 24, 48V
127x38.5mm (5.0"x 1.5")



Frame & Impeller	PBT, UL94V-0 plastic	Available Options: Tachometer Alarm Thermal Speed Control PWM Input <u>Life Expectancy (L10)</u> Ball - 60,000 hrs (45C) <u>Operating Temperature</u> Ball: -10C ~ 70C Weight: ~.82 lbs m1	
Connection	2x Lead wires		
Motor	Brushless DC, auto restart, polarity protected		
Bearing System	Dual Ball bearing		
Insulation Resistance	10M ohm between leadwire and frame (500VDC)		
Dielectric Strength	1 minute at 500 VAC, max leakage < 500 MicroAmp		
Storage Temperature	-40C ~ +80C		

Model Number	Speed (RPM)	Airflow (CFM)	Noise (dB)	Volts DC	Voltage Range	Amps	Max. Static Pressure ("H ₂ O)
OD127-12HHB	3500	193	56	12	8~14	1.2	0.46
OD127-12HB	2950	161	53	12	8~14	0.78	0.35
OD127-24HHB	3500	193	56	24	11~28	0.60	0.46
OD127-24HB	2950	161	53	24	11~28	0.41	0.35
OD127-48HHBXC	4500	242	64	48	22~55	0.70	0.63
OD127-48HB XC	4100	226	63	48	22~55	0.55	0.55
OD127-48HHB	3500	193	56	48	22~55	0.34	0.46
OD127-48HB	2950	161	53	48	22~55	0.23	0.35
OD127-48LB	2500	133	48	48	22~55	0.17	0.23
OD127-48LLB	2000	107	41	48	22~55	0.12	0.16