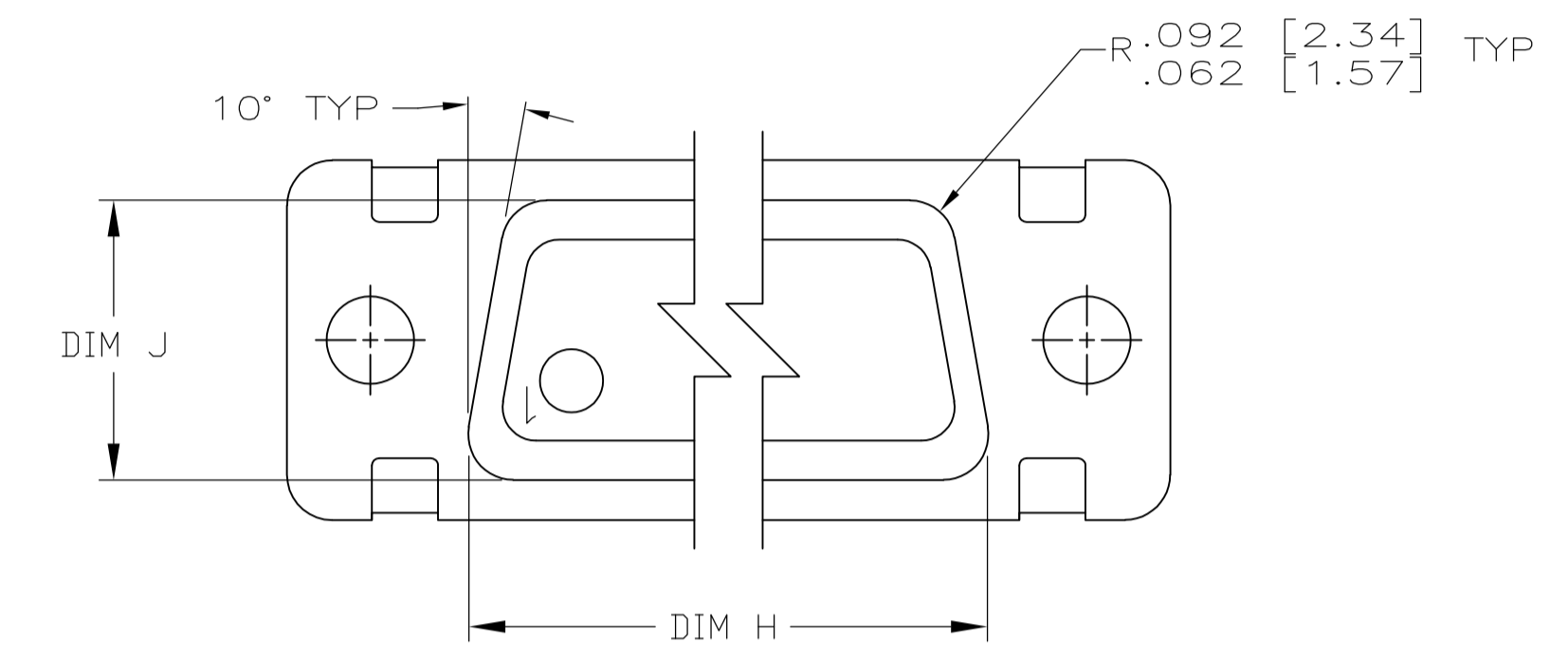
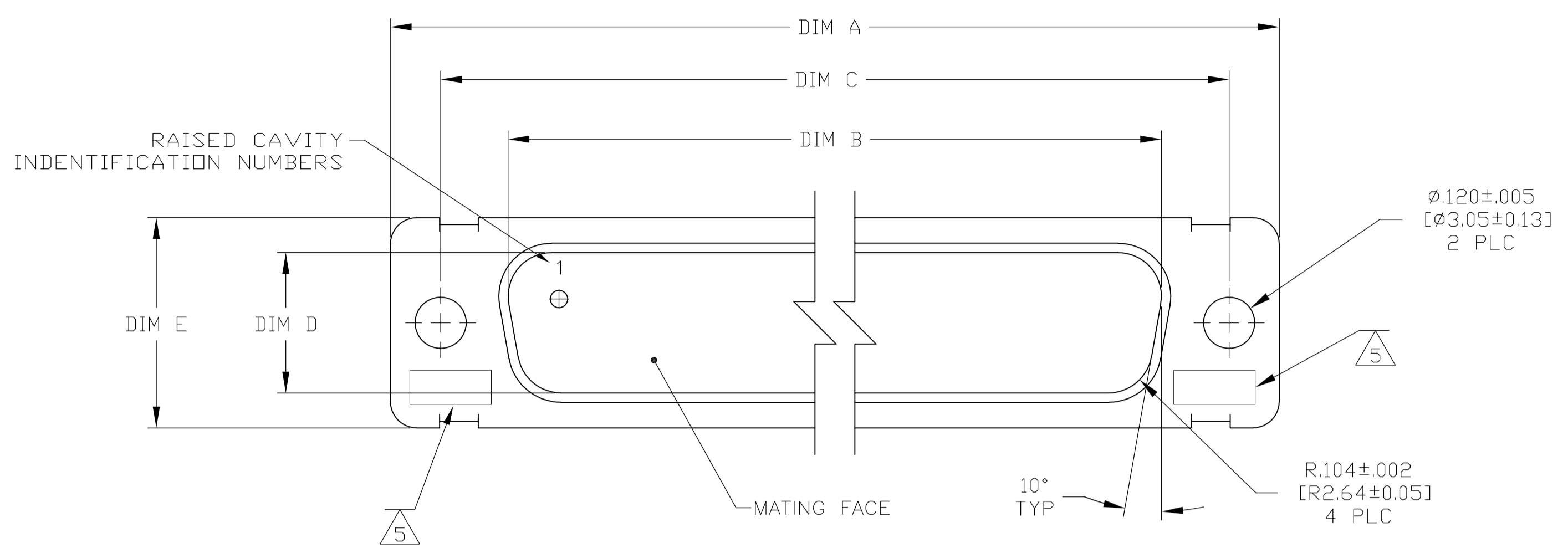
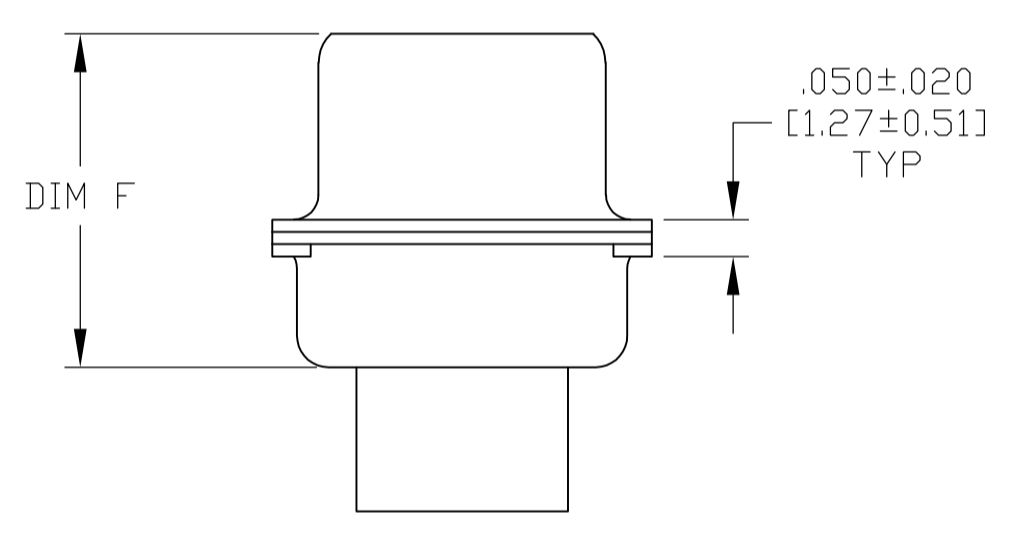
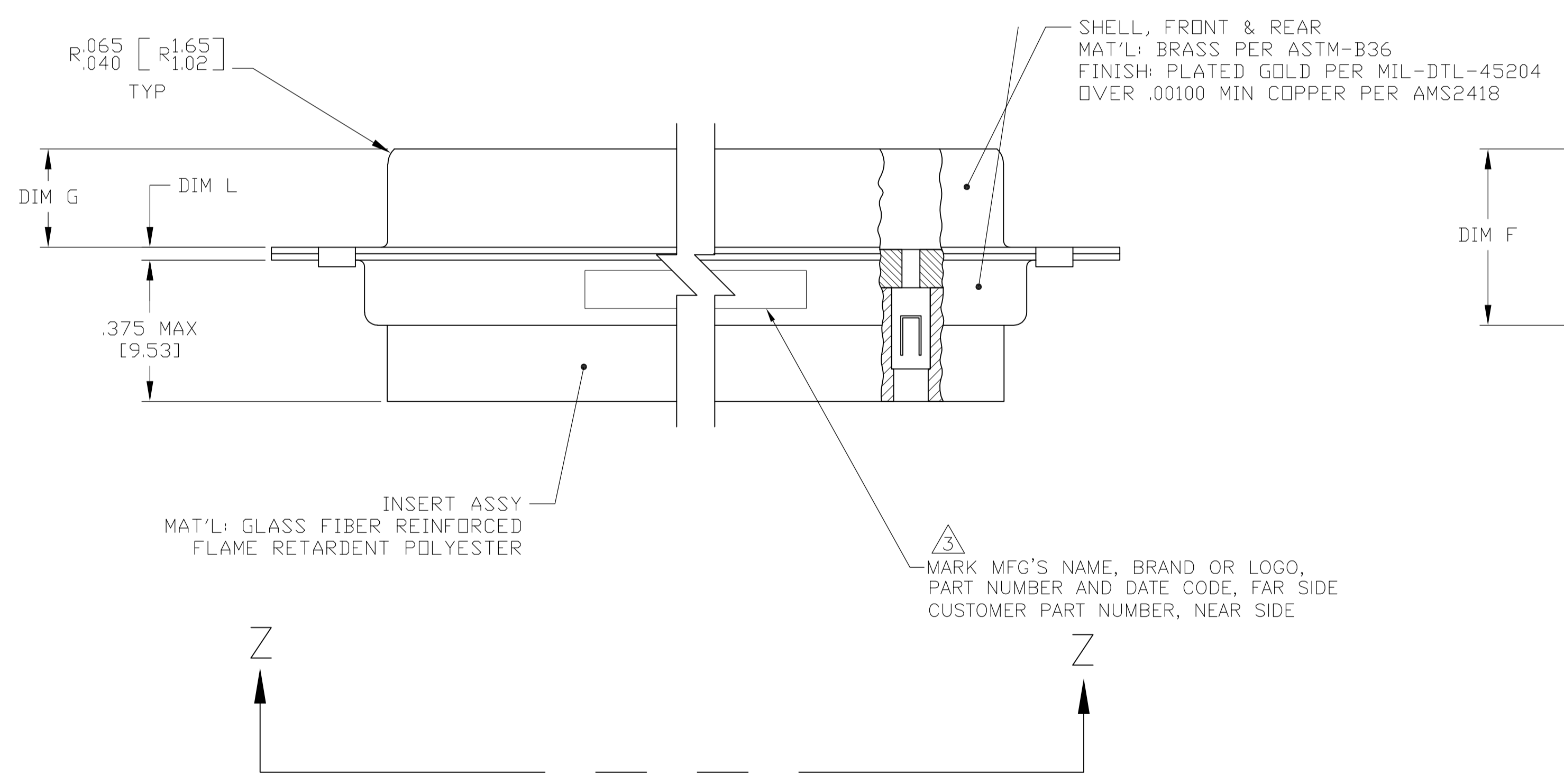


| REVISONS | | DATE | BY | APP'D |
|----------|-----------------------|---------|----|-------|
| E | REV PER ECO-08-030664 | 17APR09 | PY | RL |



VIEW Z-Z



- THIS CONNECTOR ASSEMBLY IS SUPPLIED WITH Be Cu CONTACT RETENTION CLIPS INSTALLED IN THE INSERT ASSEMBLY.
- THIS CONNECTOR ASSEMBLY MATES WITH ANY RECEPTACLE CONNECTOR WITH THE SAME INSERT ARRANGEMENT AND DIMENSIONAL REQUIREMENTS PER MIL-C-24308.
- MARKED WITH $.047$ [1.19]- $.062$ [1.57] HIGH CHARACTERS. FAR SIDE REFERS TO THE WIDE SIDE OF THE KEYSTONE. NEAR SIDE REFERS TO THE NARROW SIDE OF THE KEYSTONE.
- MAXIMUM WIRE INSULATION TO BE USED WITH THIS CONNECTOR ASSEMBLY IS $.068$ [1.73] DIAMETER.
- UL/CSA DESIGNATION STAMPED IN THIS AREA.
- SPECIAL REQUIREMENTS PER BOEING 1A01 DOCUMENT.
- BUILT TO ORDER, NO INVENTORY OF THIS PART NUMBER IS TO BE KEPT. SINGLE LOT DATE CODE REQUIRED.

| 1A01-009PHW | .049 [1.24] | .432 [10.97] | 2.282 [57.96] | .236 [5.99] | .436 [11.07] | .509 [12.93] | .334 [8.48] | 2.505 [63.63] | 2.187 [55.55] | 2.744 [69.70] | MS18276-1 | 37 | 4 | 1-211621-1 |
|------------------|-------------|--------------|---------------|-------------|--------------|--------------|-------------|---------------|---------------|---------------|--------------------|-----------|------------|-------------|
| 1A01-009PHA | .049 [1.24] | .432 [10.97] | 2.282 [57.96] | .236 [5.99] | .436 [11.07] | .509 [12.93] | .334 [8.48] | 2.505 [63.63] | 2.187 [55.55] | 2.744 [69.70] | MS18276-1 | 37 | 4 | 211621-1 |
| CUSTOMER MARKING | L | J | H | G | F | E | D | C | B | A | INSERT ARRANGEMENT | NO OF POS | SHELL SIZE | PART NUMBER |

THIS DRAWING IS A CONTROLLED DOCUMENT.

DIMENSIONS: INCHES. TOLERANCES UNLESS OTHERWISE SPECIFIED:

| | |
|--------|---------------|
| 0 PLC | ± - |
| 1 PLC | ± - |
| 2 PLC | ± - |
| 3 PLC | ± .005 [0.13] |
| 4 PLC | ± - |
| ANGLES | ± ± 1° |

MATERIAL: SEE CALLOUTS. FINISH: SEE CALLOUTS.

THIS DRAWING IS A CONTROLLED DOCUMENT. DWN: C.C.THOMAS 3-26-07. CHK: D. MILLER 3-27-07. APP'D: D. MILLER 3-27-07. NAME: Tyco Electronics Corporation, Harrisburg, PA 17105-3608. PRODUCT SPEC: PLUG ASSEMBLY, ANPLIMITE 37 POSN, SIZE 4, SERIES 109 NON-MAGNETIC. APPLICATION SPEC: ---. WEIGHT: ---. SIZE: A1. SCALE: 4:1. SHEET: 1 OF 1. REV: E.