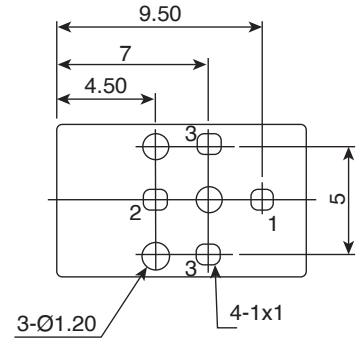
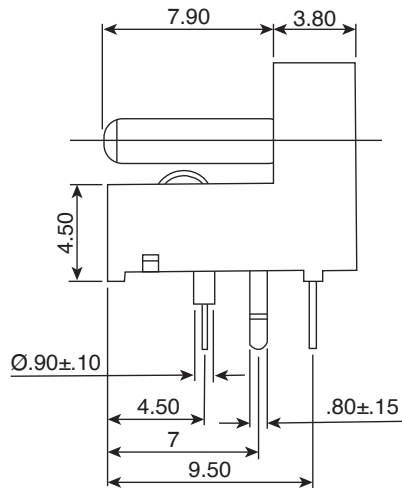
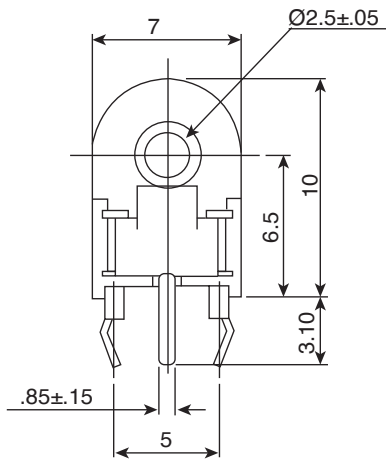
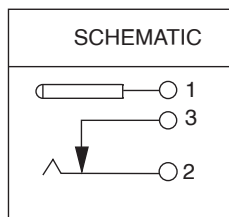


DIMENSIONS: mm



T:1.6 Dimensions of PC board holes
Tolerance : ± 0.1(Printed-top view)



Materials		
HOUSING	PA66	BLACK
CENTER PIN	H59(COPPER ALLOY)	Ni PLATED
SHUNT TERMINAL	C2680 ← t=0.30	Ag PLATED
TIP SPRING	C5191 ← t=0.25	Ag PLATED
CENTER PIN TERMINAL	C2680 ← t=0.30	Ag PLATED

- Note:**
- RoHS Compliant by Exemption