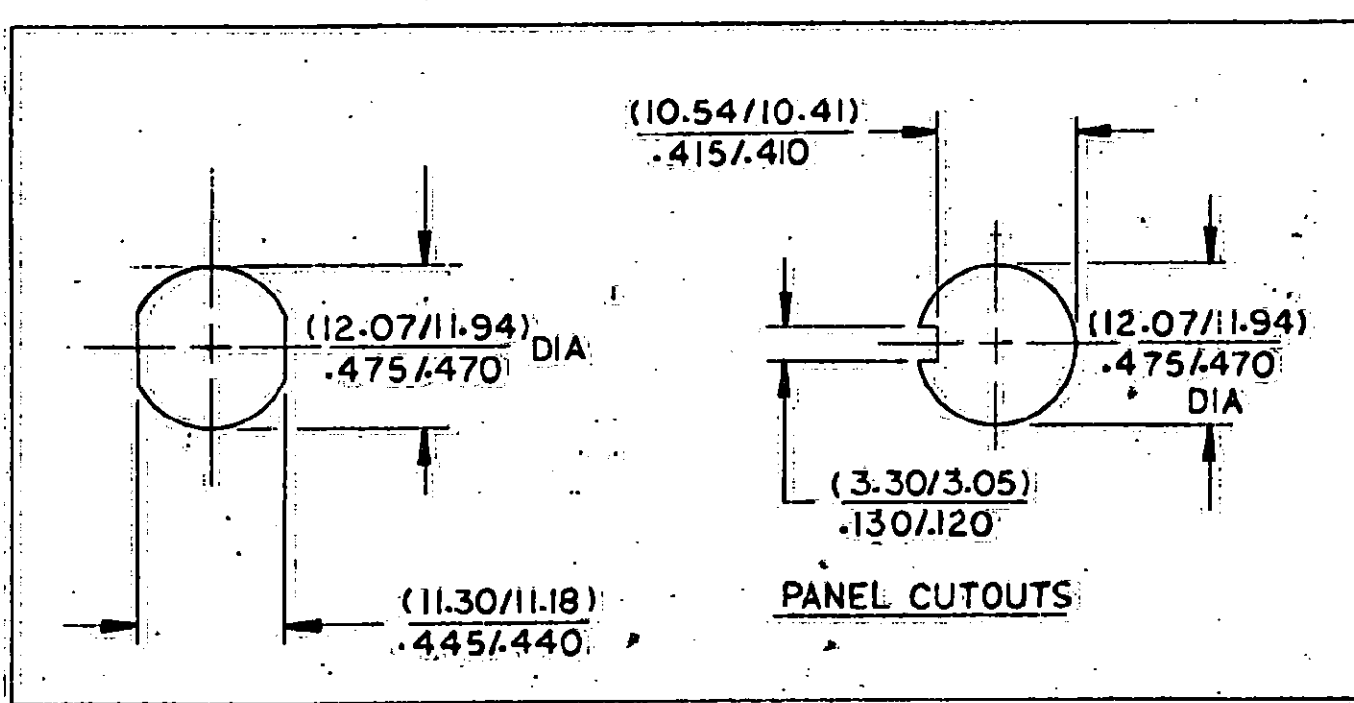
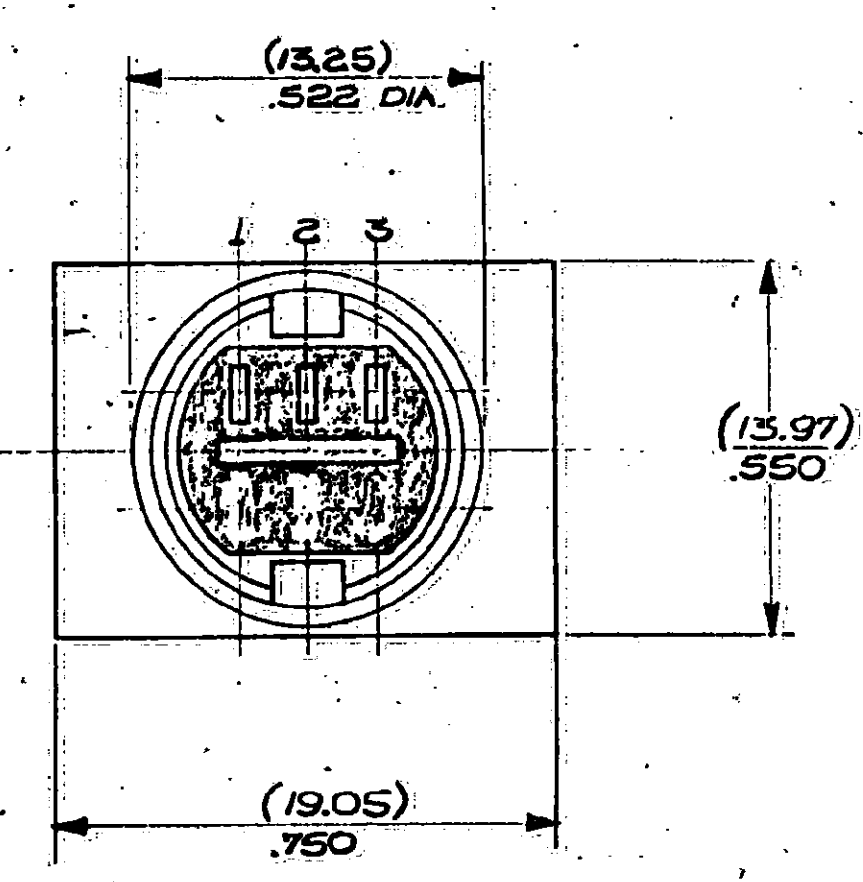
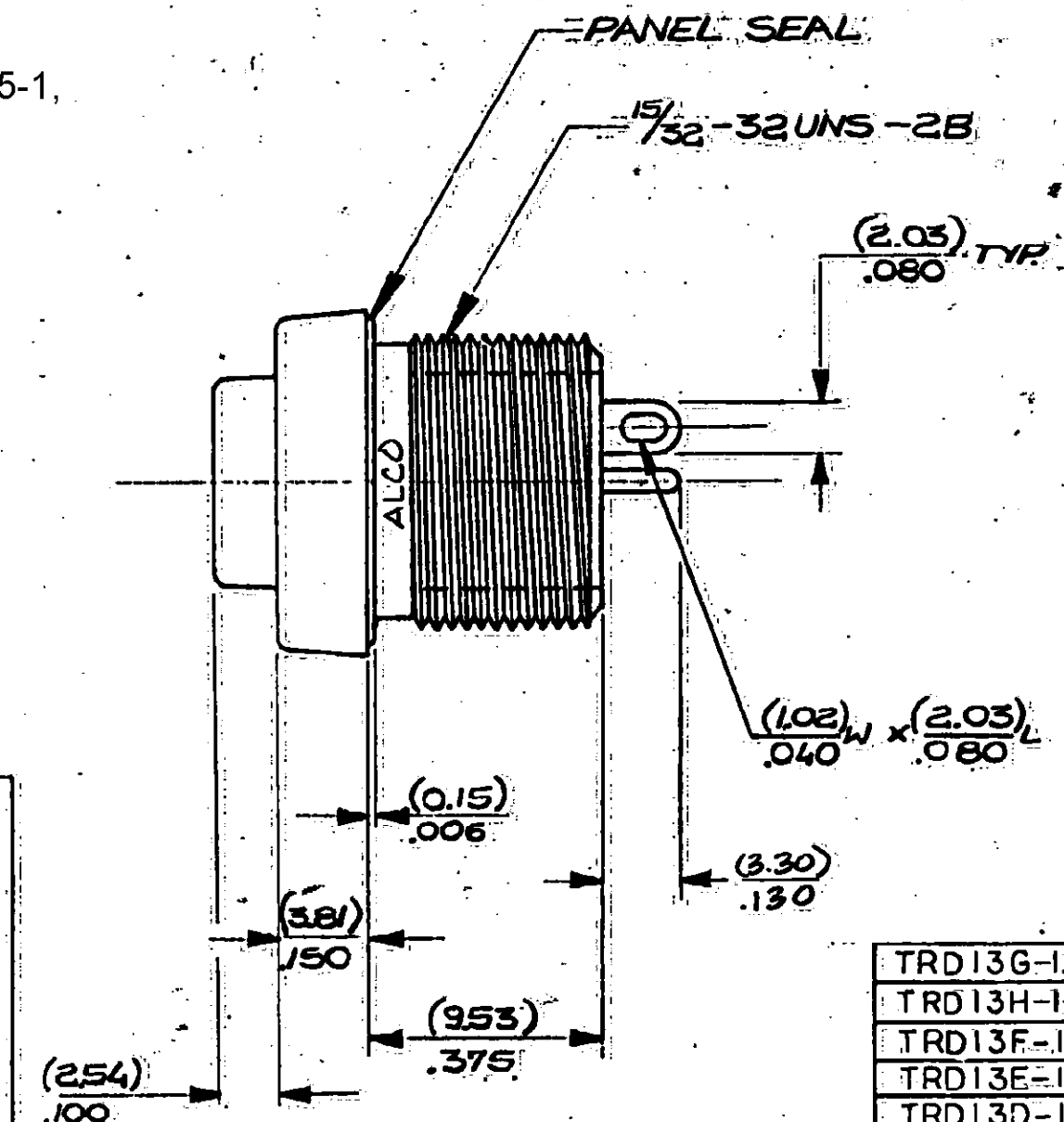
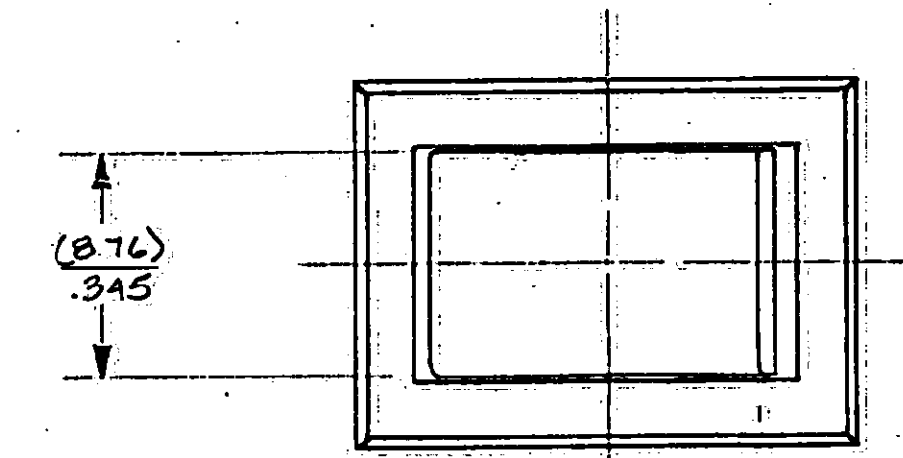
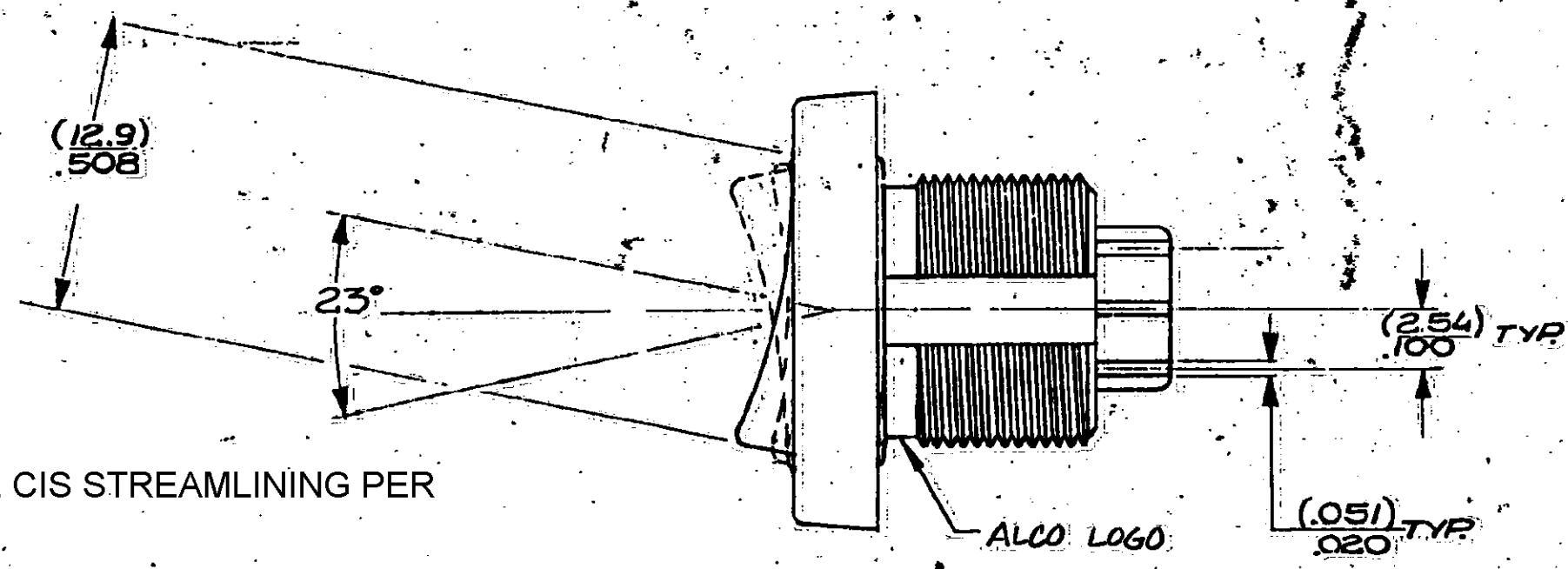


SPECIFICATIONS:
 CONTACT RATING: SILVER, 3AG
 125VAC OR 28VDC (RESISTIVE);
 INITIAL CONTACT RESISTANCE:
 20 MILLIOHMS MAX.
 INSULATION RESISTANCE: 1,000
 MEGOHMS. MINIMUM @ 500VDC.
 DIELECTRIC STRENGTH: 500
 VOLTS RMS AT SEA LEVEL.
 MTG HARDWARE: 1 LOCKWASHER
 AND 1 HEX NUT.

*ROCKER COLORS	
0	BLACK
2	RED
6	BLUE
9	WHITE

- 1 OBSOLETE PARTS: OBSOLETE CIS STREAMLINING PER
 D.RENAUD/D.SINISI
 9-1437595-6
- 2 SUPERCEDED PARTS
 7-1437595-7, 8-1437595-0, 8-1437595-3, 8-1437595-4, 9-1437595-1,
 9-1437595-3, 9-1437595-6, 9-1437595-8.



TRD13G-1-*	(2-3)	OFF	(2-1)
TRD13H-1-*	2-3	OFF	(2-1)
TRD13F-1-*	2-3	NONE	(2-1)
TRD13E-1-*	2-3	OFF	2-1
TRD13D-1-*	2-3	NONE	2-1
SWITCH ACTION	ALCO LOGO 1 2 3	ALCO LOGO 1 2 3	ALCO LOGO 1 2 3

() - INDICATES A MOMENTARY CIRCUIT CLOSURE.
 TERMINALS CONNECTED WHEN TOGGLE IS IN POSITION SHOWN.
 NOTE: TERMINAL DESIGNATION NUMBERS ARE FOR REFERENCE ONLY AND DO NOT APPEAR ON SWITCHES.

(MM) INCH TOL: (.025) .010 ±3° ANGLE

ALCO CONFIDENTIAL		40173		DIMENSIONING AND TOLERANCING PER ANSI Y 14.5		INSPECT PER ALCO QAS 100		DATE: 12-03-99		SYMBOL: AQL		CHK: S. Barabara 10/1/99		APPV: P. Ward 10/1/99		MATERIAL: / /		FINISH: / /		DO NOT SCALE DRAWING		ALCO ELECTRONIC PRODUCTS, Inc. North Andover, MA 01845		TITLE: OUTLINE - ROCKER SWITCH, TRD SPDT (TRD 13-I SERIES)		SCALE: 4:1		SHEET: 1 OF 1		REV: A1		
ECO-09	08FEB	HMR	10	026496	10	10/1/99	10/1/99	10/1/99	10/1/99	10/1/99	10/1/99	10/1/99	10/1/99	10/1/99	10/1/99	10/1/99	10/1/99	10/1/99	10/1/99	10/1/99	10/1/99	10/1/99	10/1/99	10/1/99	10/1/99	10/1/99	10/1/99	10/1/99	10/1/99	10/1/99	10/1/99	10/1/99