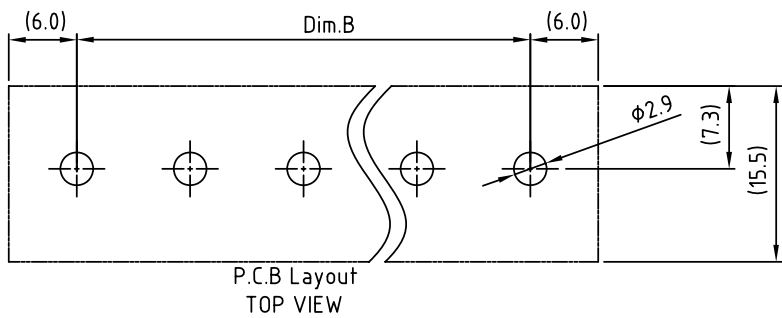
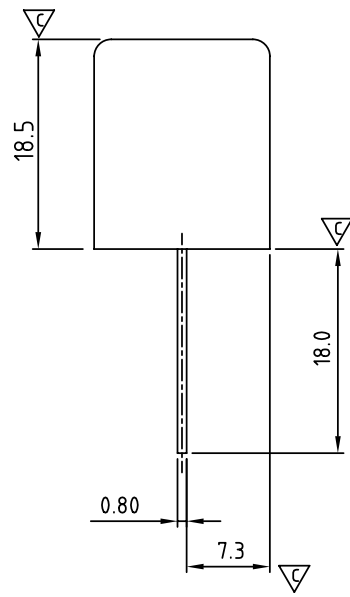




N= Number of Poles  
Dimension Dim A, B

Dim.A	$N \times 10.0 + 2.0$
Dim.B	$(N-1) \times 10.0$

Poles	Tolerance
2P-5P	$\pm 0.20$
6P-10P	$\pm 0.25$
11P-16P	$\pm 0.35$
17P-24P	$\pm 0.40$
25P-30P	$\pm 0.50$



SIGN	DATE	DESCRIPTION	APPROVER
△	11/13'12	Change the screw plating specification	Guoxue
△	11/13'12	Change the dimensional tolerance	Guoxue
△	11/13'12	Update the drawing	Guoxue

THIS IS CAD DRAWING, DO NOT REVISE MANUALLY!!!

MATERIALS ELECTRICAL  
 RATED VOLTAGE & CURRENT: 300 V, 25 A  
 WITHSTAND VOLTAGE: AC 2000 V/Min  
 INSULATION RESISTANCE: 1000 MΩ OR MORE AT DC 500 V  
 OPERATING TEMPERATURE RANG: -40 °C ~ +115 °C  
 SCREW TORQUE VALUE: 8.8 Lb-In.  
 WIRE RANGE: 22 - 12 AWG  
 1) MOLDED PARTS: POLYIMIDE 66, UL 94 V-0 BLACK  
 2) TERMINAL: BRASS, 0.8t, Tin PLATED  
 3) TERMINAL SCREWS: STEEL, M3.5

APPROVAL:

Critical dimension:

PART NO.: YK 616 xx 0 x x 00G  
 G RoHS compliant (lead<4%)  
 In copper Alloy

NO. OF POLES  
 02: 2 POLES  
 03: 3 POLES  
 04: 4 POLES  
 ...  
 30: 30 POLES

MARK  
 0: "@ " MARK  
 1: "ANY " MARK  
 TERMINAL & SCREW PLATED  
 0: TERMINAL & SCREW: G/F  
 △ 1: TERMINAL: G/F, SCREW: ZINC  
 2: TERMINAL: Sn, SCREW: G/F  
 △ 3: TERMINAL: Sn, SCREW: ZINC

# ANYTEK

## CUSTOMER COPY

ALL RIGHTS RESERVED. REPRODUCTION OR ISSUE TO THIRD PARTIES IN ANY FORM WHATSOEVER IS NOT PERMITTED WITHOUT WRITTEN AUTHORITY FROM THE PROPRIETOR. PROPERTY OF ANYTEK TECHNOLOGY CO., LTD

TITLE		YK-616 W/O Flange Series			
PART NO.		YK616xx0xx00G		DWG NO.	8YK0001-616
APPROVED	CHECKED	DESIGNED	DRAWN	CUST NO.	
		Guoxue 2012.12.01	Guoxue 2012.12.01		
					Tolerance
					UNIT: mm
				SCALE: NONE	X.X ±0.30
				SHEET: 01/01	X.XX ±0.10
				REV.: D	X° ±1°