

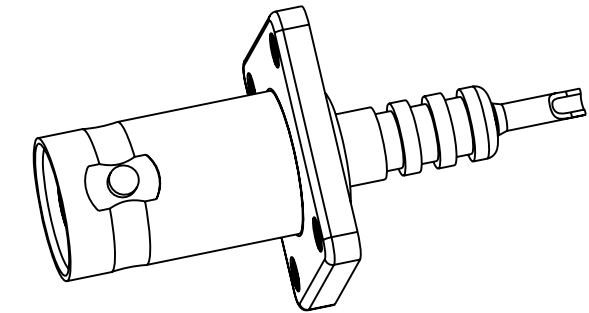
NOTES:

1. MATERIALS AND FINISHES(PLATING THICKNESS IN MICRO-INCHES):  
 BODY - BRASS, NICKEL PLATING  
 CONTACT - BeCu, SILVER PLATING  
 INSULATOR - PTFE
2. ELECTRICAL:  
 A. IMPEDANCE: NON-CONSTANT  
 B. FREQUENCY RANGE: DC-50 GHz  
 C. VOLTAGE RATING: 5,000 VOLTS PEAK
3. MECHANICAL:  
 A. TEMPERATURE RANGE: -65° C TO +165° C

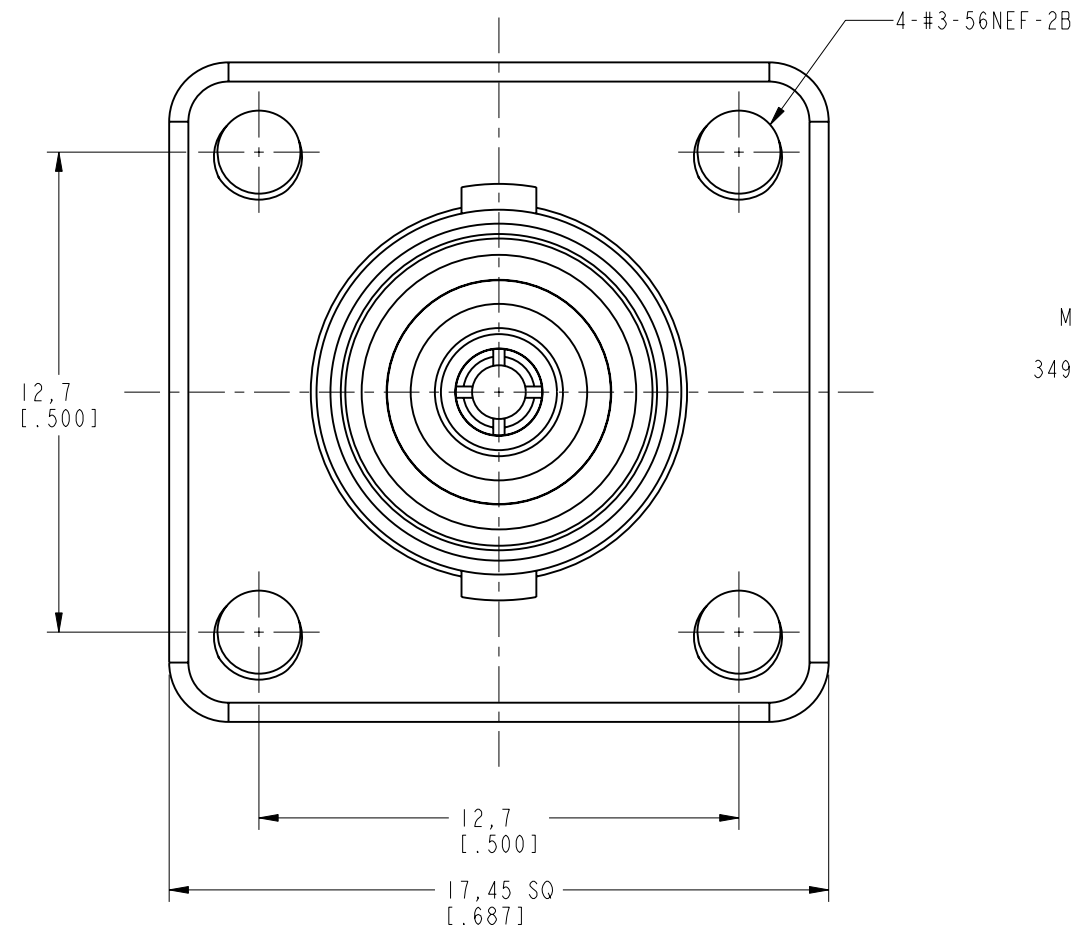
THIRD ANGLE PROJ.

REVISIONS

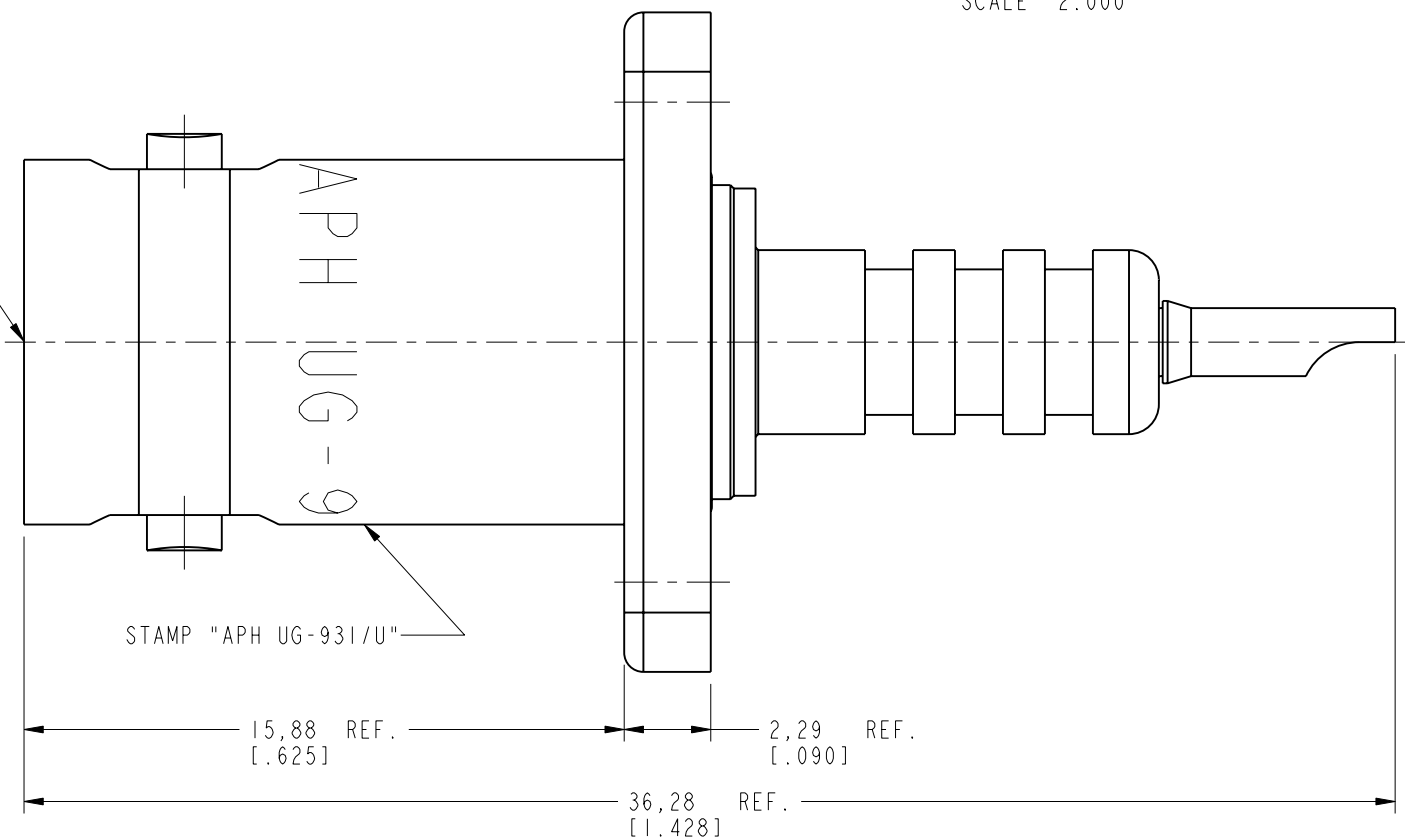
REV	DESCRIPTION	DATE	ECO	APPR
A	OFFICIAL ENG.RELEASE TO MFG.	5/20/63	8599	
A2	SOLDER OF NO.1 WAS CHANGED\N/A	12-21-05'		SH
U	THE STAMP WAS CHANGED\RD-DM11082301R3	17-Aug-11	48752	SH



SCALE 2.000



MUST CONFORM TO AMPHENOL SPEC 349-50551, SEC 303



**CUSTOMER OUTLINE DRAWING**

ALL OTHER SHEETS ARE FOR INTERNAL USE ONLY

UNLESS OTHERWISE SPECIFIED, DIMENSIONS ARE IN METRIC AND TOLERANCES ARE: <0.5mm ±0.05mm    0.5 - 6mm ±0.1mm    6 - 30mm ±0.2mm    30 - 120mm ±0.3mm    ANGLES ±1°	MATERIAL	DRAWN R. MAO	DATE 17-Aug-11	TITLE MINIATURE H.V. RECEPTACLE UG-931/U	Amphenol RF www.amphenolrf.com
	REFERENCE	ENGINEER TOM	DATE 05-14-04'		
	FINISH	APPROVED S. HSIEH	DATE 17-Aug-11	SCALE: 5.0:1.0   SHEET 2 OF 2	ITEM NO. 27000
		SIMILAR TO 27100 & RHV-115	CAD FILE I:\RHV\27000	DWG SIZE B	REV U

NOTICE - These drawings, specifications, or other data (1) are, and remain the property of Amphenol corp. (2) must be returned upon request; and (3) are confidential and not to be disclosed to any person other than those to whom they are given by Amphenol Corp. the furnishing of these drawings, specifications, or other data by Amphenol Corp., or to any other person to anyone for any purpose is not to be regarded by implication or otherwise in any manner licensing, granting rights to permitting such holder or any other person to manufacture, use or sell any product, process or design, patented or otherwise, that may in any way be related to or disclosed by said drawings, specifications, or other data.