



PART NO. : TG35-1505NCRL

T1/E1/CEPT/ISDN-PRI TRANSFORMER MODULE

12PIN SURFACE MOUNT PACKAGE

LEAD-FREE/RoHS COMPLIANT

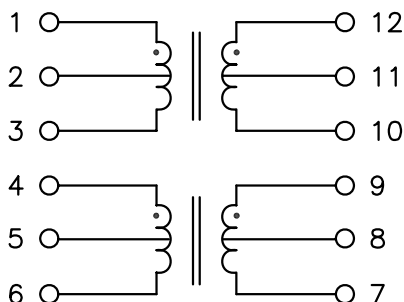
COMPATIBLE TO LEAD-FREE SOLDERING PROCESS
CONDITION PER IPC/JEDEC J-STD-020C

UL60950 RECOGNIZED

EXTENDED OPERATING TEMPERATURE -40/+85°C



DIMENSIONS: Inch [mm]
CO-PLANARITY: 0.004 [0.10]
TOLERANCES: ±0.005 INCH IF NOT SPECIFIED



ELECTRICAL SPECIFICATIONS @25° C

URNS RATIO

P12-10:P1-3

1CT:1.15CT±2%

P4-6:P9-7

1CT:1CT±2%

ACL P4-6,P12-10

1.5mH typ

DCR P4-6,P12-10

0.9Ω max

Cw/w

35pF max

LL P4-6,P12-10

0.5μH max

CROSSTALK 0.5-5MHz

-60dB typ

ISOLATION

1,500Vrms

HALO/PBL

CALIFORNIA, USA
KOWLOON, HONG KONG
SINGAPORE

TITLE ISOLATION TRANSFORMERS

FOR T1/E1 (1:1.15,1:1)

PART NO. TG35-1505NCRL

SCALE NONE PAGE 1 OF 1

SIGNATURES

DRAWN PETER LU

CHECKED

APPROVED

FILE TG351505NCRL.DWG

DATE

7/25/06

REV.

A

DESC.

DATE