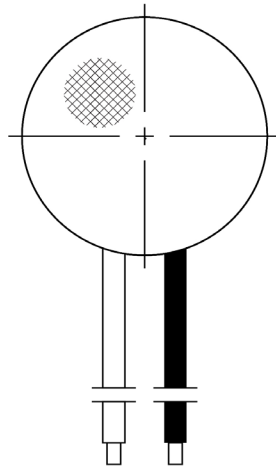
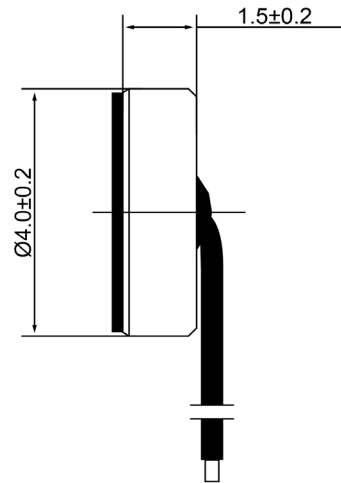


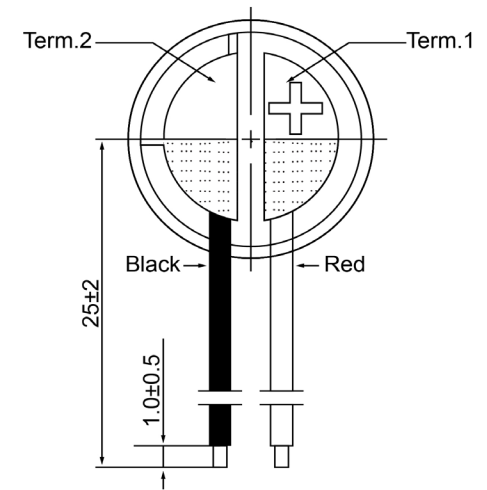
TOP VIEW




SIDE VIEW



BOTTOM VIEW



Specifications			Notes	Revision History					
Description	Value	Unit		Version	Description	Date	Approved		
Directivity	Omnidirectional		1) All dimensions are in mm unless otherwise noted 2) All parts meet RoHS  DB UNLIMITED	1	Released from Engineering	10/21/2013	J.S		
Technology	Electret Condenser								
Sensitivity	-42	(dB)							
Frequency Range	50 ~ 16,000	(Hz)							
Rated Voltage	2	(V)							
Output Impedance	2,200	(Ohm)							
Connection Method	Lead Wire								
Voltage Range	2 ~ 10	(V)							
Max Rated Current	0.5	(mA)							
Minimum Signal to Noise Ratio	>60	(dB)							
Operating Temperature	-20 ~ +60	°C							
Storage Temperature	-25 ~ +70	°C							
				Drawn by	Date	Checked by	Date	Approved by	Date
				A.B.	10/21/2013	C.E.	10/21/2013	J.S	10/21/2013
				Electret Condenser Microphone			MO044202-3		