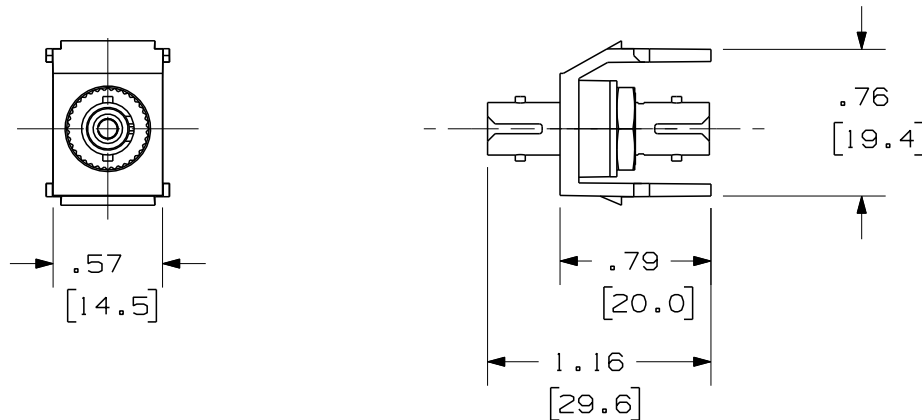
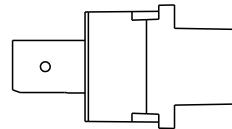


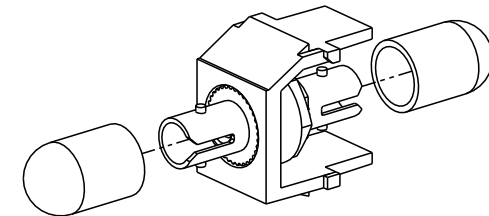
THIS COPY IS PROVIDED ON A RESTRICTED BASIS AND IS NOT TO BE USED IN ANY WAY DETRIMENTAL TO THE INTERESTS OF PANDUIT CORP.

PANDUIT PART NUMBER	MODULE BASE COLOR
NKSTM BL	BLACK
NKSTM EI	ELECTRIC IVORY
NKSTM IG	INTERNATIONAL GREY
NKSTM IW	INTERNATIONAL WHITE
NKSTM WH	WHITE



NOTES:

- SEE CURRENT CATALOG FOR ADDITIONAL PART NUMBER SUFFIXES TO INDICATE COLOR AND /OR PACKAGE QUANTITY.
- SEE CATALOG FOR COMPLETE LIST OF PARTS APPLICABLE FOR USE WITH THIS PART.
- ST ADAPTER ALIGNMENT SLEEVE MATERIAL IS PHOS. BRONZE.
- DIMENSIONS IN BRACKETS ARE METRIC [ mm ].
- ADAPTER SLOT ORIENTATION MAY VARY.

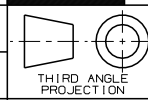


REV	DATE	BY	CHK	DESCRIPTION	ECN	R	CUST	SUP	OTH
R	02-23-06	MC		RELEASED TO PRODUCTION	37261-20				

NETKEY FIBER OPTIC  
ST ADAPTER MODULE  
CUSTOMER DRAWING



**PANDUIT**™  
CORP.  
TINLEY PARK, ILL 60477



ALL DIMENSIONS ARE GIVEN IN INCHES  
UNLESS OTHERWISE SPECIFIED.  
DIMENSIONAL TOLERANCES ARE:  
(.X) (.XXX) ± .010 (0.3)  
(.XX) ± .03 (0.8) ANGLES

DRAWING FILENAME  
D37261AC\_DC\_01A.prt

SCALE  
NONE

DRAWN BY  
MC

REVIEW DRAWING NUMBERS

PART NO.  
NKSTM\*\*

DATE  
02-22-06

DRAWING NO.  
37261-20

CHK'D

SIZE  
A