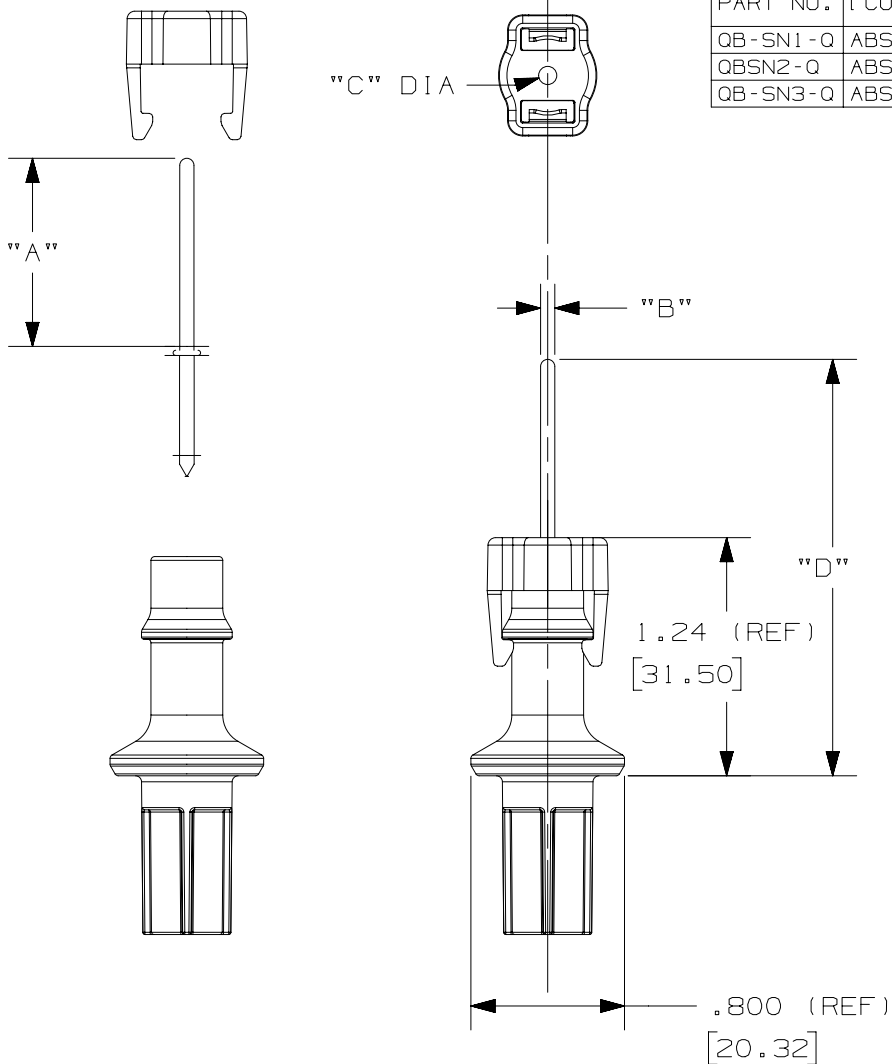


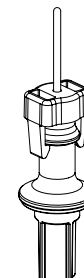
THIS COPY IS PROVIDED ON A RESTRICTED BASIS AND IS NOT TO BE USED IN ANY WAY DETRIMENTAL TO THE INTERESTS OF PANDUIT CORP.

PANDUIT PART NO.	MATERIAL [ COLOR ]	NAIL PART NO.	"A" NAIL LENGTH FROM FLANGE (REF)	"B" NAIL DIAM. (REF)	"C" HOLE DIAM. (REF)	"D" OVERALL HEIGHT (REF)
QB-SN1-Q	ABS [ WHITE ]	HBN1-T	1.0 [ 25.4 ]	0.074 [ 1.88 ]	.079 [ 2.007 ]	2.168 [ 55.07 ]
QBSN2-Q	ABS [ BLACK ]	HBN2-T	2.0 [ 50.8 ]	.090 [ 2.286 ]	.094 [ 2.388 ]	3.168 [ 80.47 ]
QB-SN3-Q	ABS [ GRAY ]	HBN3-T	3.0 [ 76.2 ]	.121 [ 3.073 ]	.128 [ 2.351 ]	4.168 [ 105.87 ]



NOTES:

1. DIMENSIONS IN BRACKETS [ ] ARE METRIC [ mm ]
2. PRODUCT IS DESIGNED TO BE INSERTED INTO PANDUIT PART: QB-MOUNT.
3. PRODUCT DESIGNED TO SUPPORT A MAXIMUM STATIC LOAD OF 5 LBS.
4. PRODUCT IS RATED FOR ENVIRONMENTAL CONDITIONS OF 40-100°F IN ALL HUMIDITY RANGES.
5. NAILS SOLD SEPARATELY.



SCALE 1:2

TITLE <b>QUICK-BUILD SINGLE NAIL BASE FOR USE WITH HBN1-T, HBN2-T, HBN3-T; 25 PER PACKAGE (QB-SN1-Q, QB-SN2-Q, QB-SN3-Q)</b>		CUSTOMER DRAWING	
ITEM REVISION NAME <b>14L203AS/01</b>		<b>PANDUIT</b>	
DATASET FILE NAME <b>14L203AS-DC</b>			
UNLESS OTHERWISE SPECIFIED, DIMENSIONAL TOLERANCES ARE: IN [ mm ] .x ± .1 [ 2.54 ]      .xxx ± .005 [ .127 ] .xx ± .01 [ .25 ]      ANGLES ± 5 °		MATERIAL: <b>SEE NOTES</b>	
DRAWING NUMBER: <b>14L203AS-DC</b>		THIRD ANGLE PROJECTION	
DRAWN BY <b>ANF</b>	DATE <b>06-10-2015</b>	CHK <b>DJW</b>	SCALE <b>1:1</b>
SHT 1 OF 1		SIZE <b>A</b>	

00	6-10-15	ANF	DJW	MSAD	DRAWING RELEASED	GAECN03013
REV	DATE	BY	CHK	APR	DESCRIPTION	ECN