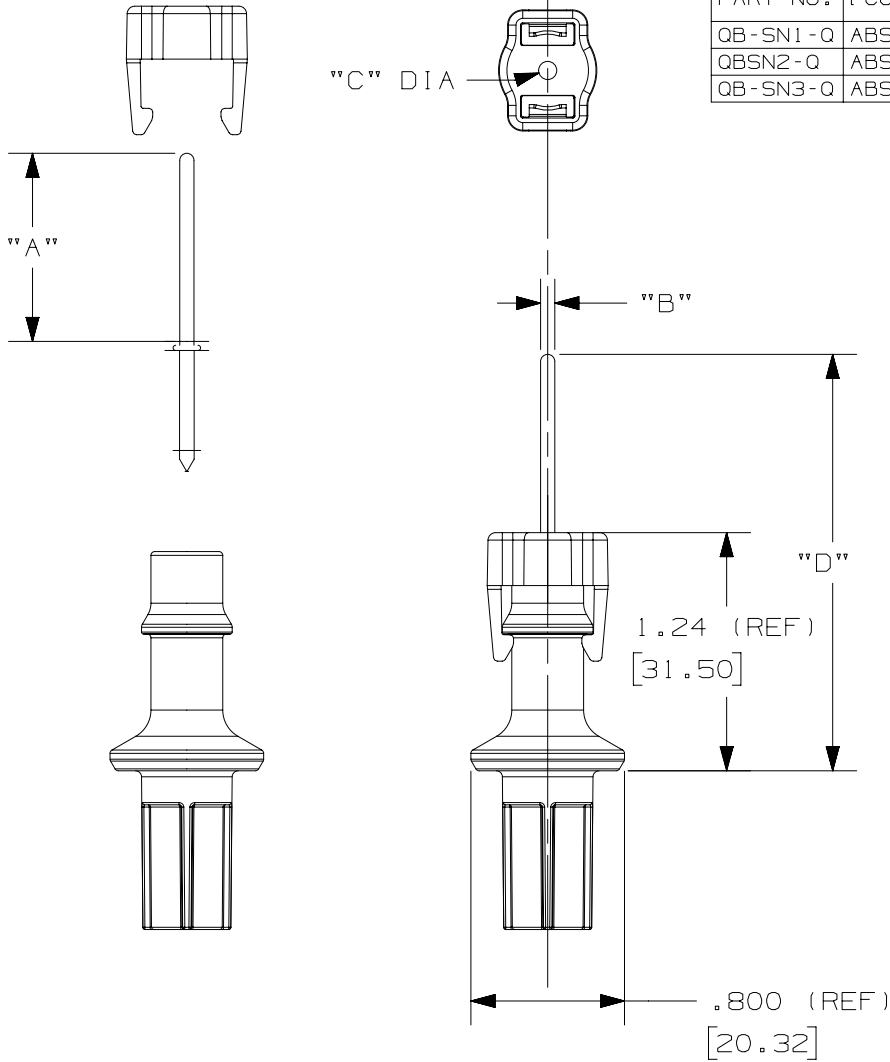


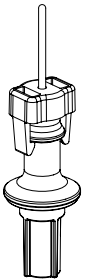
THIS COPY IS PROVIDED ON A RESTRICTED BASIS AND IS NOT TO BE USED IN ANY WAY DETRIMENTAL TO THE INTERESTS OF PANDUIT CORP.

PANDUIT PART NO.	MATERIAL [COLOR]	NAIL PART NO.	"A" NAIL LENGTH FROM FLANGE (REF)	"B" NAIL DIAM. (REF)	"C" HOLE DIAM. (REF)	"D" OVERALL HEIGHT (REF)
QB-SN1-Q	ABS [WHITE]	HBN1-T	1.0 [25.4]	0.074 [1.88]	.079 [2.007]	2.168 [55.07]
QBSN2-Q	ABS [BLACK]	HBN2-T	2.0 [50.8]	.090 [2.286]	.094 [2.388]	3.168 [80.47]
QB-SN3-Q	ABS [GRAY]	HBN3-T	3.0 [76.2]	.121 [3.073]	.128 [2.351]	4.168 [105.87]



NOTES:

1. DIMENSIONS IN BRACKETS [] ARE METRIC [mm]
2. PRODUCT IS DESIGNED TO BE INSERTED INTO PANDUIT PART: QB-MOUNT.
3. PRODUCT DESIGNED TO SUPPORT A MAXIMUM STATIC LOAD OF 5 LBS.
4. PRODUCT IS RATED FOR ENVIRONMENTAL CONDITIONS OF 40-100°F IN ALL HUMIDITY RANGES.
5. NAILS SOLD SEPARATELY.



SCALE 1:2

TITLE		QUICK-BUILD SINGLE NAIL BASE FOR USE WITH HBN1-T, HBN2-T, HBN3-T; 25 PER PACKAGE (QB-SN1-Q, QB-SN2-Q, QB-SN3-Q)	
CUSTOMER DRAWING			
ITEM REVISION NAME	14L203AS/01	PANDUIT	
DATASET FILE NAME	14L203AS-DC		
UNLESS OTHERWISE SPECIFIED, DIMENSIONAL TOLERANCES ARE: IN [mm]		MATERIAL:	
.x ± .1 [2.54] .xxx ± .005 [.127]		SEE NOTES	
.xx ± .01 [.25] ANGLES ± 5 °		DRAWING NUMBER:	
THIRD ANGLE PROJECTION		14L203AS-DC	
DRAWN BY	DATE	CHK	SCALE
ANF	06-10-2015	DJW	1:1
REV	DATE	BY	CHK
00	6-10-15	ANF	DJW
APR	MSAD	DRAWING RELEASED	
ECN	GAECN03013		
DESCRIPTION	SHT 1 OF 1		
SIZE	A		

REV	DATE	BY	CHK	APR	DESCRIPTION	ECN
00	6-10-15	ANF	DJW	MSAD	DRAWING RELEASED	GAECN03013