

C. Westlake 10-15-92
 APPROVED BY/DATE
 REV 2

SAFETY ORGANIZATION(S)

THIS FILTER HAS BEEN FORMALLY RECOGNIZED, CERTIFIED OR APPROVED BY THE LISTED AGENCY. THEREFORE, ALL TEST/REQUIREMENTS SPECIFIED IN THE LATEST REVISION OF THE FOLLOWING AGENCY STANDARDS HAVE BEEN MET:

UL RECOGNIZED
 CSA CERTIFIED
 VDE APPROVED

UL 1283
 CSA 22.2, NO. 0.0.4, 8
 VDE 565-3

OPERATING SPECIFICATIONS:

LINE VOLTAGE/CURRENT:
 10 AMP., 120/250 VAC
 8 AMP/40°C, 250 VAC
 50-60Hz

LINE FREQUENCY:
 .30 mA @ 120V 60Hz
 .50 mA @ 250V 50Hz

MAX. LEAKAGE CURRENT, EACH
 LINE TO GROUND

OPERATING AMBIENT TEMP. RANGE:
 -10°C TO +40°C @ RATED CURRENT, I_r

IN AN AMBIENT, T_a , HIGHER THAN 40°C, THE MAXIMUM OPERATING CURRENT, I_o , IS AS FOLLOWS:

$$I_o = I_r \sqrt{\frac{85-T_a}{45}}$$

RELIABILITY SPECIFICATIONS:

STORAGE TEMPERATURE:
 -25°C TO +85°C

HUMIDITY:
 21 DAYS @ 40°C 95% RH

CURRENT OVERLOAD TEST:
 6 TIMES RATED CURRENT FOR 8 SECONDS

TEST SPECIFICATIONS:

INDUCTANCE:
 L 7.83 mH NOMINAL
 N 7.866 mH NOMINAL

CAPACITANCE, (MEASURED @ 1 KHz, 0.25 VAC MAX., 25°C ±1°C)

LINE TO GROUND:
 .004µF ±20%

LINE TO LINE:
 .74µF ±20%

DISCHARGE RESISTOR:
 330KΩ

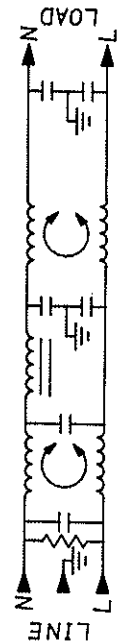
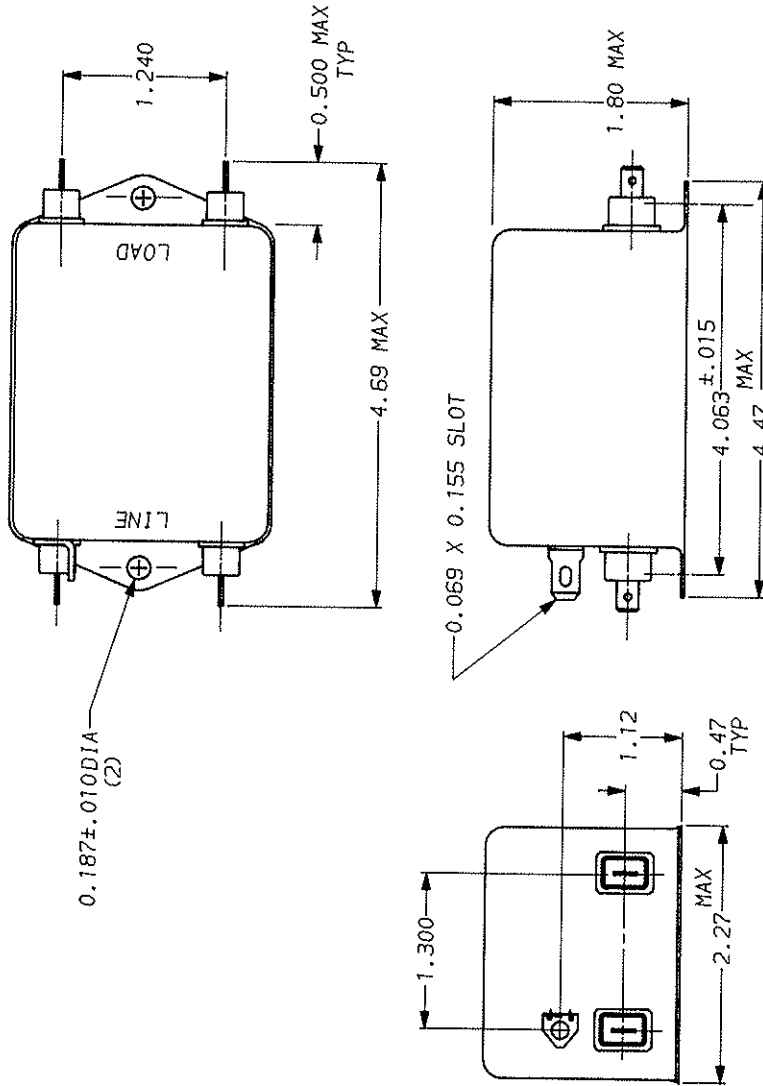
LINE/GROUND AND LINE/LINE
 INSULATION RESISTANCE
 (W/O DISCHARGE RESISTOR)
 5000 MΩ (MIN) AT 100 VDC
 20°C AND 50% RH

RECOMMENDED RECEIVING INSPECTION HIPOUT:

2250 VDC FOR 1 MINUTE
 1450 VDC FOR 1 MINUTE

FILTER APPROVAL:

THE BEST WAY TO SELECT AND QUALIFY A FILTER IS FOR YOUR ENGINEERING TO TEST THE UNIT IN YOUR EQUIPMENT.



50Ω - 50Ω (MINIMUM) INSERTION LOSS											
FREQUENCY MHz	.01	.05	.07	.1	.15	.5	1	5	10	20	30
COMMON dB	8	15	15	18	42	64	65	65	65	60	60
DIFF. dB	5	5	5	26	40	65	65	60	70	70	70

This document is proprietary to CORCOM INC. and is not to be reproduced nor used for manufacturing purposes except on CORCOM's order or prior written consent.

TOLERANCE EXCEPT AS NOTED
 DECIMAL: .XXX .XX .X ANGLES
 ENGLISH: ±.025 ± 1°
 METRIC: ±

MATERIAL: AS SUPPLIED

corcom
 LIBERTYVILLE, IL 60048

POWER LINE FILTER

SCALE: NTS 8-16-90
 DATE: 8-16-90
 REV: 10EG1.02
 DESIGNED BY: CFW
 CHECKED BY: CFW