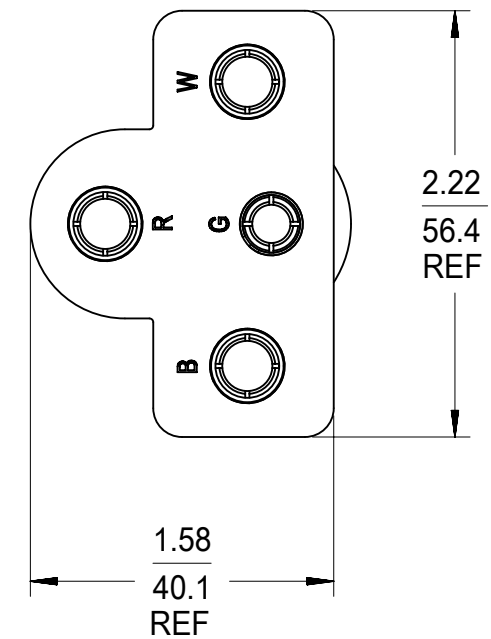
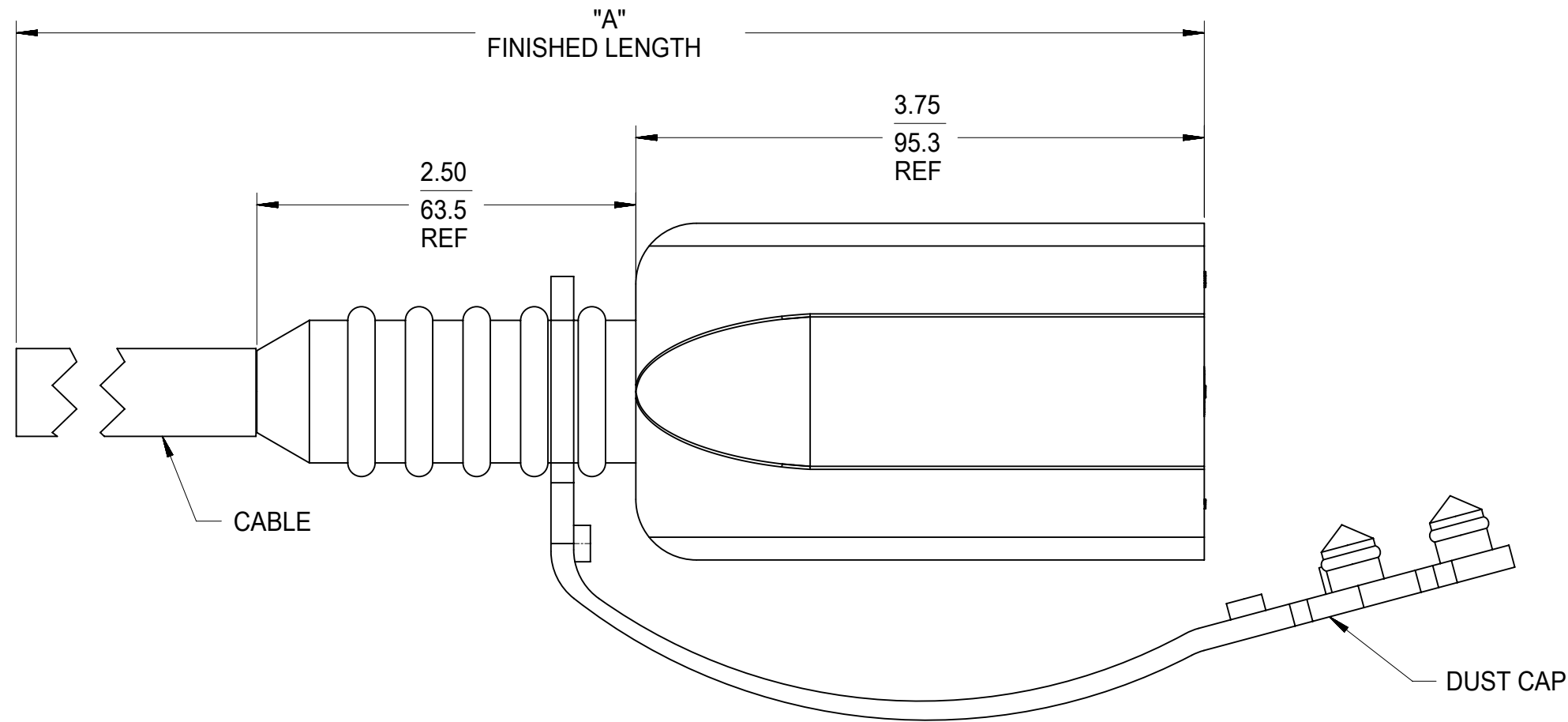
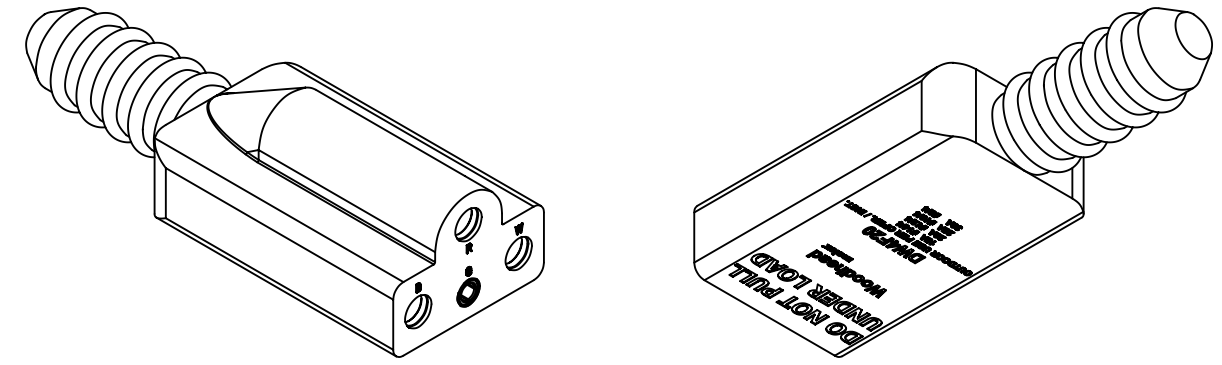


ASSEMBLY MATERIAL NUMBER	ENG. P/N	ASSEMBLY DESCRIPTION	"A" FINISHED LENGTH
1301500325	DW4F20	FEMALE OVERMOLD CABLE ASSEMBLY, #8/4	6 FT



- NOTES:
- 1) OVERMOLD MATERIAL: RUBBER (NEOPRENE OR CPE)
 - 2) TERMINALS: COPPER ALLOY
 - 3) CABLE JACKET MATERIAL: RUBBER (NEOPRENE OR CPE)
 - 4) CABLE IS MSHA LISTED.
 - 5) WARNING: DO NOT PULL UNDER LOAD.
 - 6) VOLTAGE RATING: 600 V MAX.
 - 7) CURRENT RATING:
 - 8AWG/4 CONDUCTOR - 30 AMPS
 - 10AWG/4 CONDUCTOR - 25 AMPS
 - 12AWG/4 CONDUCTOR - 20 AMPS
 - 14AWG/4 CONDUCTOR - 15 AMPS

THIS DRAWING CONTAINS INFORMATION THAT IS PROPRIETARY TO MOLEX ELECTRONIC TECHNOLOGIES, LLC AND SHOULD NOT BE USED WITHOUT WRITTEN PERMISSION																	
DIMENSION UNITS	SCALE	CURRENT REV DESC: MIGRATE TO NX. UPDATE NOTE 1 AND 3															
INCH	NTS	<p style="text-align: center;">molex</p> <p style="text-align: center;">FEMALE RECEPTACLE CABLE ASSEMBLY 15-30AMPS, #8 - #14AWG</p> <p style="text-align: center;">PRODUCT CUSTOMER DRAWING</p> <table border="1" style="width: 100%;"> <tr> <td>DOCUMENT NUMBER</td> <td>DOC TYPE</td> <td>DOC PART</td> <td>REVISION</td> </tr> <tr> <td>SD-130150-002</td> <td>PSD</td> <td>001</td> <td>B1</td> </tr> </table>								DOCUMENT NUMBER	DOC TYPE	DOC PART	REVISION	SD-130150-002	PSD	001	B1
DOCUMENT NUMBER	DOC TYPE									DOC PART	REVISION						
SD-130150-002	PSD									001	B1						
GENERAL TOLERANCES (UNLESS SPECIFIED)																	
ANGULAR TOL	± 2.0°																
4 PLACES	±																
3 PLACES	±																
2 PLACES	±																
1 PLACE	± 0.03																
0 PLACES	±																
INITIAL REVISION:		<table border="1" style="width: 100%;"> <tr> <td>DRWN: WLEUNG</td> <td>2013/11/07</td> </tr> <tr> <td>APPR: BWOODMAN</td> <td>2013/12/27</td> </tr> </table>								DRWN: WLEUNG	2013/11/07	APPR: BWOODMAN	2013/12/27				
DRWN: WLEUNG	2013/11/07																
APPR: BWOODMAN	2013/12/27																
DRAFT WHERE APPLICABLE MUST REMAIN WITHIN DIMENSIONS		THIRD ANGLE PROJECTION	DRAWING	SERIES	MATERIAL NUMBER	CUSTOMER		SHEET NUMBER									
			B-SIZE	130150	SEE CHART	GENERAL MARKET		1 OF 1									