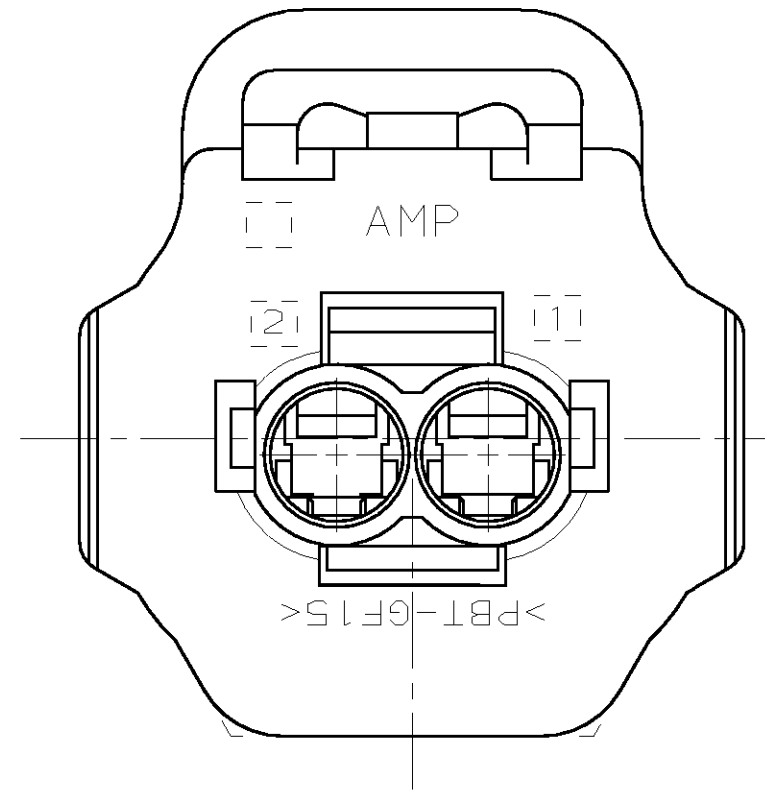
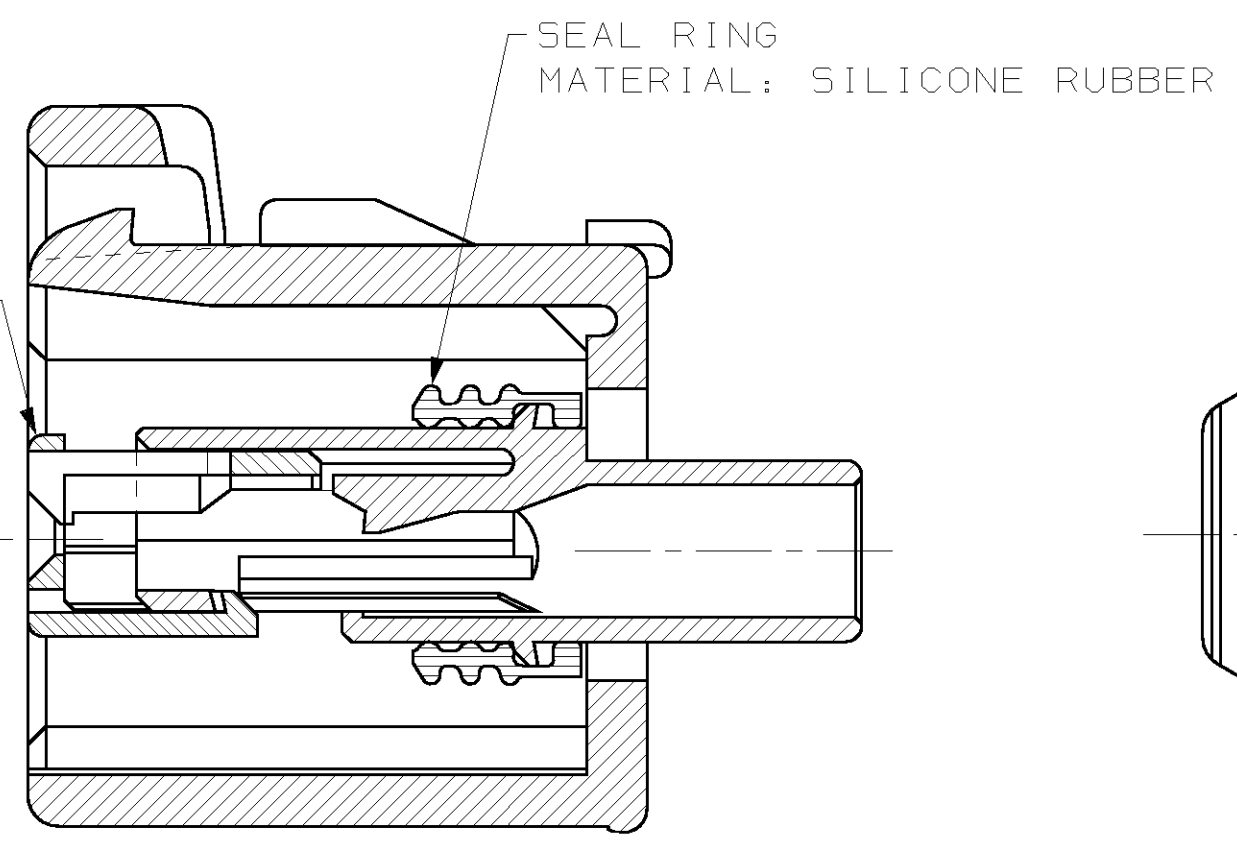
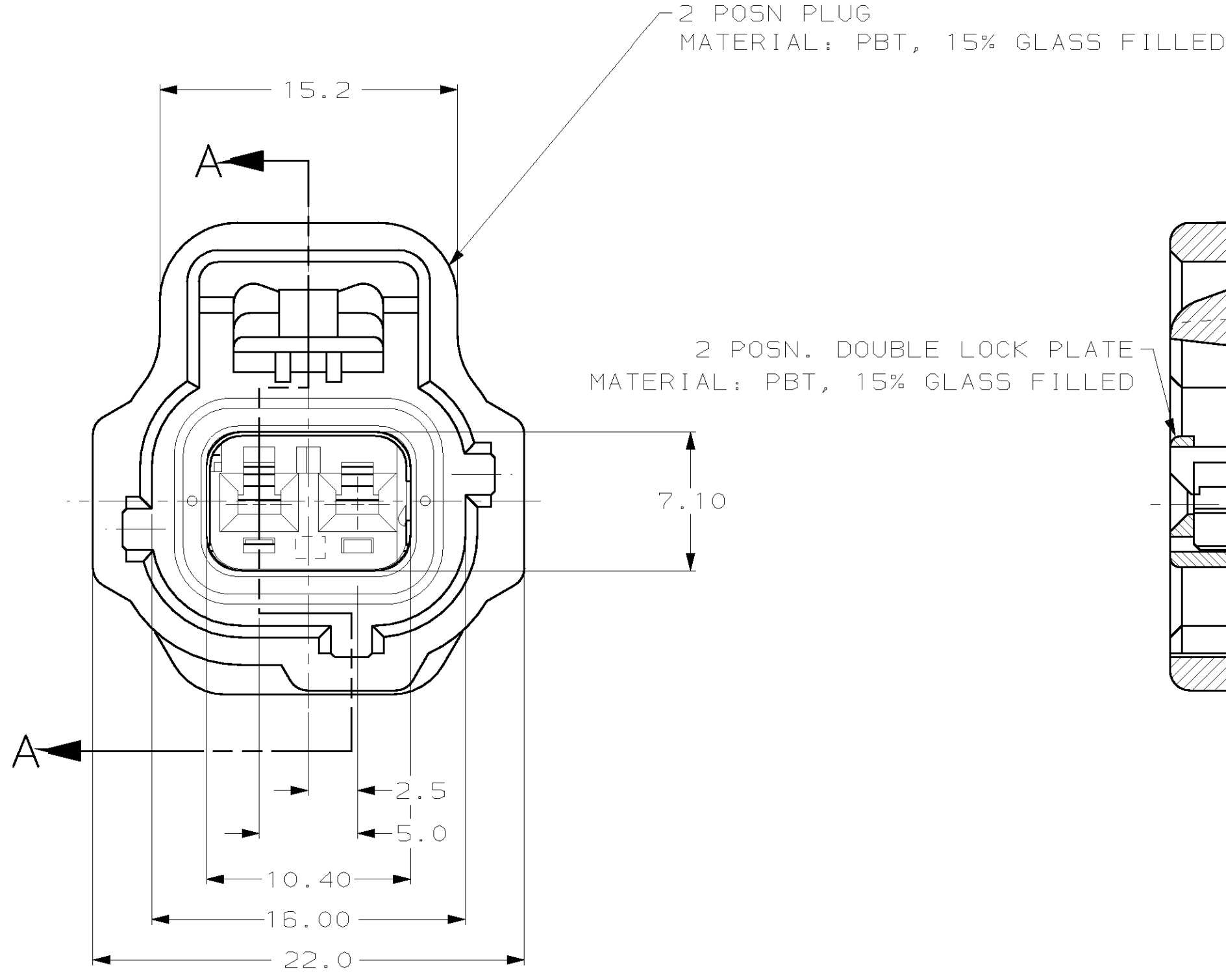
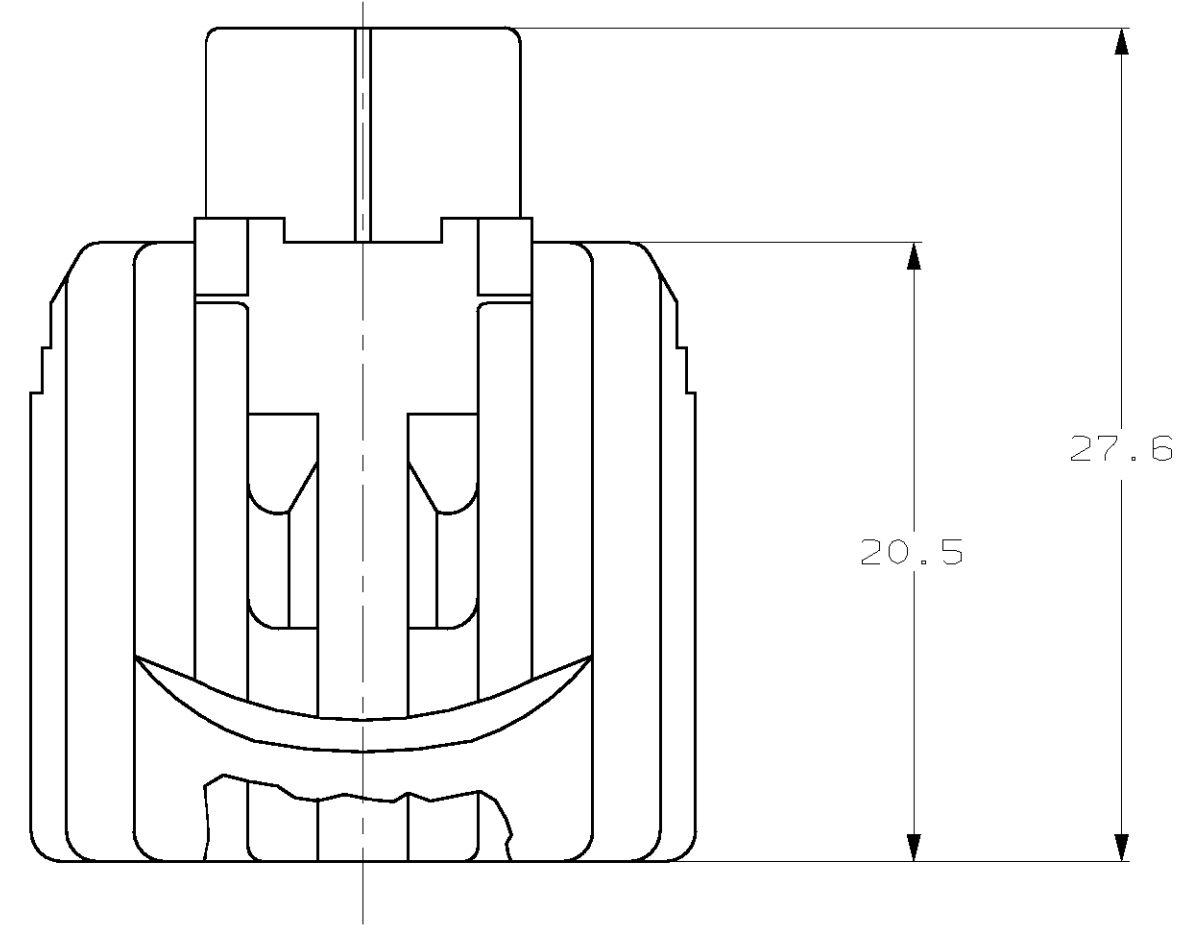


THIS DRAWING IS UNPUBLISHED. RELEASED FOR PUBLICATION .19
 BY AMP INCORPORATED. ALL RIGHTS RESERVED.

LOC G DIST 16

REVISIONS					
P	LTR	DESCRIPTION	DATE	DWN	APVD
0		RELEASED, WAS 92-4072-2313-6	-	-	-
A		REV PER ECN 0720-0290-94	10/14/94	KDL	JK
B		REV PER ECN 0720-0446-94	12/16/94	KW	JK
C		REV PER ECN 0K50-0003-96	08/13/96	KW	JK
D		REV PER EC# 0K40-0140-00	6-28-00	PC	GI



SECTION A-A

KEYING TYPE F

<small>THIS DRAWING IS A CONTROLLED DOCUMENT FOR AMP INCORPORATED. IT IS SUBJECT TO CHANGE AND THE CONTROLLING ENGINEERING ORGANIZATION SHOULD BE CONTACTED FOR THE LATEST REVISION.</small>		DWN	KD LYTLE	3/25/94
<small>DIMENSIONS:</small> mm		CHK	JP KUNKLE	4/19/94
<small>TOLERANCES UNLESS OTHERWISE SPECIFIED:</small> 0 PLC ±- 1 PLC ±0.30 2 PLC ±0.15 3 PLC ±- 4 PLC ±- ANGLES ±1° FINISH -		APVD	-	-
MATERIAL -		PRODUCT SPEC	-	
		APPLICATION SPEC	-	
		WEIGHT	-	
		CUSTOMER DRAWING	-	

BLACK	184010-1
PLUG COLOR	PART NO
AMP	AMP Incorporated Harrisburg, PA 17105-3608
1 X 2 PLG ASY KEY F-C3	
SIZE	CAGE CODE
A2	00779
DRAWING NO	C=184010
SCALE	SHEET
4:1	1 OF 1
REV	D