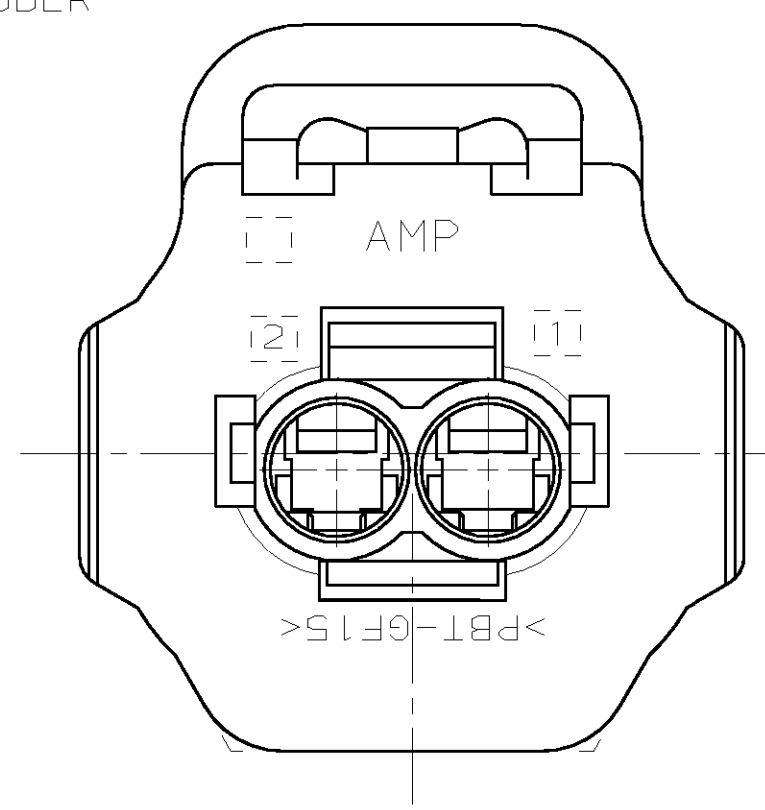
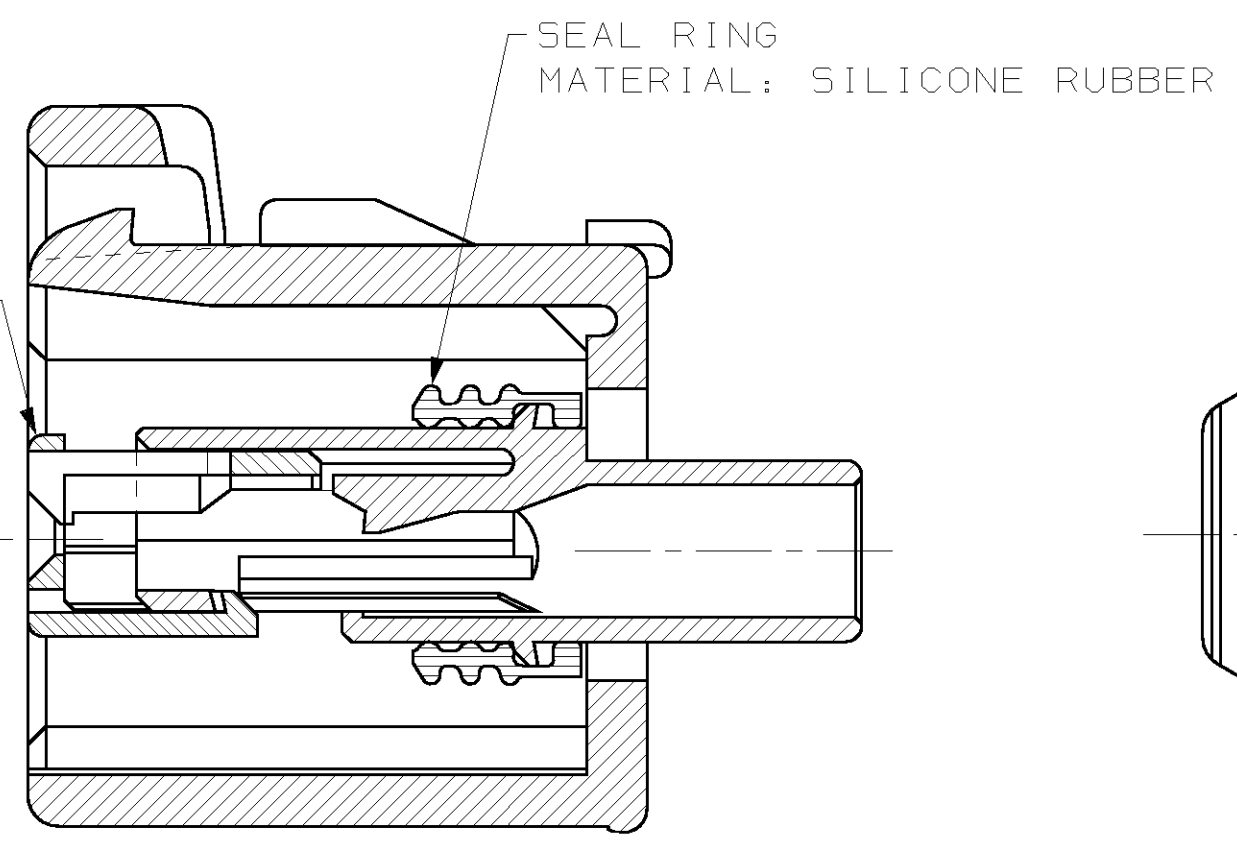
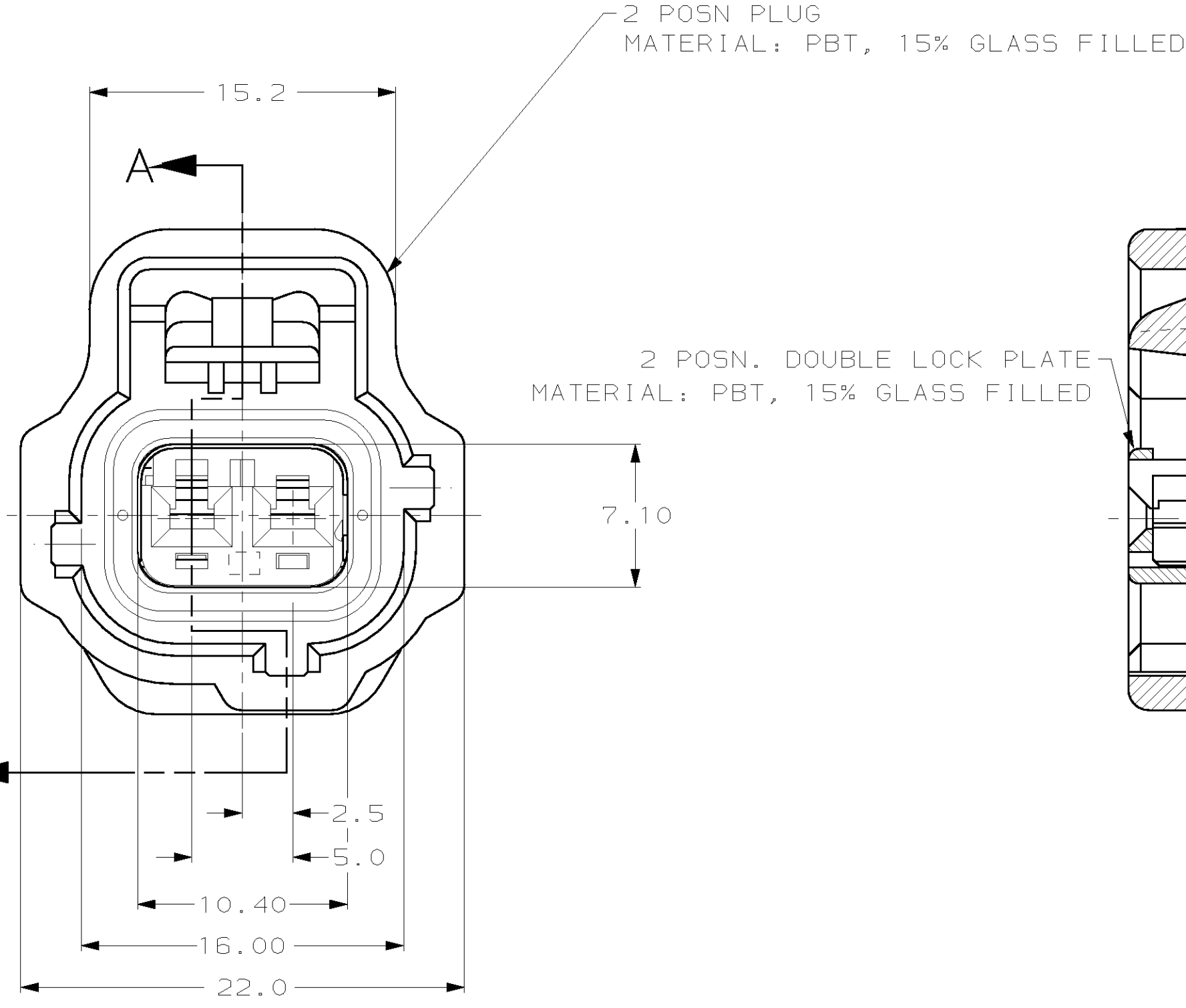
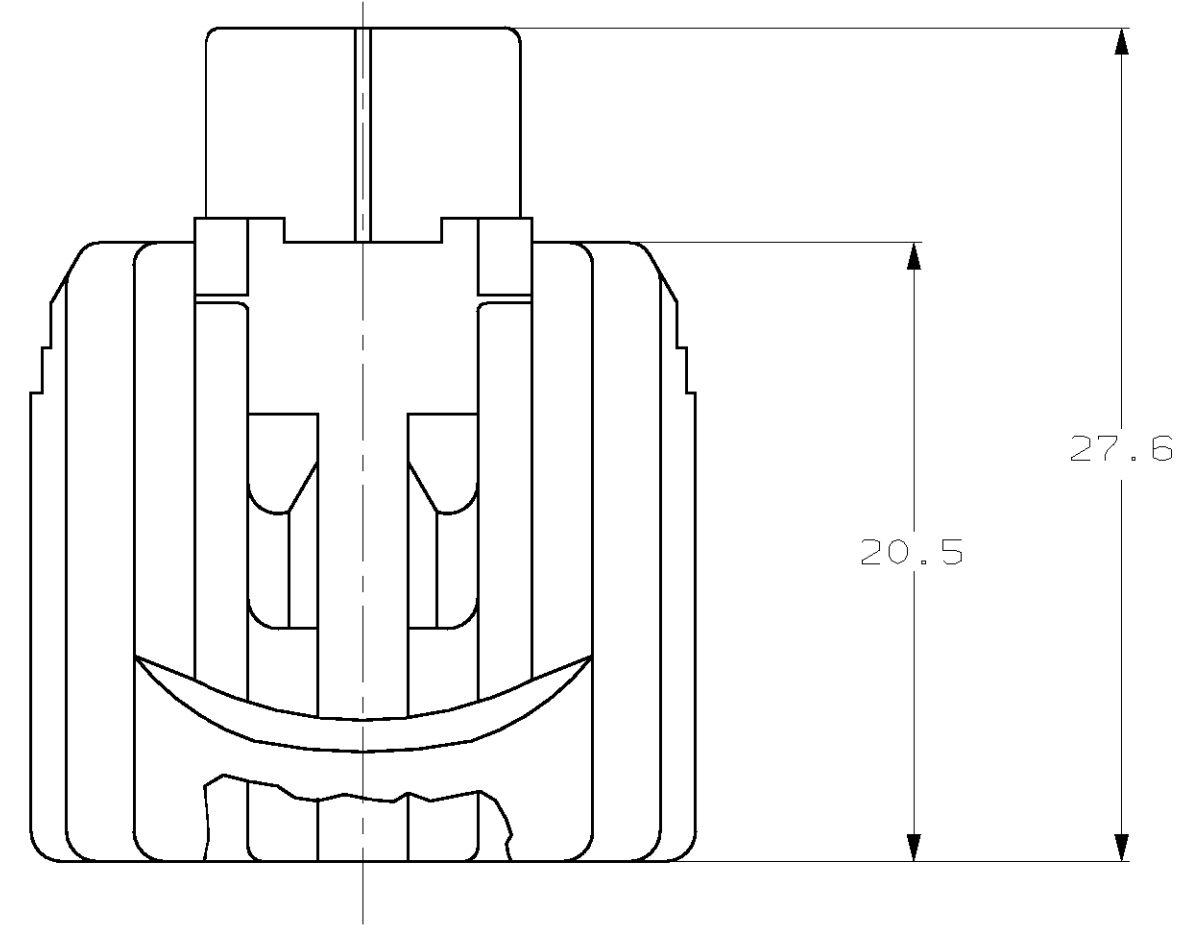


THIS DRAWING IS UNPUBLISHED. RELEASED FOR PUBLICATION .19
 BY AMP INCORPORATED. ALL RIGHTS RESERVED.

LOC DIST
 G 16

| REVISIONS | | | | | |
|-----------|-----|------------------------------|----------|-----|------|
| P | LTR | DESCRIPTION | DATE | DWN | APVD |
| 0 | | RELEASED, WAS 92-4072-2313-6 | - | - | - |
| A | | REV PER ECN 0720-0290-94 | 10/14/94 | KDL | JK |
| B | | REV PER ECN 0720-0446-94 | 12/16/94 | KW | JK |
| C | | REV PER ECN 0K50-0003-96 | 08/13/96 | KW | JK |
| D | | REV PER EC# 0K40-0140-00 | 6-28-00 | PC | GI |



SECTION A-A

KEYING TYPE F

| | | | |
|-------------|--|--|-------|
| DIMENSIONS: | | TOLERANCES UNLESS OTHERWISE SPECIFIED: | |
| mm | | 0 PLC | ± |
| | | 1 PLC | ±0.30 |
| | | 2 PLC | ±0.15 |
| | | 3 PLC | ± |
| | | 4 PLC | ± |
| | | ANGLES | ±1° |
| MATERIAL | | FINISH | |

| | | |
|------------------|-----------|---------|
| DWN | KD LYTLE | 3/25/94 |
| CHK | JP KUNKLE | 4/19/94 |
| APVD | | |
| PRODUCT SPEC | | |
| APPLICATION SPEC | | |
| WEIGHT | | |
| CUSTOMER DRAWING | | |

| | |
|--|-----------|
| BLACK | 184010-1 |
| PLUG COLOR | PART NO |
| AMP AMP Incorporated Harrisburg, PA 17105-3608 | |
| 1 X 2 PLG ASY KEY F-C3 | |
| SIZE | CAGE CODE |
| A2 | 00779 |
| DRAWING NO | C=184010 |
| SCALE | SHEET |
| 4:1 | 1 OF 1 |
| REV | D |