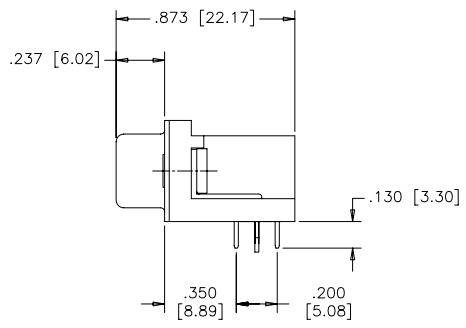
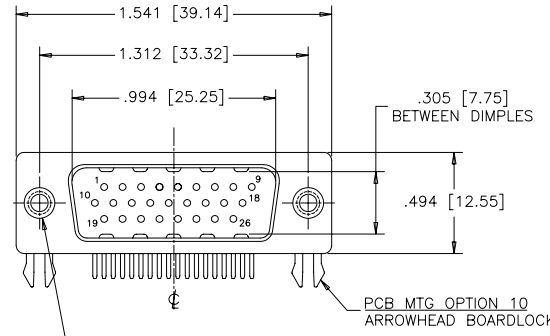
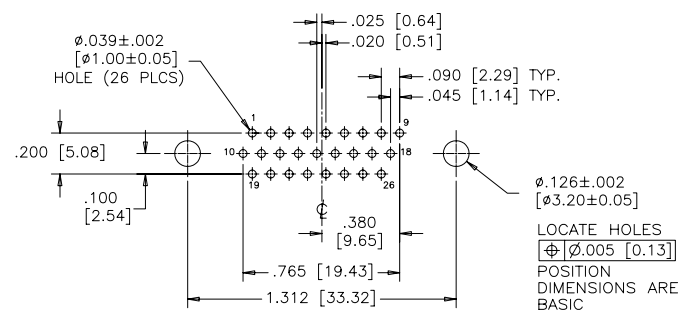
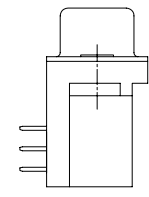
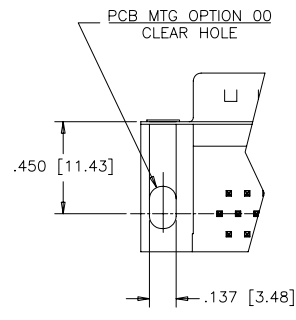
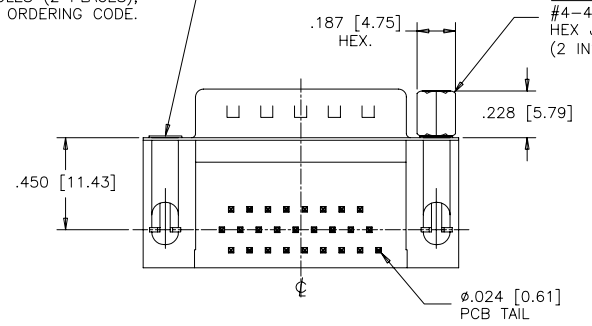


REVISIONS			
REV	ECN, ERN NO.	DATE	APPRD.
A	PRODUCT DRAWING (EAR 12992)	DEC12/06	K.L.



PANEL MTG OPTIONS 0 OR 1
 .120 [3.05] DIA. OR #4-40
 THROUGH HOLES (2 PLACES),
 SEE ORDERING CODE.

PANEL MTG OPTION 2
 #4-40 UNC THREADED
 HEX JACK SOCKET
 (2 INSTALLED)



RECOMMENDED P.C.B LAYOUT
 (COMPONENT SIDE OF BOARD)

LOCATE HOLES
 $\phi \pm 0.005$ [0.13]
 POSITION
 DIMENSIONS ARE
 BASIC

ORDERING CODE:

PART NUMBER: 1 7 E B H - 0 2 6 P A M - 2 1 0

SERIES
 NUMBER OF CONTACTS
 STYLE
 CONTACT PLATING OPTIONS
 FOR ENGAGEMENT AREA
 AA= 3μ" [0.08 MICRONS] GOLD FLASH
 CH= 15μ" [0.38 MICRONS] GOLD
 AM= 30μ" [0.76 MICRONS] GOLD

PCB MOUNTING OPTIONS
 00= CLEAR HOLE
 10= ARROWHEAD BOARDLOCK
 PANEL MOUNTING OPTIONS
 0= .120 [3.05] CLEAR HOLE
 1= #4-40 THREADED
 2= #4-40 UNC THREADED
 HEX JACK SOCKETS

SPECIFICATIONS:

MATERIALS: ALL MATERIALS ARE RoHS COMPLIANT.
 SHELLS: STEEL, TIN PLATED.
 INSERTS: HIGH TEMPERATURE RESISTANT NYLON, GLASS REINFORCED, UL FLAMMABILITY RATING 94V-0, COLOUR: BLACK.
 CONTACTS: COPPER ALLOY, GOLD PLATING (SEE ORDERING CODE) OVER 50μ" [1.27 MICRONS] NICKEL ON ENGAGEMENT AREA WITH 100μ" [2.54 MICRONS] MIN. MATTE TIN ON CONTACT TERMINALS.
 BOARDLOCK: COPPER ALLOY, TIN PLATED.

ELECTRICAL DATA:

CURRENT RATING: 3 AMP
 CONTACT RESISTANCE: 15 MILLIOHMS MAX.
 INSULATION RESISTANCE: 5000 MEGOHMS MIN.
 DIELECTRIC WITHSTANDING VOLTAGE: 1000 VAC rms
 OPERATING TEMPERATURE: -55°C TO +105°C

THIS DOCUMENT CONTAINS PROPRIETARY INFORMATION AND SUCH INFORMATION MAY NOT BE DISCLOSED TO OTHERS FOR ANY PURPOSE OR USED FOR MANUFACTURING PURPOSES WITHOUT WRITTEN PERMISSION FROM AMPHENOL CANADA CORP.

DRAWN	J.LEE	DATE	DEC12/06
DESIGNED			
CHECKED	K.LAMBIE	DATE	DEC12/06
I. E. APPRD.			
Q. A. APPRD.			
DWG. APPRD.			
ENG. REL. NO.			
REF.	EAR 12992		
DIMENSIONS ARE IN		CODE ID. NO.	
INCHES [mm]		03554	

Amphenol Canada Corp.
 TITLE: 17EBH SERIES HIGH DENSITY D-SUB CONNECTOR, 26 SIZE PIN, RIGHT ANGLE PCB CONTACTS, PLATING & MOUNTING OPTIONS, RoHS COMPLIANT

DWG	DRAWING NO.	REV.
C	P-17EBH-026PXX-XX0	A
SCALE	2/1	WT. _____
	SURF. _____	SHEET 1 OF 1