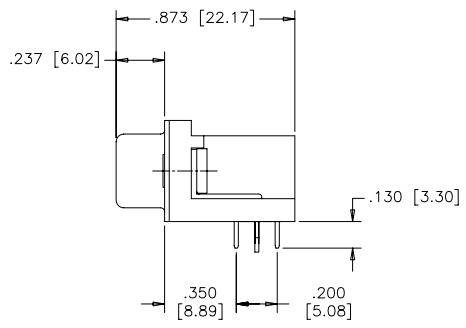
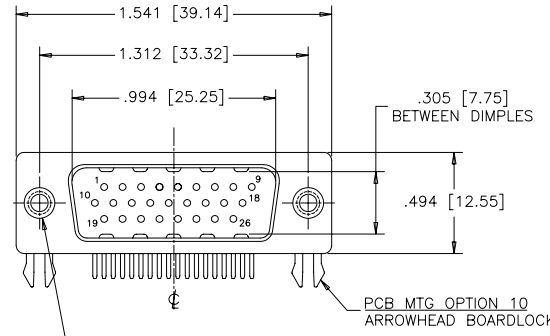
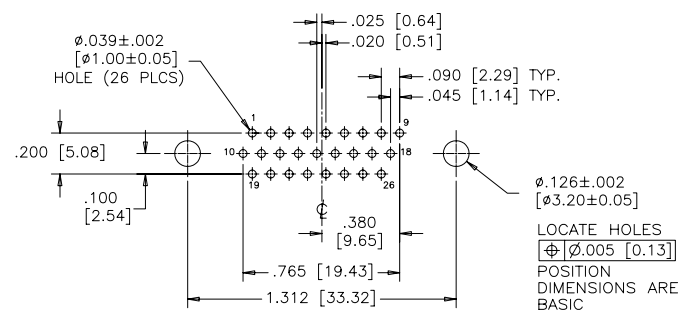
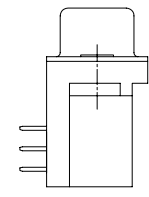
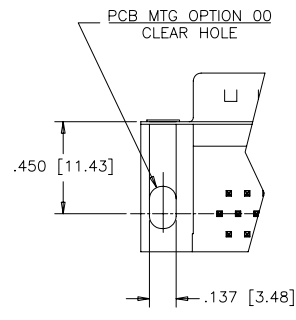
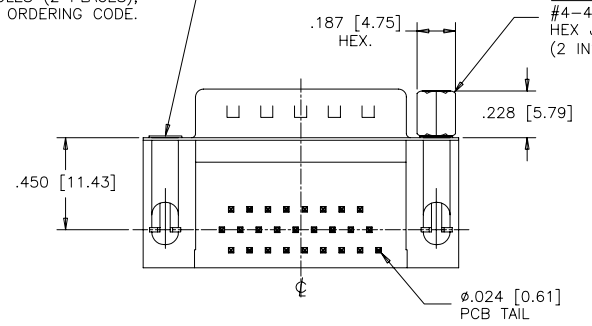


REVISIONS			
REV	ECN, ERN NO.	DATE	APPRD.
A	PRODUCT DRAWING (EAR 12992)	DEC12/06	K.L.



PANEL MTG OPTIONS 0 OR 1  
 .120 [3.05] DIA. OR #4-40  
 THROUGH HOLES (2 PLACES),  
 SEE ORDERING CODE.

PANEL MTG OPTION 2  
 #4-40 UNC THREADED  
 HEX JACK SOCKET  
 (2 INSTALLED)



RECOMMENDED P.C.B LAYOUT  
 (COMPONENT SIDE OF BOARD)

ORDERING CODE:

PART NUMBER: 1 7 E B H - 0 2 6 P A M - 2 1 0

SERIES —————  
 NUMBER OF CONTACTS —————  
 STYLE —————  
 P= PIN  
 CONTACT PLATING OPTIONS  
 FOR ENGAGEMENT AREA  
 AA= 3µ" [0.08 MICRONS] GOLD FLASH  
 CH= 15µ" [0.38 MICRONS] GOLD  
 AM= 30µ" [0.76 MICRONS] GOLD

PCB MOUNTING OPTIONS  
 00= CLEAR HOLE  
 10= ARROWHEAD BOARDLOCK

PANEL MOUNTING OPTIONS  
 0= .120 [3.05] CLEAR HOLE  
 1= #4-40 THREADED  
 2= #4-40 UNC THREADED  
 HEX JACK SOCKETS

SPECIFICATIONS:

MATERIALS: ALL MATERIALS ARE RoHS COMPLIANT.  
 SHELLS: STEEL, TIN PLATED.  
 INSERTS: HIGH TEMPERATURE RESISTANT NYLON, GLASS REINFORCED, UL FLAMMABILITY RATING 94V-0, COLOUR: BLACK.  
 CONTACTS: COPPER ALLOY, GOLD PLATING (SEE ORDERING CODE) OVER 50µ" [1.27 MICRONS] NICKEL ON ENGAGEMENT AREA WITH 100µ" [2.54 MICRONS] MIN. MATTE TIN ON CONTACT TERMINALS.  
 BOARDLOCK: COPPER ALLOY, TIN PLATED.

ELECTRICAL DATA:

CURRENT RATING: 3 AMP  
 CONTACT RESISTANCE: 15 MILLIOHMS MAX.  
 INSULATION RESISTANCE: 5000 MEGOHMS MIN.  
 DIELECTRIC WITHSTANDING VOLTAGE: 1000 VAC rms  
 OPERATING TEMPERATURE: -55°C TO +105°C

THIS DOCUMENT CONTAINS PROPRIETARY INFORMATION AND SUCH INFORMATION MAY NOT BE DISCLOSED TO OTHERS FOR ANY PURPOSE OR USED FOR MANUFACTURING PURPOSES WITHOUT WRITTEN PERMISSION FROM AMPHENOL CANADA CORP.

DRAWN	J.LEE	DATE	DEC12/06
DESIGNED			
CHECKED	K.LAMBIE	DATE	DEC12/06
I. E. APPRD.			
Q. A. APPRD.			
DWG. APPRD.			
ENG. REL. NO.			
REF.	EAR 12992		
DIMENSIONS ARE IN	CODE ID. NO.		
INCHES [mm]	03554		

**Amphenol Canada Corp.**

TITLE: 17EBH SERIES HIGH DENSITY D-SUB CONNECTOR, 26 SIZE PIN, RIGHT ANGLE PCB CONTACTS, PLATING & MOUNTING OPTIONS, RoHS COMPLIANT

DWG	DRAWING NO.	REV.
C	P-17EBH-026PXX-XX0	A
SCALE	2/1	WT. _____ SURF. _____ SHEET 1 OF 1