



40 GHz SMA-2.9 LATCHING S.P.D.T. SWITCH

OPTIONS : INDICATOR /SELF CUT-OFF

R F CHARACTERISTICS

FREQUENCY RANGE : 0 - 40 GHz
 IMPEDANCE : 50 Ohms

| FREQUENCY (GHz) | 0 - 6 | 6 -12.4 | 12.4- 18 | 18 -26.5 | 26.5- 40 |
|-----------------|---------|---------|----------|----------|----------|
| V.S.W.R <= | 1.30 | 1.40 | 1.50 | 1.70 | 1.90 |
| INSERT. LOSS <= | 0.30 dB | 0.40 dB | 0.50 dB | 0.70 dB | 0.80 dB |
| ISOLATION >= | 70 dB | 60 dB | 60 dB | 55 dB | 50 dB |
| AVER. POWER (*) | 80 W | 60 W | 50 W | 20 W | 10 W |

ELECTRICAL CHARACTERISTICS

ACTUATOR : LATCHING
 NOMINAL CURRENT AT 25° C (±10%) : 80 mA
 ACTUATOR VOLTAGE (Vcc) : 28V (24 to 30V) / POSITIVE COMMON
 TERMINALS : solder pins (250° C max./30 sec.)
 INDICATOR RATING : 1 W / 30 V / 100 mA
 SELF CUT-OFF TIME : 40 ms < CT < 120 ms

MECHANICAL CHARACTERISTICS

CONNECTORS : SMA 2.9fem. per MIL C 39012
 LIFE : 10.000.000 cycles
 SWITCHING TIME (nominal voltage;25° C) : < 10 ms
 CONSTRUCTION : splashproof
 WEIGHT : < 45 g

ENVIRONMENTAL CHARACTERISTICS

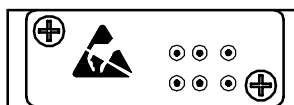
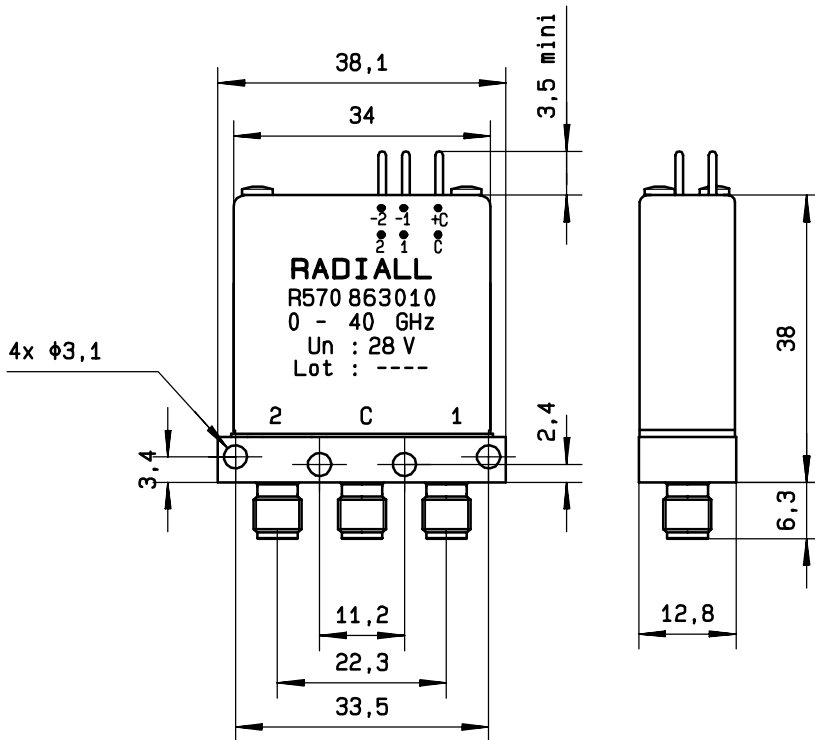
OPERATING TEMPERATURE RANGE (°C) : -40 , +85
 STORAGE TEMPERATURE RANGE (°C) : -55 , +85

(* : average power at 25° C)

This information is given as an indication. In the continual goal to improve our products, we reserve the right to make any modifications judged necessary

4112-9212

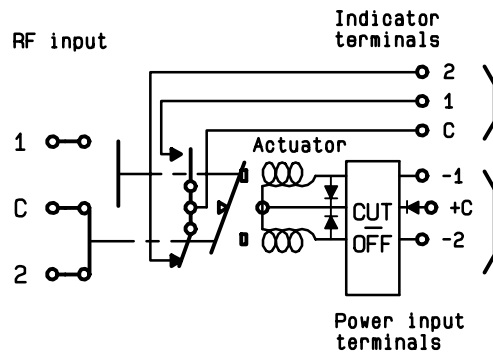
DRAWING



General tolerance: $\pm 0,5$ mm

SCHEMATIC DIAGRAM

| Voltage | RF continuity | Indicator |
|---------|-----------------------|-----------|
| + C - 1 | C \leftrightarrow 1 | C . 1 |
| + C - 2 | C \leftrightarrow 2 | C . 2 |



4113-9212 This information is given as an indication. In the continual goal to improve our products, we reserve the right to make any modifications judged necessary