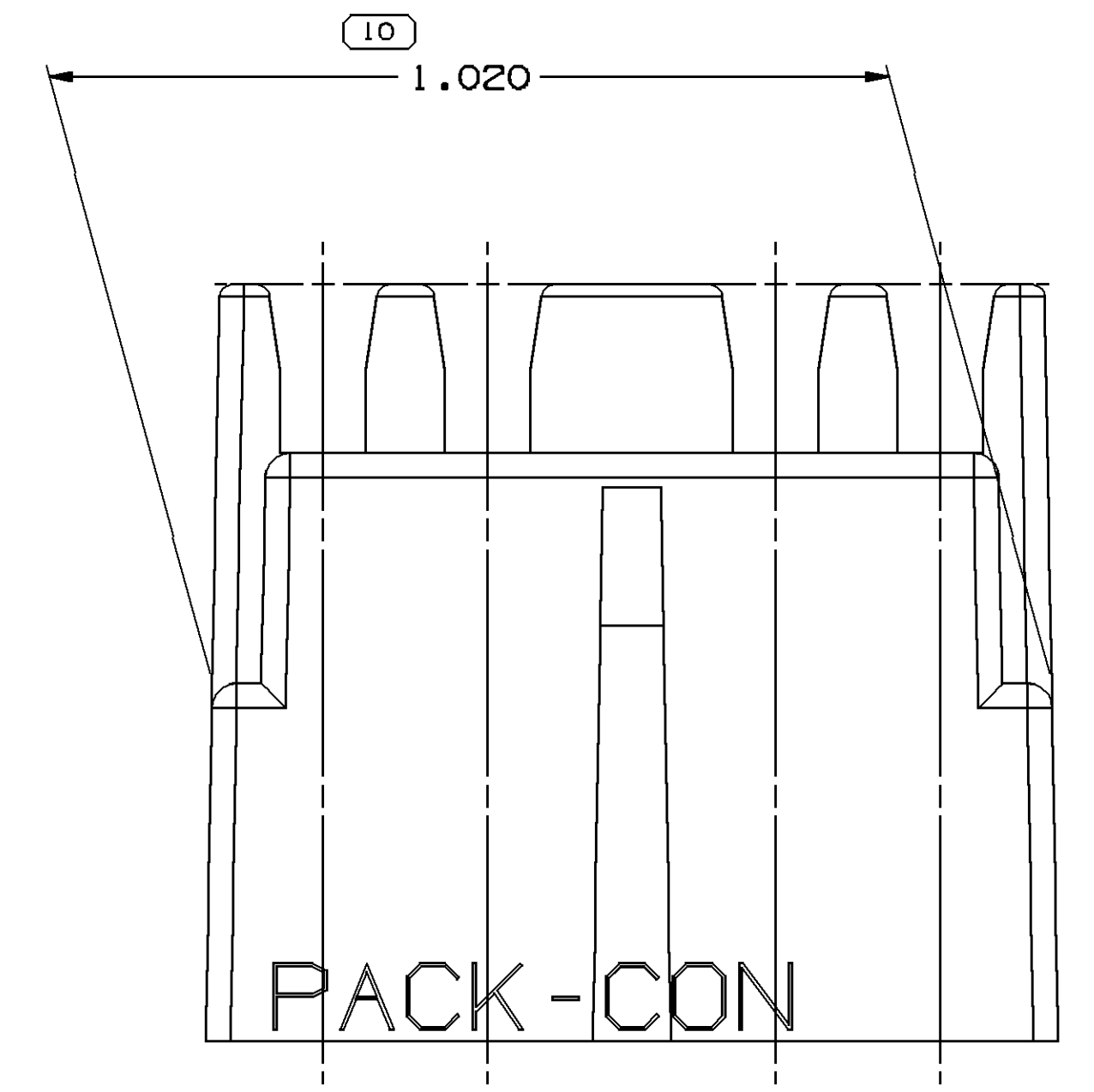
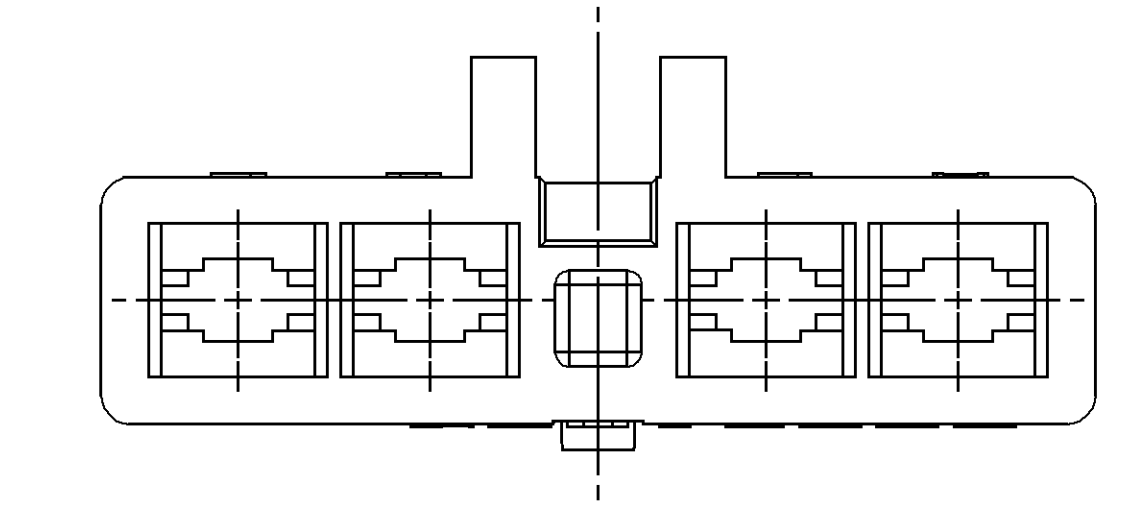
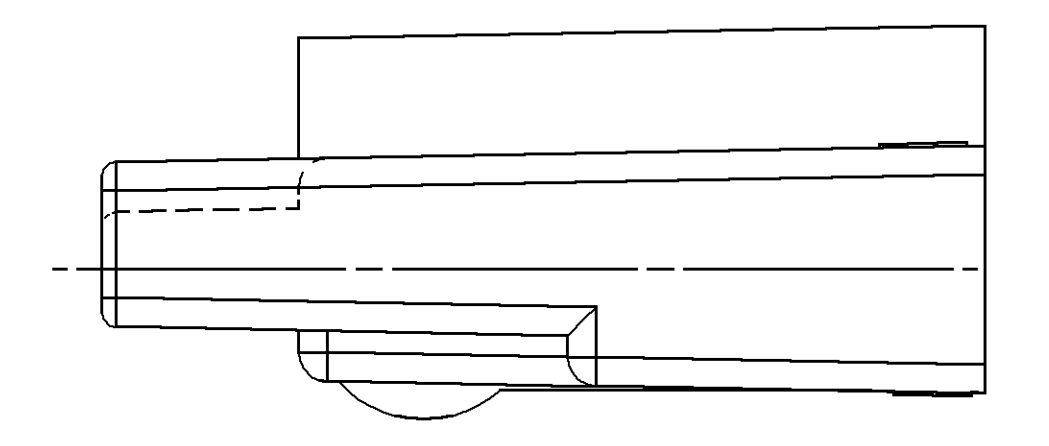
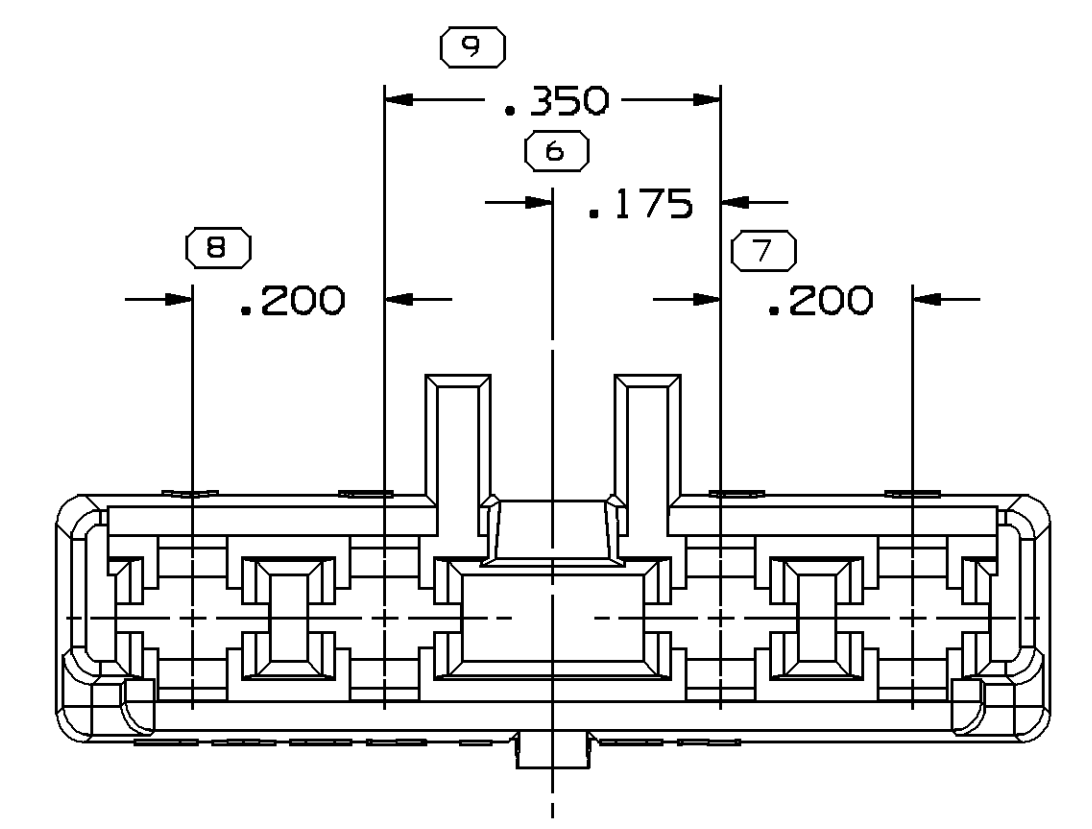
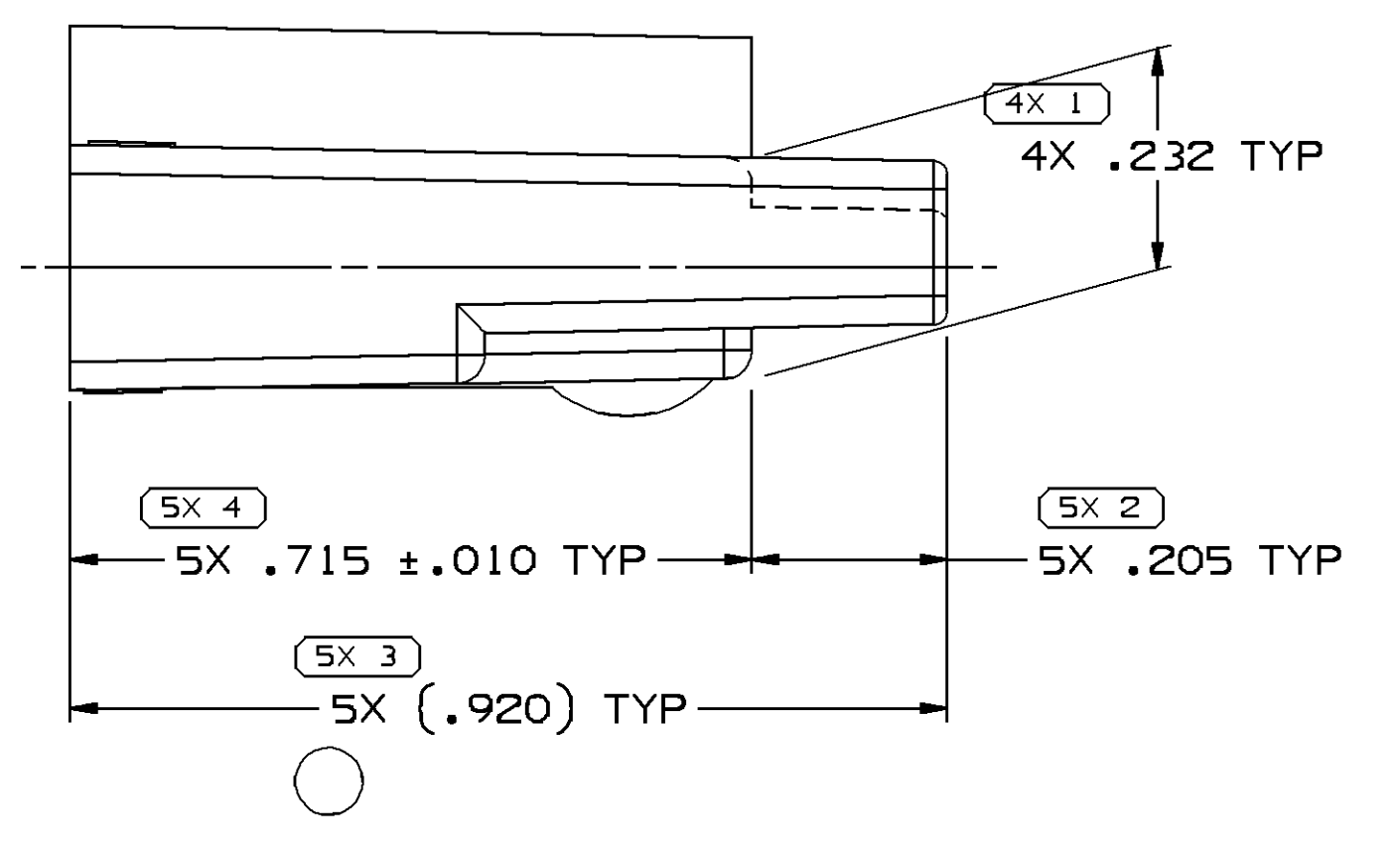
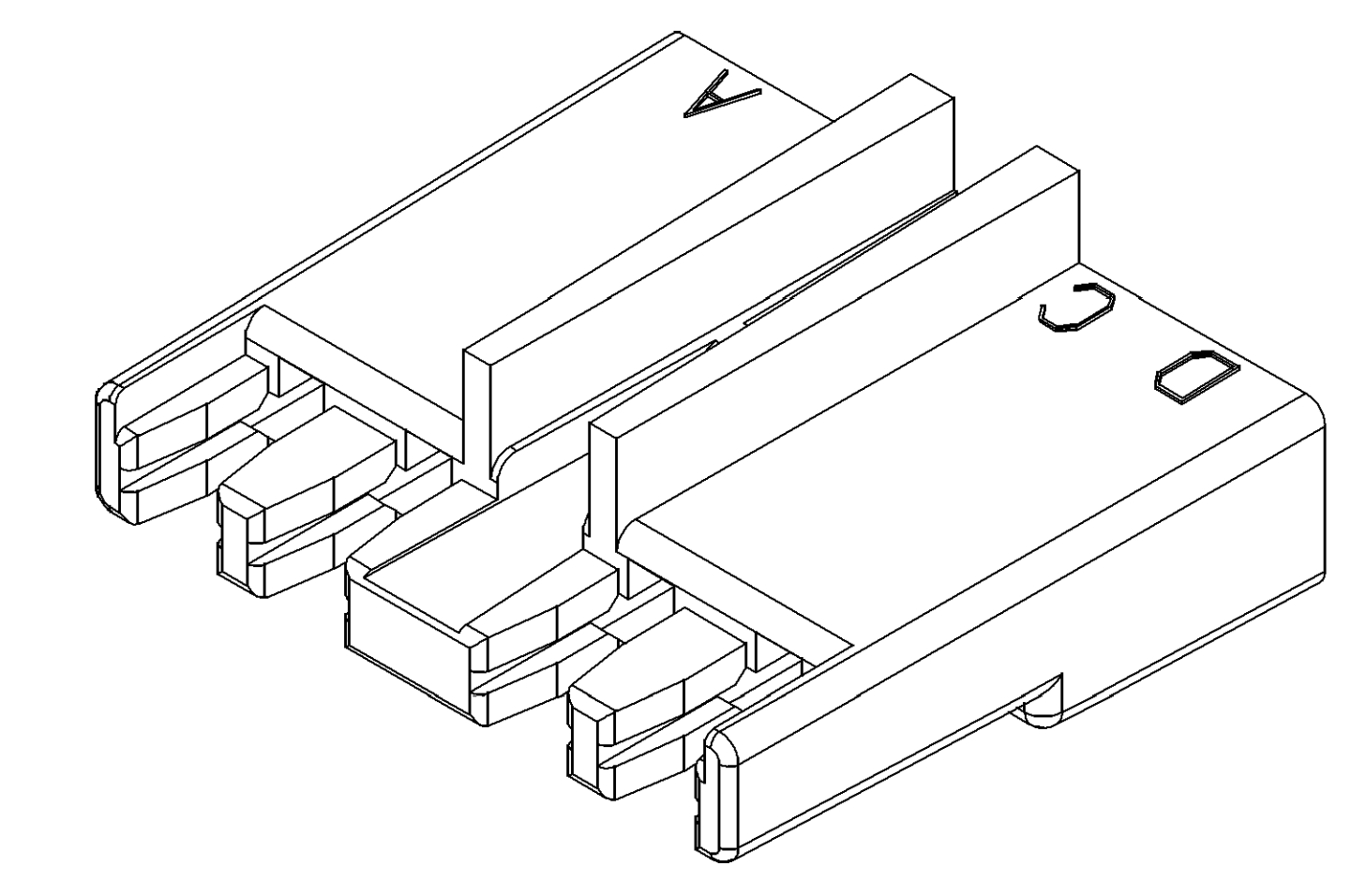
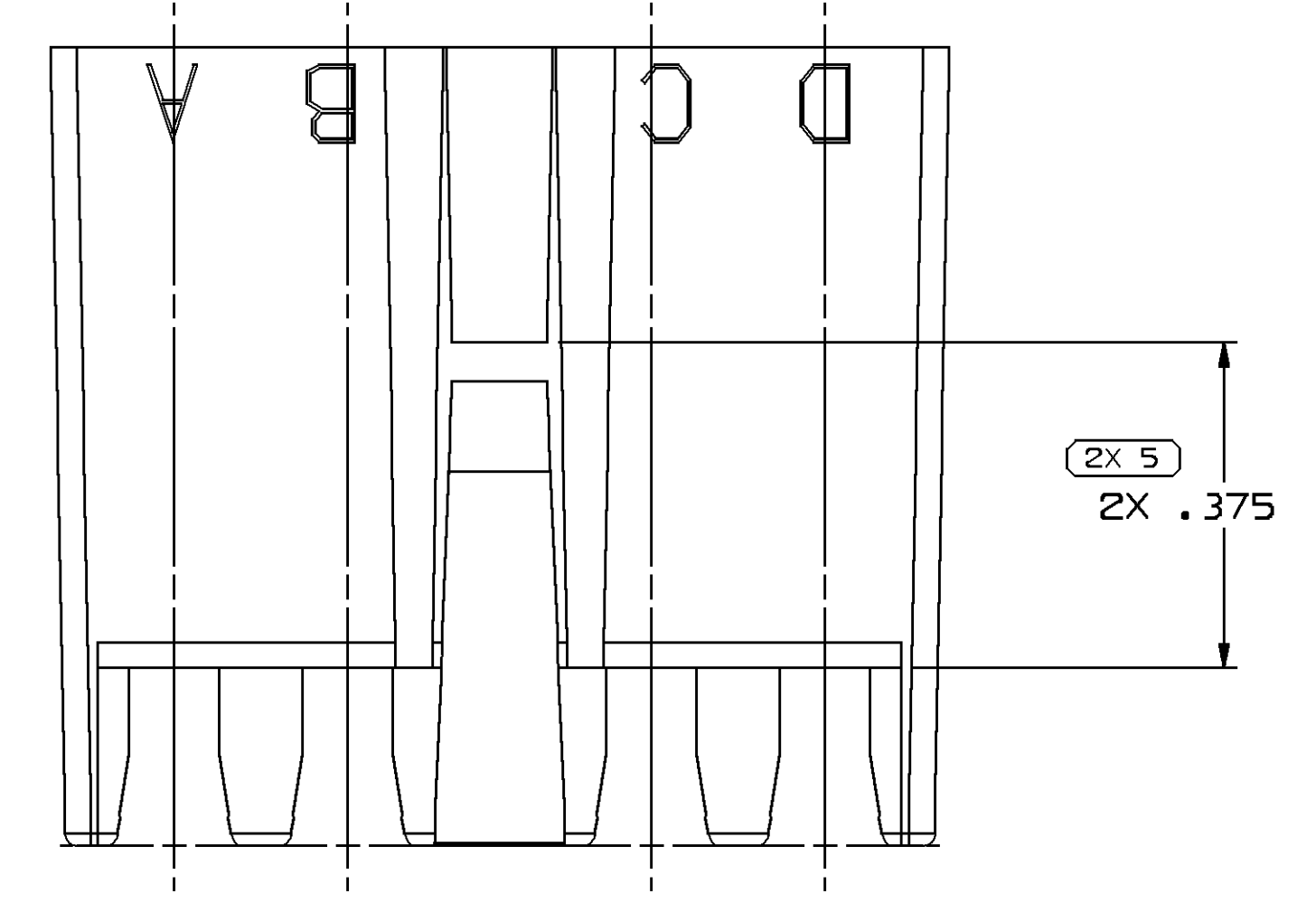


SYMBOL DEFINITION		TOTAL NO OF INSPECTIONS REQUIRED	MISSING SYMBOLS
A DIMENSION WITHOUT AN INSPECTION REPORT SYMBOL DOES NOT REQUIRE INSPECTION. IT MAY BE CONTROLLED ON THE INDIVIDUAL COMPONENT DRAWING.		26	NO MISSING SYMBOL NUMBER
		LAST NO. USED	10

DWG STATUS				REVISION HISTORY				AUTH	DR	AP/VD	AP/VD
DATE	STG	REV	N/P	CHG	ZONE						
12FE09	R	A3	-	-				407344	JRL	DGL	DGL



NOTES

- UNLESS OTHERWISE SPECIFIED AND/OR INDICATED:
DIMENSIONS ARE TO FACE OF VIEW SHOWN AND AUTOMATICALLY ROUNDED BY COMPUTER FOR INSPECTION (SEE MATH MODEL FOR PRECISE DIMENSIONS). FOR ALL OTHER DIMENSIONS NOT SHOWN BUT REQUIRED FOR TOOL BUILD, SEE MATH MODEL FOR PRECISE TOOL PATH DATA.
- MATERIAL RECYCLING CODE PER ISO 11469. (1.900)X(1.004) CHARACTERS AS SHOWN TO BE LOCATED ON ANY EXTERIOR SURFACE. OPTIONAL CONSTRUCTION TO BE NO MATERIAL RECYCLING CODE.
- THIS PRODUCT IS NOT CATEGORIZED AS AN APPEARANCE ITEM, MINOR IMPERFECTIONS INCLUDING, BUT NOT LIMITED TO, FLOW MARKS, COLOR BLEMISHES, GATE VESTIGE, AND SOFT FLASH THAT DO NOT AFFECT THE FIT, FORM, OR FUNCTION OF THE PART ARE PERMISSIBLE PER NAP 4.10-18.
- (1.900)X(1.004) DELPHI CORPORATE BRAND TO BE LOCATED ON ANY EXTERIOR SURFACE, PREFERABLY VISIBLE AT FINAL ASSEMBLY. OPTIONAL CONSTRUCTION FOR EXISTING TOOLING MAY BE "PED" OR NO LOGO.
- FOR APPLICATION DATA SEE THE APPLICATION DRAWING.

DWG TYPE		PART DRAWING	
STYLE		DISTR CODE	D
VOLUME 10/1	2,094		
UNLESS OTHERWISE SPECIFIED			
THIS DOCUMENT IS IN ACCORDANCE WITH ASME Y14.5M-1994 AS MODIFIED BY THE IN-SOURCE DIMENSIONING AND TOLERANCING ADDENDUM-2001. SEPARATE WRITINGS OF FEATURES MAY BE BASED SEPARATELY PER RULES OF DIMENSIONING REFERENCES.			
ALL DIMENSIONS ARE IN INCHES			
REFERENCE			
(N/A) PROCESS SENSITIVE DIMENSION			
DIMENSIONS ENCLOSED IN () INDICATE REFERENCE DIMENSIONS AND NO TOLERANCE LIMITS ARE ESTABLISHED			
DIMENSIONAL RANGE (IN)	CHART	H	
FROM 0	>.750	>1.250	>2.750
TO	.750	1.250	2.750
TOLERANCE UNLESS OTHERWISE SPECIFIED			
±.005	±.003	±.002	±.001
ANGULAR TOLERANCE ±.2°			
THIRD ANGLE PROJECTION	DO NOT SCALE	USE MATH DATA	NX

DELPHI
DELPHI PACKARD ELECTRICAL/ELECTRONIC ARCHITECTURE
WVREN, OH

DR	DATE
APV01 E. J. TOLNAR	27NOV99
APV02 HUBBARD	28NOV99
APV03 JEFF REEVES	08DEC99
APV04	
APV05	

SUBSTANCES OF CONCERN AND RECYCLED CONTENT PER DELPHI 10949001

MATERIAL: POLYAMIDE COMPOUND BLACK

DRAWING NAME: CONN 4 M PAC/ON I

DRAWING NUMBER: 08905220

SIZE	SCALE	FRAME NO	SHEET NO	STG	REV	N/P
A0	5:1	1	1	1	R	A3