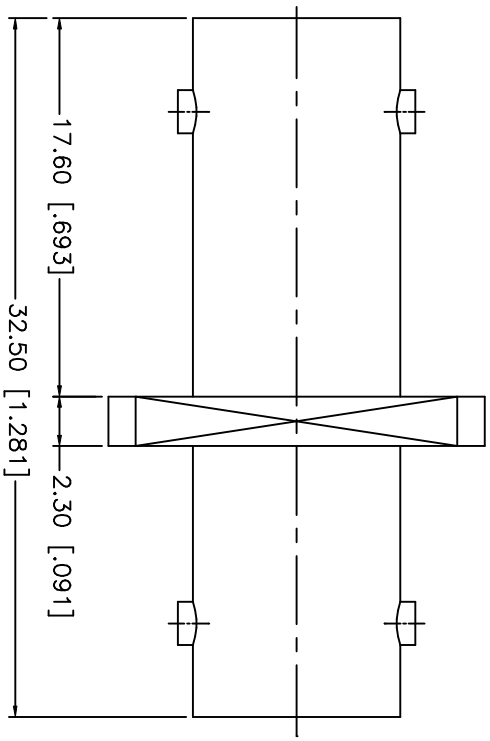
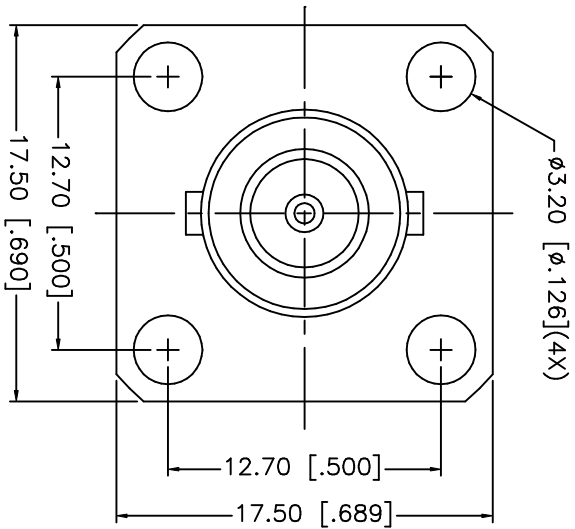


REV.	DATE	DESCRIPTION
NC	09/10/02	INITIAL RELEASE



8																			
7																			
6																			
5																			
4	RING	BRASS	NICKEL																
3	CONTACT PIN	PHOS. BRONZE	GOLD																
2	INSULATOR	TEFLON	NATURAL																
1	HOUSING	BRASS	NICKEL																
	DESCRIPTION	MATERIAL	FINISH																
				UNLESS OTHERWISE SPECIFIED DIMENSIONS ARE IN MILLIMETERS				APPROVALS				DATE		TITLE					
				DIMENSIONS IN [] ARE IN INCHES FOR CUSTOMER REFERENCE ONLY				DRAWN G.R.S.				09/10/02		BNC FEMALE TO FEMALE PANEL ADAPTOR					
				UNLESS OTHERWISE SPECIFIED TOLERANCES FOR INCHES ARE: .XXX = ± 0.005" .XX = ± 0.010" .X = ± 0.020"				CHECKED						CONNECTION CORPORATION					
				DO NOT SCALE DRAWING				ISSUED						REV. NC					
								SCALE				NA		PART NO. 112712					
								SIZE				A		DMG. NO. 112712.DWG					
														SHEET 1 OF 1					