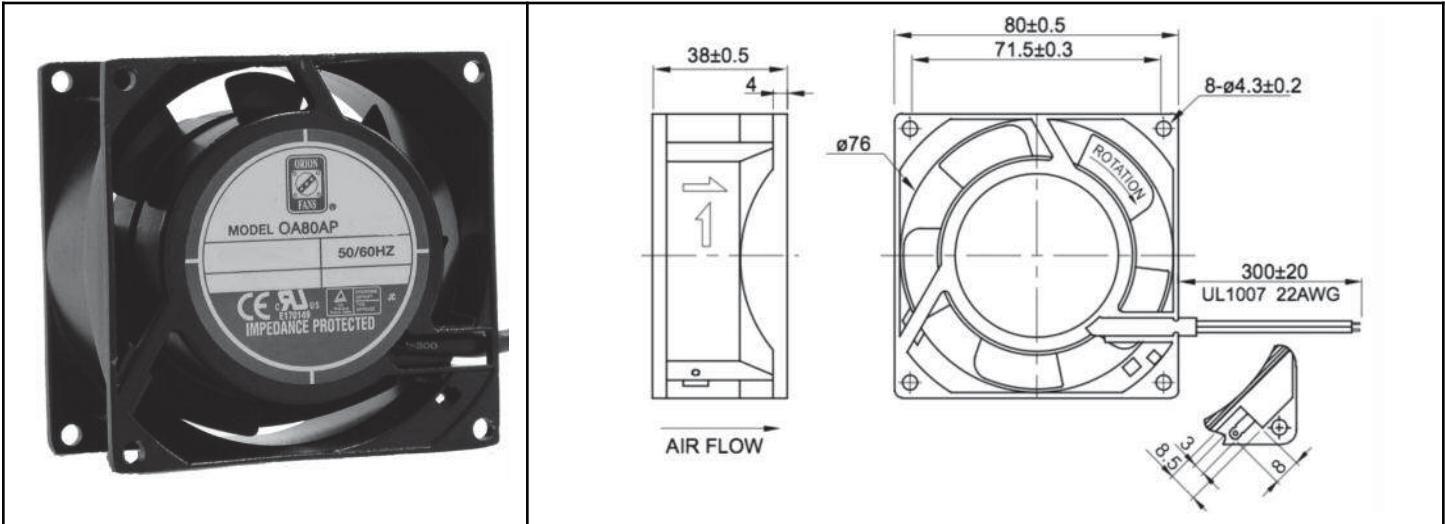


OA80 Series



AC Fan - 115V, 230V
80 x 38mm (3.15" x 1.5")



Frame	Diecast Aluminum	<p><u>Operating Temperature</u> Ball Bearing -20C ~ +80C Sleeve Bearing -10C ~ +50C Storage Temp -40C ~ +80C</p> <p><u>Life Expectancy</u> Ball Bearing 60,000 hours (L10 at 40C) Sleeve Bearing 30,000 hours (L10 at 40C)</p> <p>Weight: ~ 0.62 lbs</p>	
Impeller	PBT, UL94V-0 plastic		
Connection	2x Lead Wires 22 AWG or terminals		
Motor	Shaded pole, impedance protected		
Bearing System	Dual ball or Sleeve		
Insulation Resistance	>100M ohm between lead-wire and frame (500VDC)		
Dielectric Strength	1 min at 1,500 VAC, 50/60Hz		

Model Number	Speed (RPM)	Airflow (CFM)	Noise (dB)	Volts AC	Voltage Range	Watts	Max. Static Pressure (\"H ₂ O)
OA80AP-11-1 *	3,000	30	36	115	103~126	9	0.22
OA80AP-11-2 *	2,300	25	32	115	103~126	9	0.16
OA80AP-11-3 *	1,950	17	28	115	103~126	9	0.07
OA80AP-22-1 *	3,000	30	36	230	160~253	12	0.22
OA80AP-22-2 *	2,300	25	32	230	160~253	12	0.16
OA80AP-22-3 *	1,950	17	28	230	160~253	12	0.07

* Indicate "TB" (Terminal Ball Bearing), "WB" (12" Wire Leads, Ball Bearing), "TS" (Terminal, Sleeve Bearing), "WS" (12" Wire Leads, Sleeve Bearing)