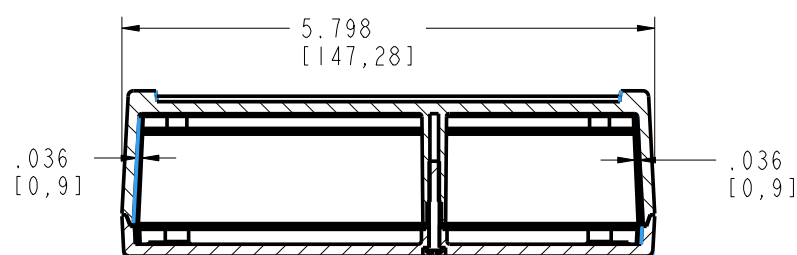
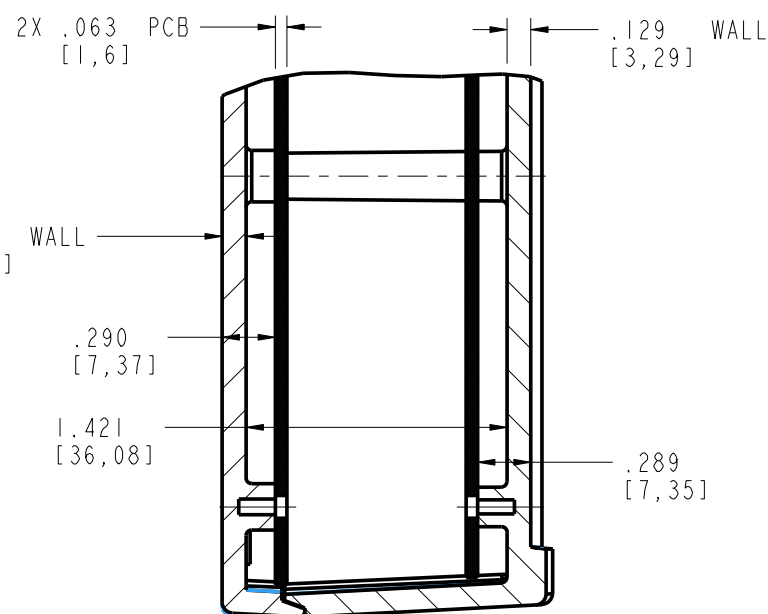
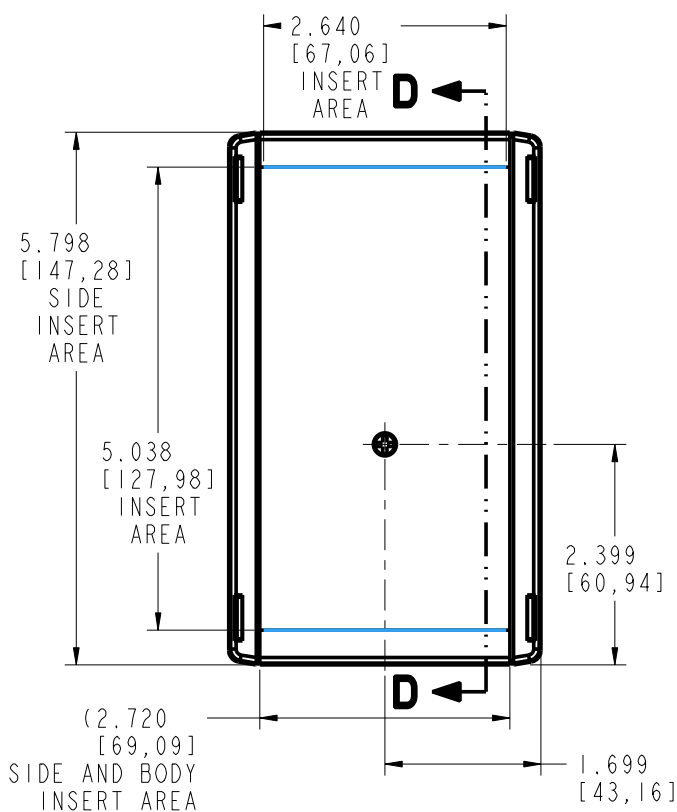


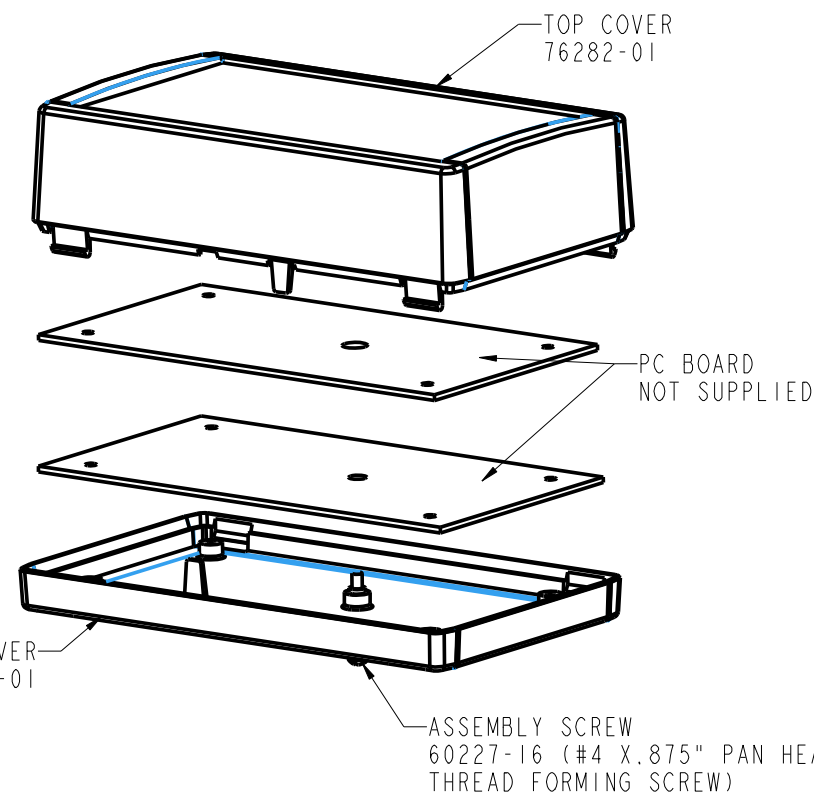
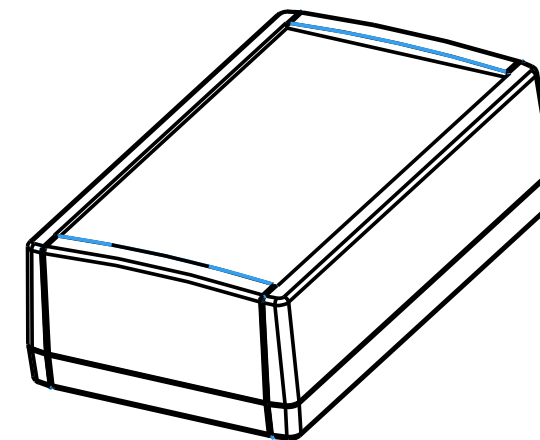
SECTION A-A



SECTION B-B
ROTATED 90° CCW



SECTION D-D
SCALE 2.000



NOTES:

- USE #2 TYPE "B" THREAD FORMING PHILLIPS PAN HEAD SCREWS FOR THE TOP COVER.
USE #4 TYPE "B" THREAD FORMING PHILLIPS PAN HEAD SCREWS FOR THE BOTTOM COVER.

PACNTEC[®]
1-610-361-4231

PS36-200

VISIT **PACNTEC**[®]
ON THE WORLD WIDE WEB
www.pactecenclosures.com

INSERT AREAS ARE SECTIONS IN OUR TOOLS
THAT CAN BE REMOVED AND REPLACED WITH
CUSTOMER SPECIFIC DETAILS

DRAWING NUMBER	REV
77268	F