

RED INDICATES ORIGINAL

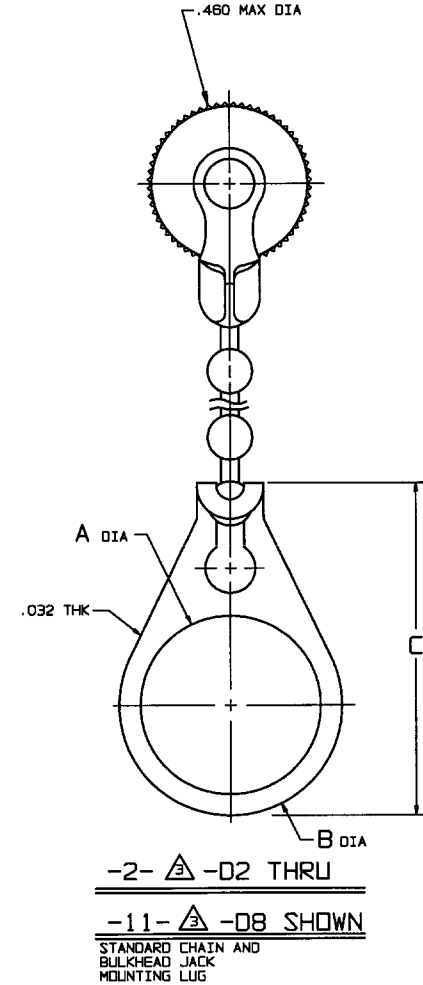
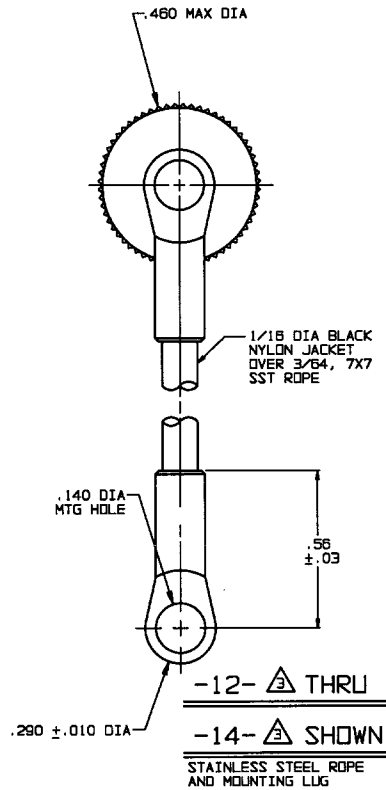
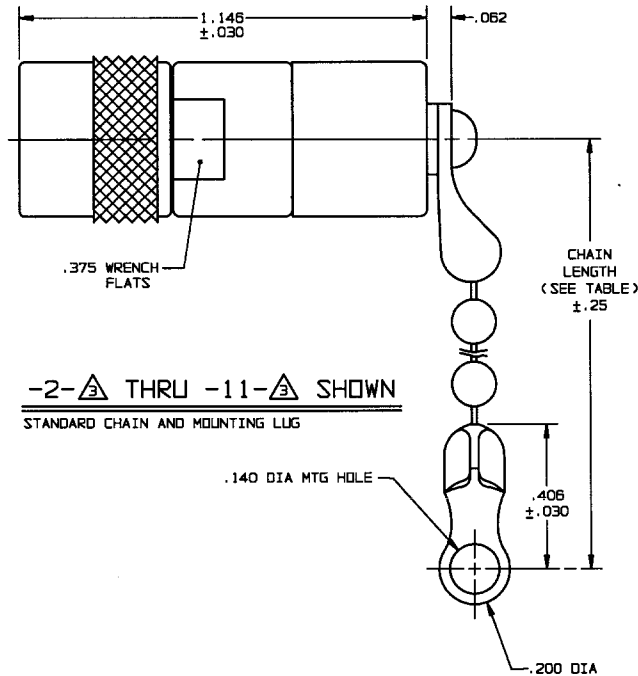
TABLE 1	
DASH NO	DESCRIPTION
-1	TERM (NO CHAIN)
-2	TERM WITH 2.5 BRASS CHAIN
-3	TERM WITH 2.5 NYLON CHAIN
-4	TERM WITH 3.0 BRASS CHAIN
-5	TERM WITH 3.0 NYLON CHAIN
-6	TERM WITH 6.0 BRASS CHAIN
-7	TERM WITH 6.0 NYLON CHAIN
-8	TERM WITH 4.0 BRASS CHAIN
-9	TERM WITH 4.0 NYLON CHAIN
-10	TERM WITH 10.0 BRASS CHAIN
-11	TERM WITH 10.0 NYLON CHAIN
-12	TERM WITH 2.5 SST ROPE
-13	TERM WITH 3.0 SST ROPE
-14	TERM WITH 6.0 SST ROPE

TABLE 2			
DASH NO	"A" DIM	"B" DIM	"C" DIM
-D2	.630	.750	1.066
-D3	.505	.625	.941
-D5	.380	.500	.816
-D8	.610	.750	1.066

INCH		MM	
.005	0.13	.56	14.22
.010	0.25	.610	15.49
.030	0.76	.625	15.88
.032	0.83	.630	16.00
.062	1.57	.750	19.05
.140	3.58	.816	20.73
.200	5.08	.941	23.90
.250	6.35	1.066	27.08
.290	7.37	1.146	29.11
.375	9.53	2.5	63.50
.380	9.65	3.0	76.20
.406	10.31	4.0	101.60
.460	11.68	6.0	152.40
.500	12.70	10.0	254.00
.505	12.83		

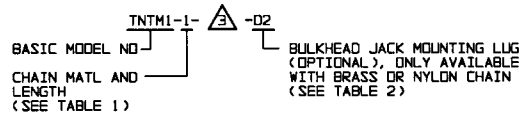
DWG SIZE: C
 DATA CONTAINED IN THIS DOCUMENT IS PROPRIETARY TO TROMPETER ELECTRONICS INC. AND SHALL NOT BE DISCLOSED, COPIED OR USED FOR REPRODUCTION OR MANUFACTURE WITHOUT EXPRESS WRITTEN PERMISSION.

REVISIONS			310-0048		SH 1
REV	EO	DESCRIPTION	DWN	APPROVED	DATE
C	11004	ADDED "SST ROPE" AND "D" LUG OPTIONS; ADDED "S" FOR SHORTED TO INNER SHIELD; DRAWING NUMBER WAS 3100-0048; GENERAL UPDATE; REDRAWN; SEE ECD	DKC	Bm, Ja	12/19/94



6. IF SAFETY WIRE TYPE REQ'D ADD SUFFIX "S" TO MODEL NO (I.E. TNTMS1)

5. EXAMPLE OF COMPLETE MODEL NO:

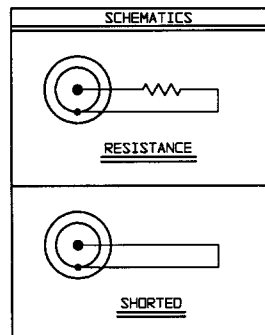


4. PIN CONTACT TTM SERIES CONCENTRIC TWINAX/TRIAX THREADED SUBMINIATURE TERMINATED CABLE PLUG

^A RESISTANCE VALUE IN OHMS (1/8, 1/2) *S* = SHORTED TO INNER SHIELD (NO RESISTOR) 4

2. FINISH: TFS-1A (NICKEL)

1. ALL DIM ARE IN INCHES



QTY	DESCRIPTION	PART NUMBER	ITEM
TOL UNLESS SPECIFIED +.001 ± .005 ± ANGLES	TROMPETER RF connectivity	TNTM1/TNTMS1	
DWN DKC 12-18-94	MATERIAL	CODE IDENT 14949	DRAWING NO. 3100-0048
CHK Bm 12-19-94	ENGR	DATE	REV C
ENGR	APPR JZ 12/19/94	SCALE 4/1	SHEET 1 OF 2